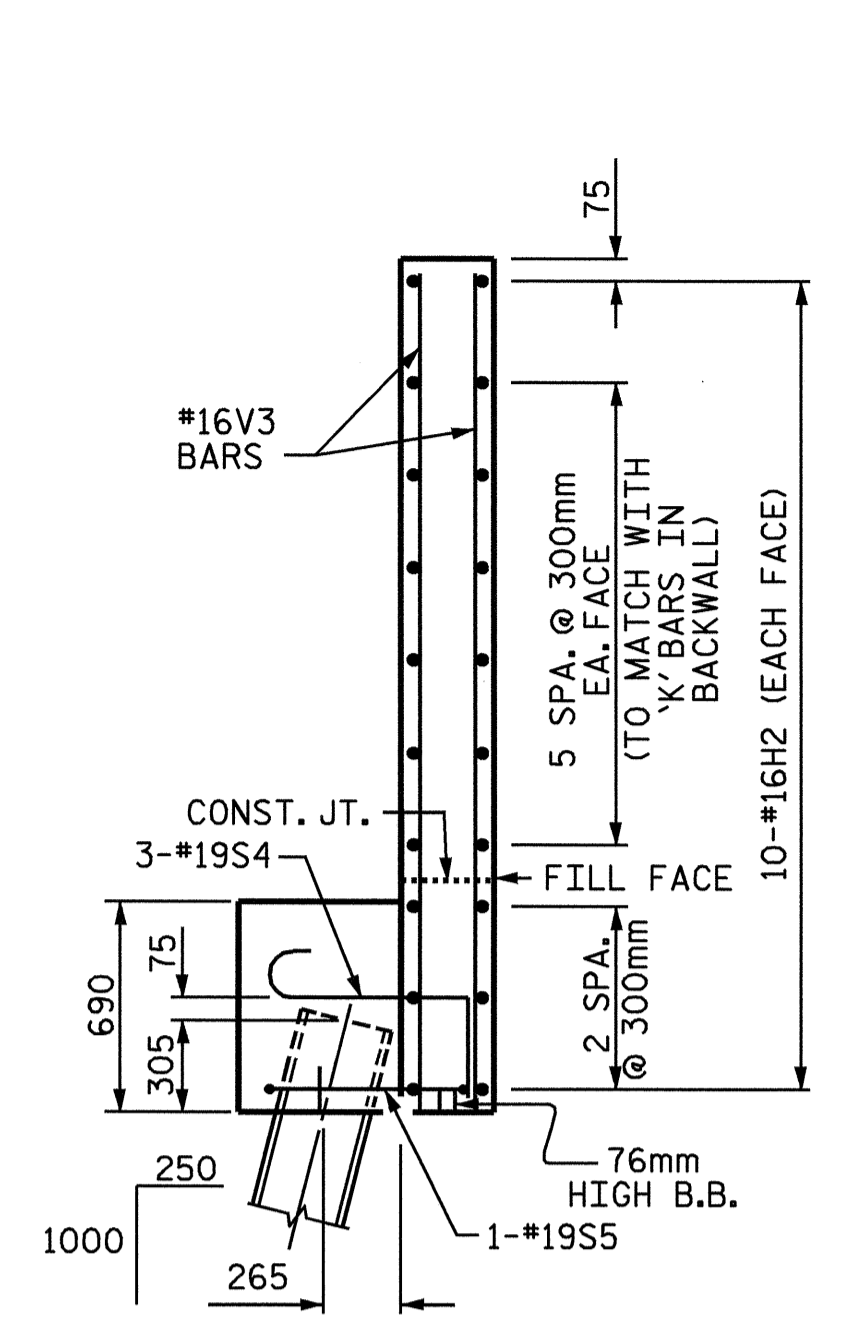
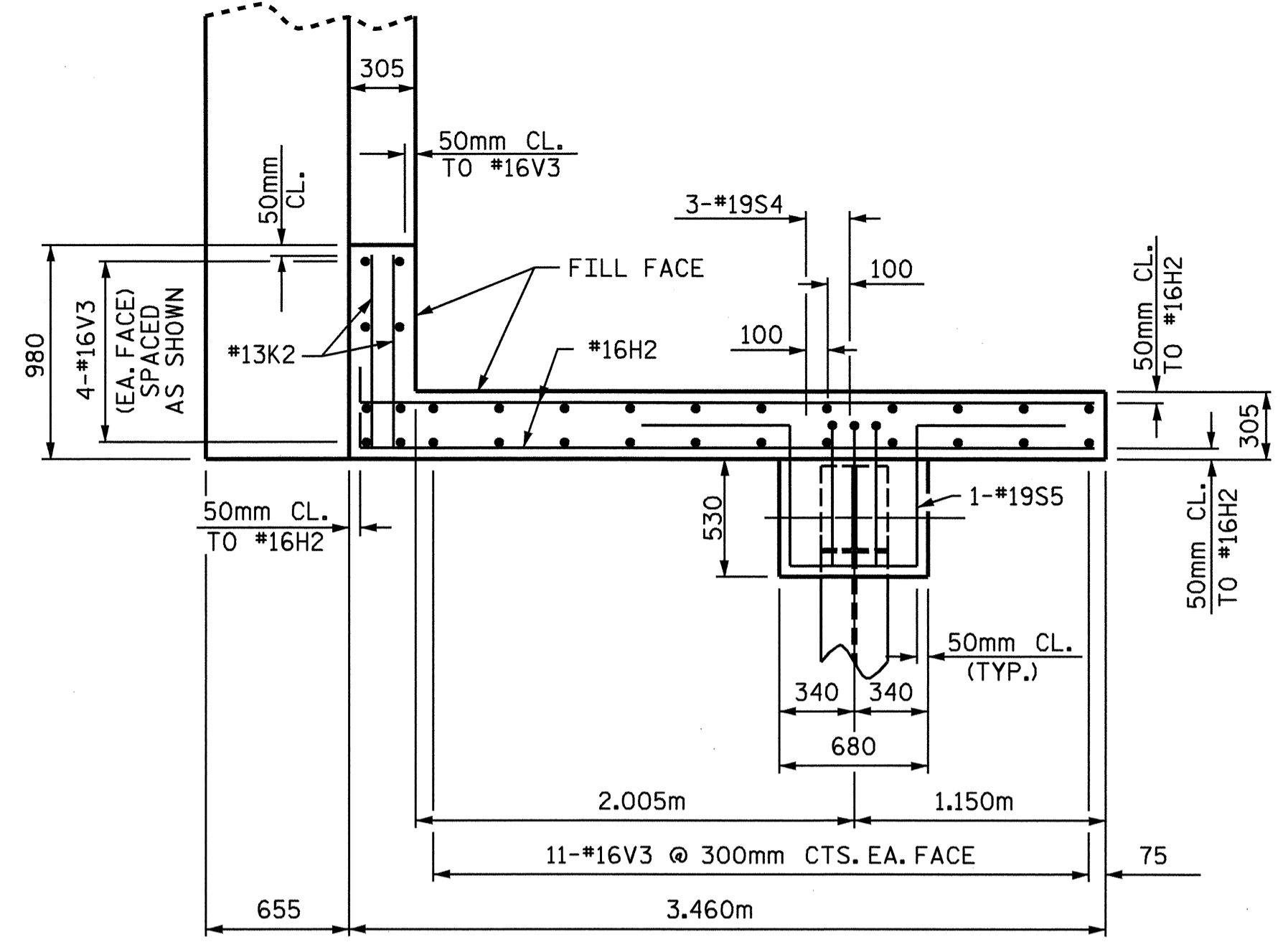


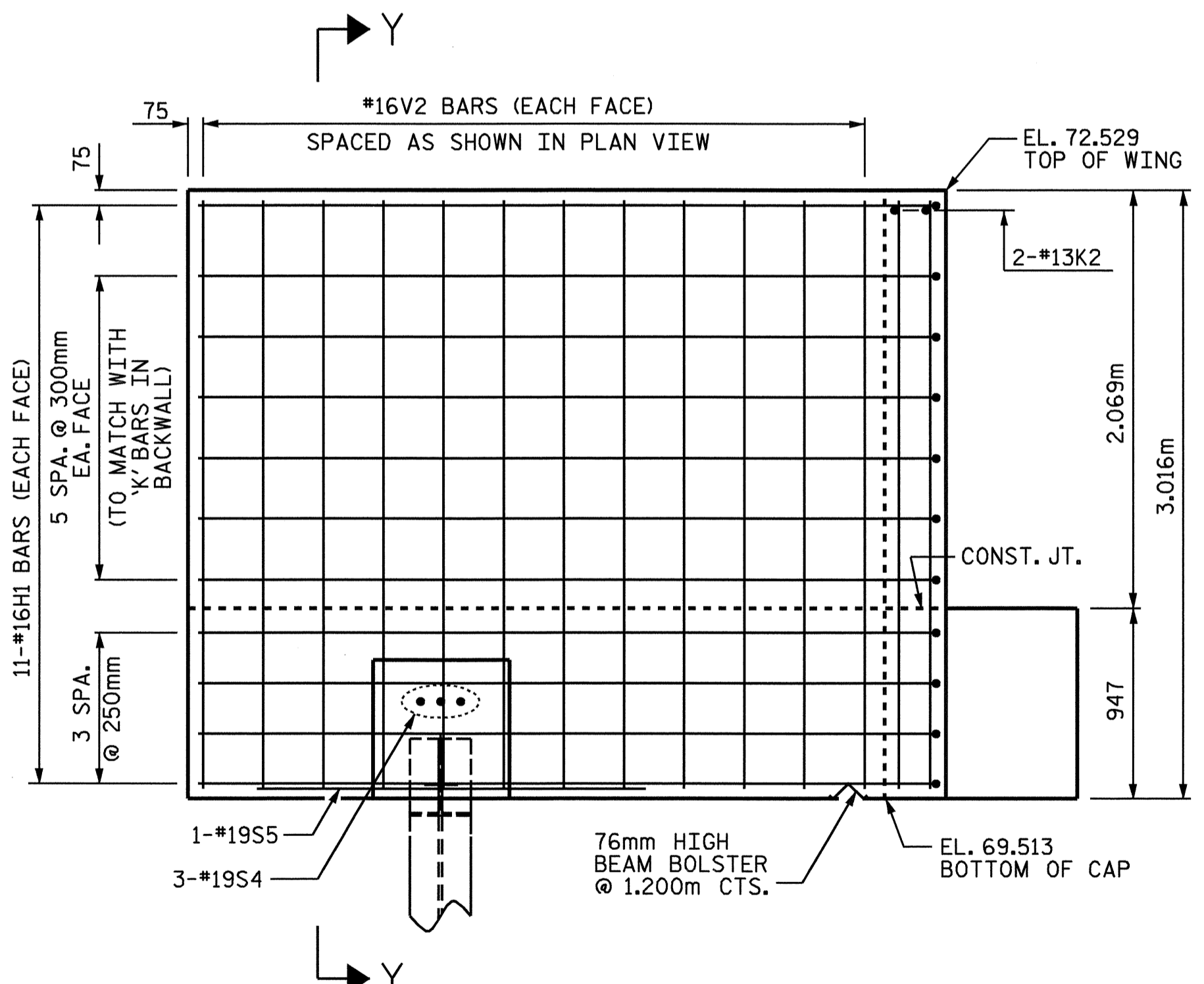
PLAN OF WING W1



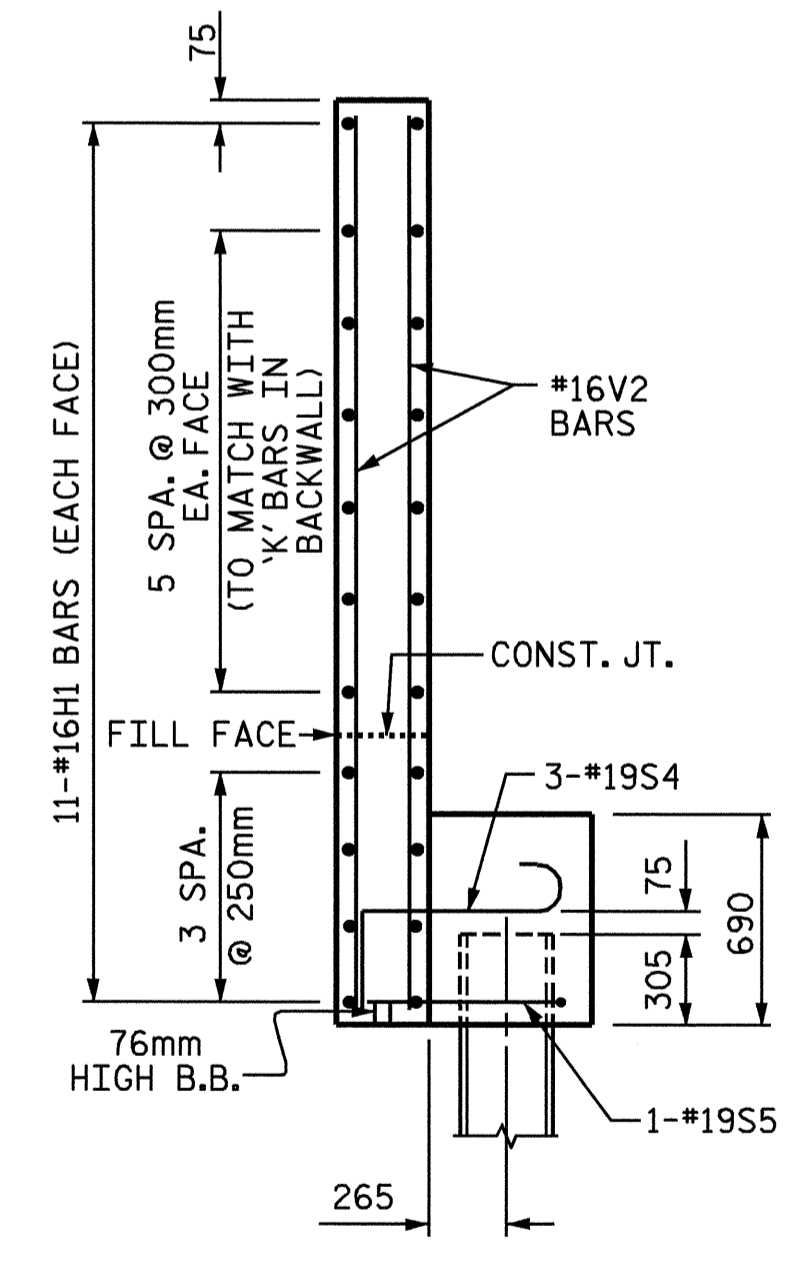
SECTION X-X



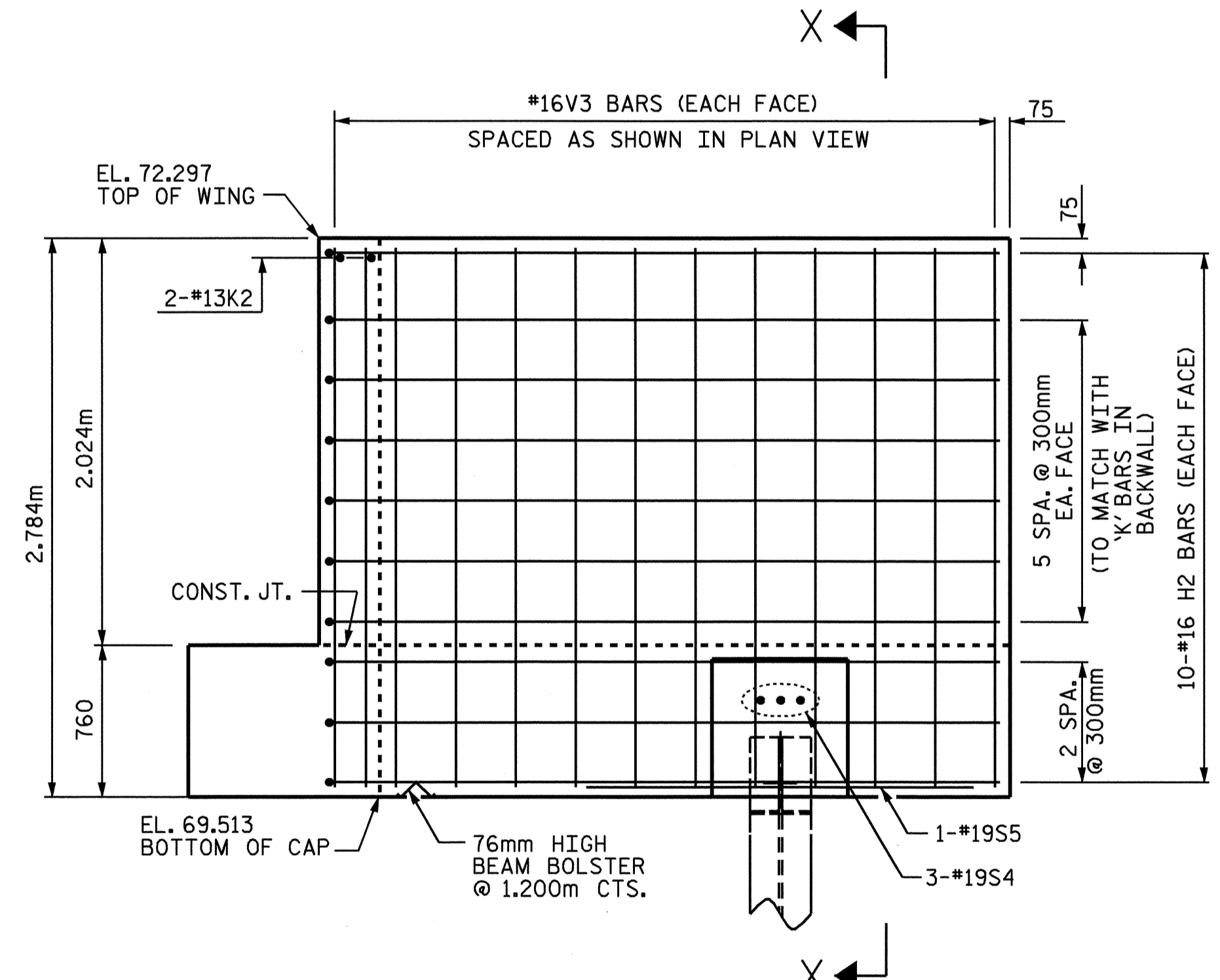
PLAN OF WING W2



ELEVATION OF WING W1



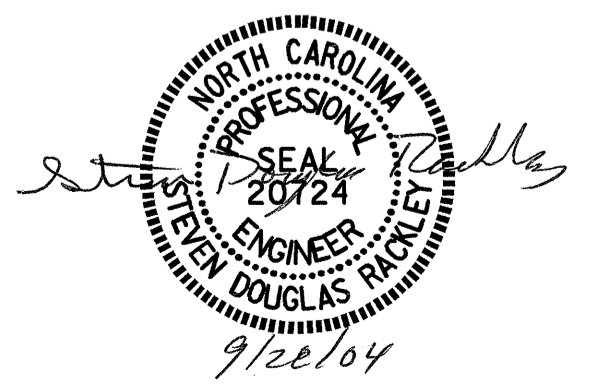
SECTION Y-Y



ELEVATION OF WING W2

PROJECT NO. B-3376
 WAKE COUNTY
 STATION 12+90.000 -L-

SHEET 2 OF 3
 STATE OF NORTH CAROLINA
 DEPARTMENT OF TRANSPORTATION
 RALEIGH
 SUPERSTRUCTURE
 END BENT #2



DRAWN BY: Kelth D. Layne DATE: 6-22-04
 CHECKED BY: H.A.L. DATE: 6-28-04

| REVISIONS | | | | | | SHEET NO. | |
|-----------|-----|-------|-----|-----|-------|--------------|--|
| NO. | BY: | DATE: | NO. | BY: | DATE: | S-17 | |
| 1 | | | 3 | | | TOTAL SHEETS | |
| 2 | | | 4 | | | 23 | |