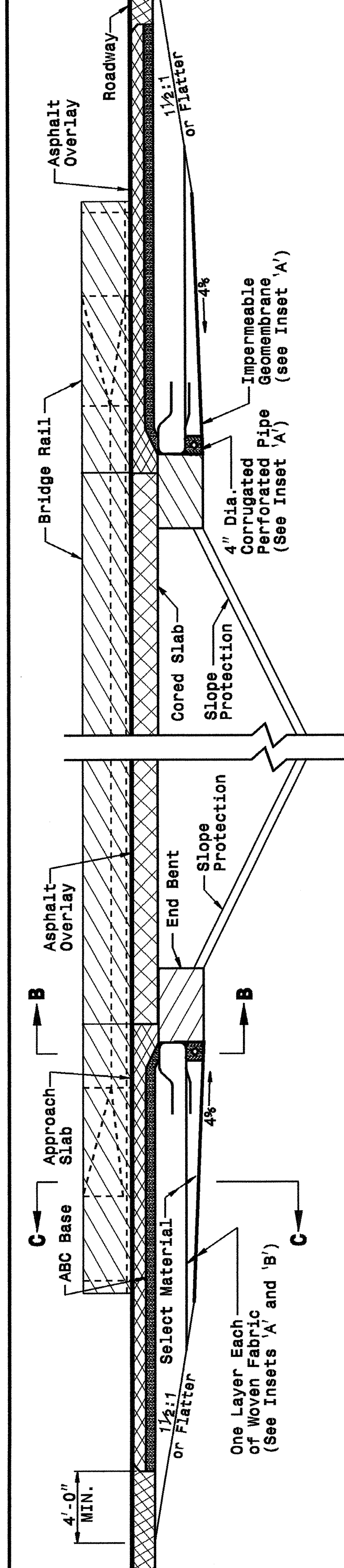


25-OCT-2004 09:46 \\server\d\stds\02\stds to Special Details\english\422d10\0422d10.dgn  
 erl\stds\02\stds to Special Details\english\422d10\0422d10.dgn

STATE OF NORTH CAROLINA  
 DEPT. OF TRANSPORTATION  
 DIVISION OF HIGHWAYS  
 RALEIGH, N.C.



ENGLISH DETAIL DRAWING FOR  
**REINFORCED BRIDGE APPROACH FILLS**  
 CORED SLAB BRIDGES

ENGLISH DETAIL DRAWING FOR  
**REINFORCED BRIDGE APPROACH FILLS**  
 CORED SLAB BRIDGES

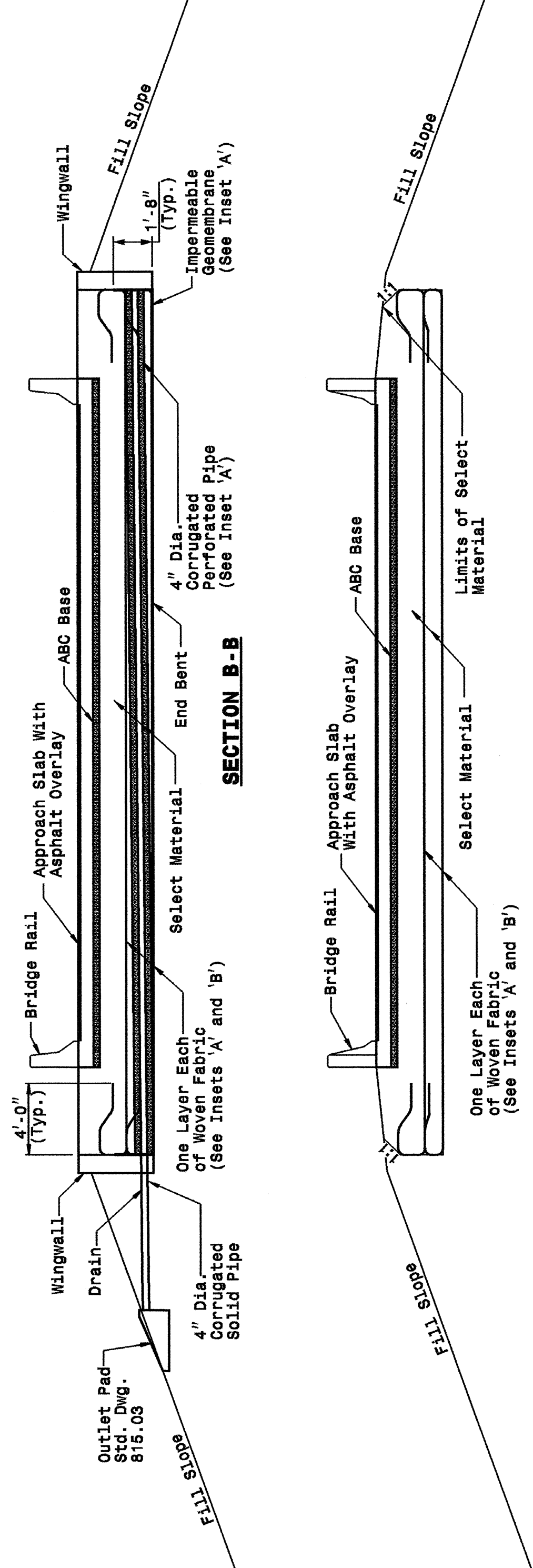
SHEET 3 OF 4  
**422D10**

SHEET 3 OF 4  
**422D10**

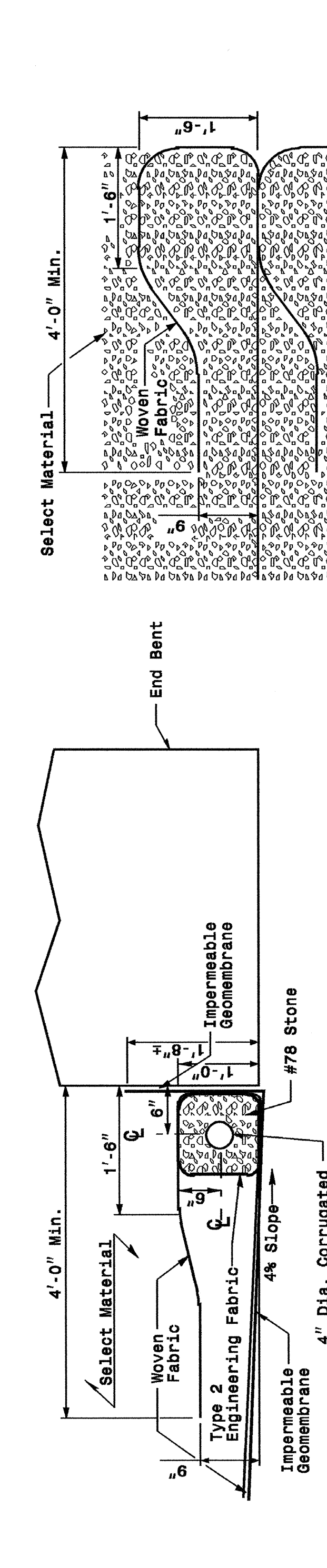
**SECTION A-A**

**SECTION B-B**

**SECTION C-C**



STATE OF NORTH CAROLINA  
 DEPT. OF TRANSPORTATION  
 DIVISION OF HIGHWAYS  
 RALEIGH, N.C.



ENGLISH DETAIL DRAWING FOR  
**REINFORCED BRIDGE APPROACH FILLS**  
 INSETS AND CHARTS

ENGLISH DETAIL DRAWING FOR  
**REINFORCED BRIDGE APPROACH FILLS**  
 INSETS AND CHARTS

SHEET 4 OF 4  
**422D10**

SHEET 4 OF 4  
**422D10**

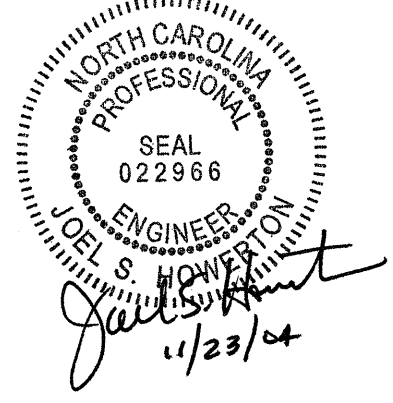
**Typical Fabric Lift and Wrap**  
 Showing Second and Above Lifts

Height of Backwall	Number of Fabric Layers
4'-6" - 5'-9"	3
5'-10" - 7'-2"	4
7'-3" - 8'-8"	5
8'-9" - 10'-1"	6
10'-2" - 11'-8"	7

Note: Cored Slab Structures Require 2 Fabric Layers.

**Inset 'A'**  
 Length of Bridge End Bent Inside Wingwalls  
 If Bridge Skew is Less Than or Equal to 90°:  
 (Roadway Width + 7'-0") = Dis. Between Wingwalls  
 Sin (Bridge Skew Angle)

If Bridge Skew is Greater Than 90°:  
 (Roadway Width + 7'-0") = Dis. Between Wingwalls  
 Cos (Bridge Skew Angle - 90°)



**PROJECT SERVICES UNIT**  
**STANDARDS AND SPECIAL DESIGN**  
 Office 919-250-4128 FAX 919-250-4119

**SEE PLATE FOR TITLE**

ORIGINAL BY: 2002 STANDARDS DATE: 01-15-02  
 MODIFIED BY: E.E. WARD DATE: 10-05-04  
 CHECKED BY: DATE:  
 FILE SPEC.: stds/02stdstodetails/english/422d10.dgn