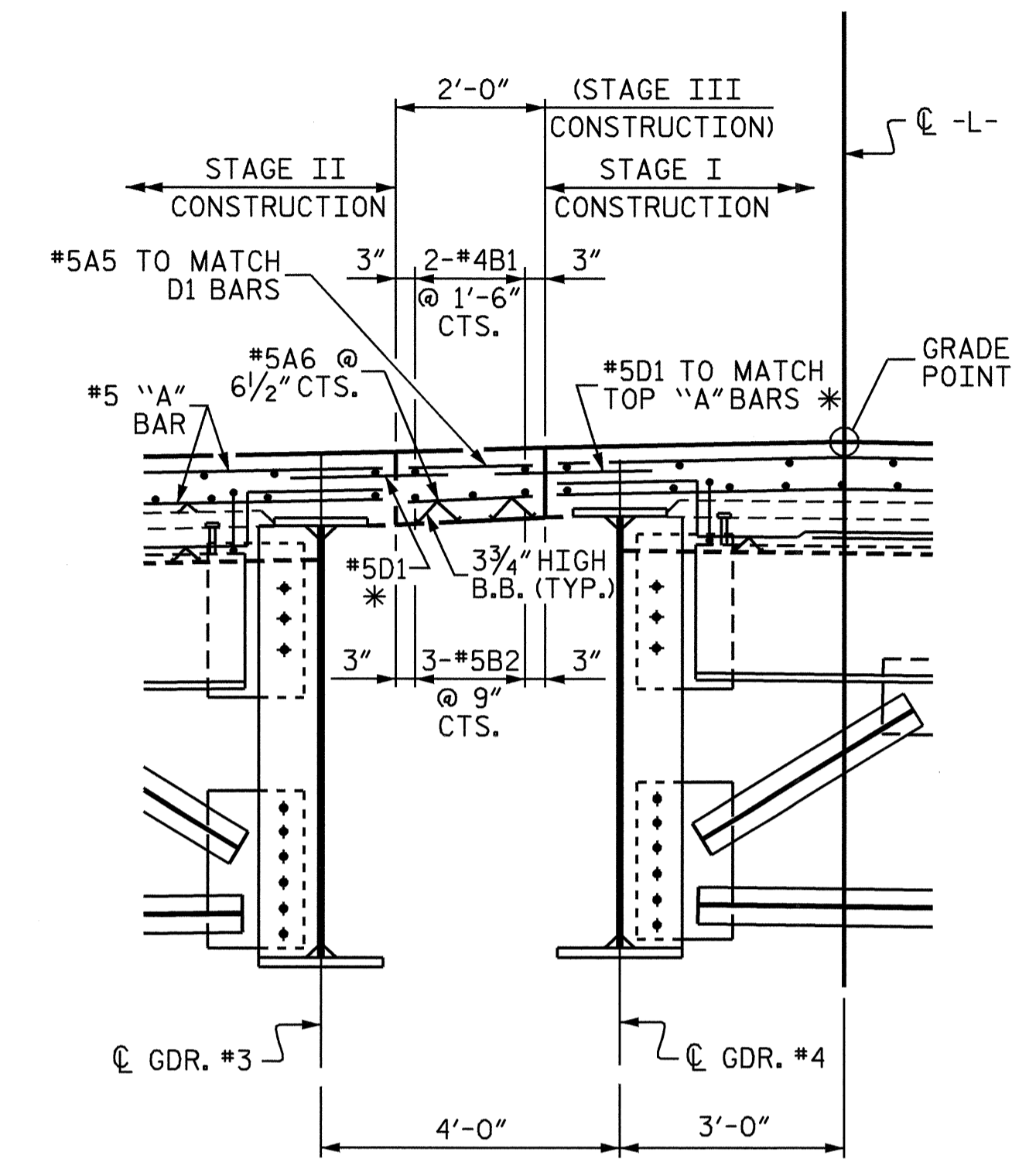
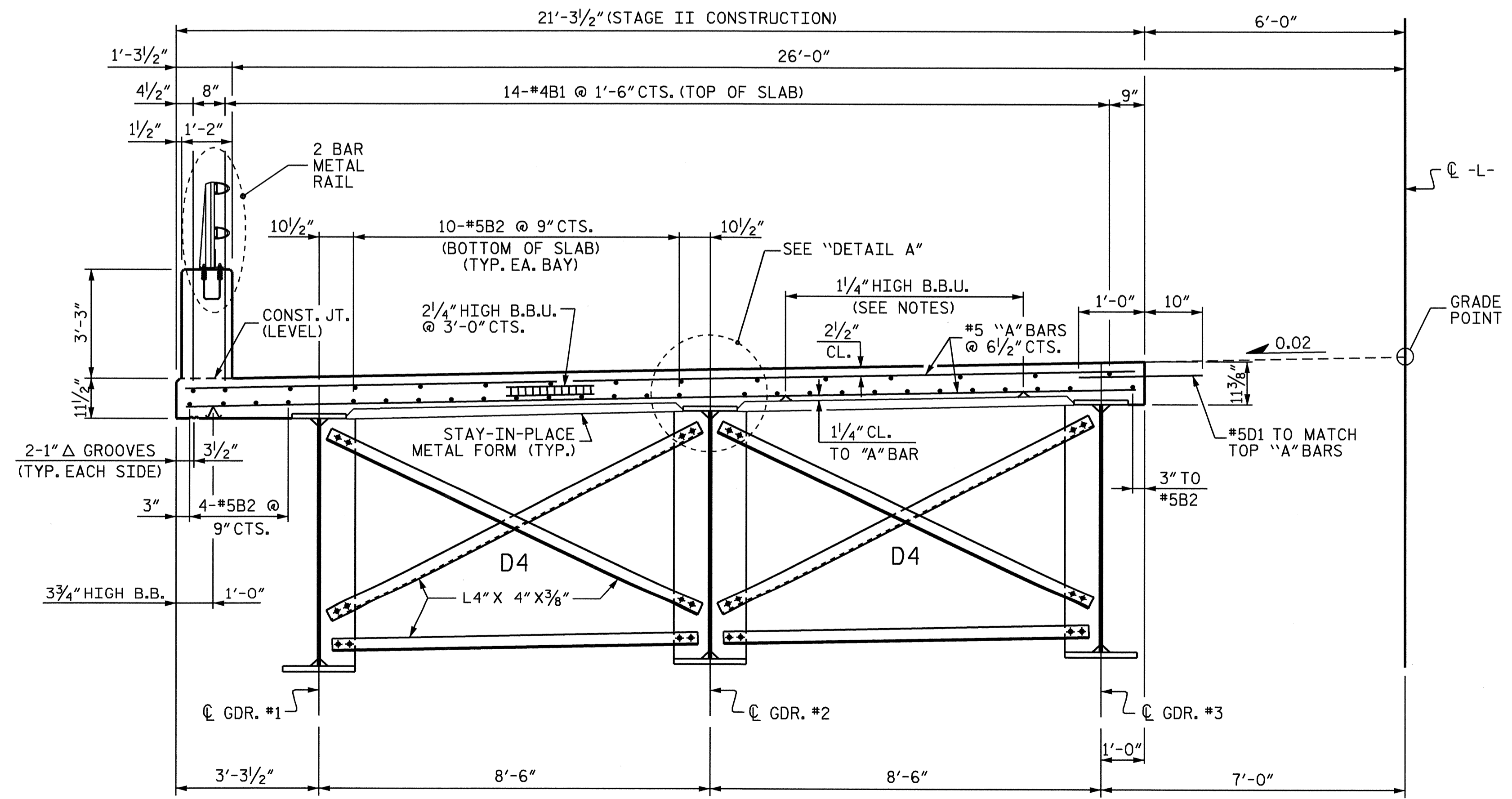


TYPICAL SECTION - STAGE II
(SHOWING END BENT DIAPHRAGMS)



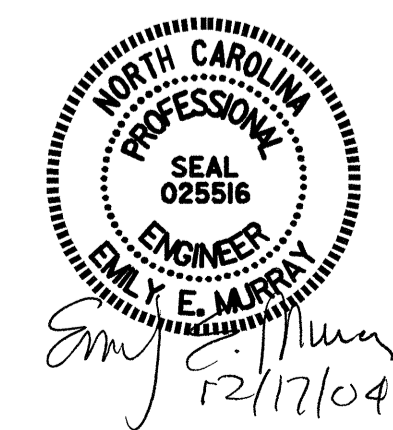
PARTIAL TYPICAL SECTION
(SHOWING CLOSURE POUR)
* DOWELS SHALL BE PLACED IN THE SAME HORIZONTAL PLANE AS THE TOP SLAB REINFORCING STEEL



TYPICAL SECTION - STAGE II
(SHOWING INTERMEDIATE DIAPHRAGMS)

DRAWN BY : M. M. PARSONS DATE : 6/2/04
CHECKED BY : W. D. CRUTCHER DATE : 10/04

17-DEC-2004 15:00
w:\squadd\B3375\Final Plans\str *1\B3375.ed.TS_01.dgn
dcrutcher



PROJECT NO. B-3375
WAKE COUNTY
STATION: 43+81.84 -L-

SHEET 2 OF 3

STATE OF NORTH CAROLINA
DEPARTMENT OF TRANSPORTATION
RALEIGH
SUPERSTRUCTURE
TYPICAL SECTION
& DETAILS
(STAGE II/III CONSTRUCTION)

REVISIONS						SHEET NO.	
NO.	BY:	DATE:	NO.	BY:	DATE:	S-7	
1			3			TOTAL SHEETS	
2			4			37	

STR. #1