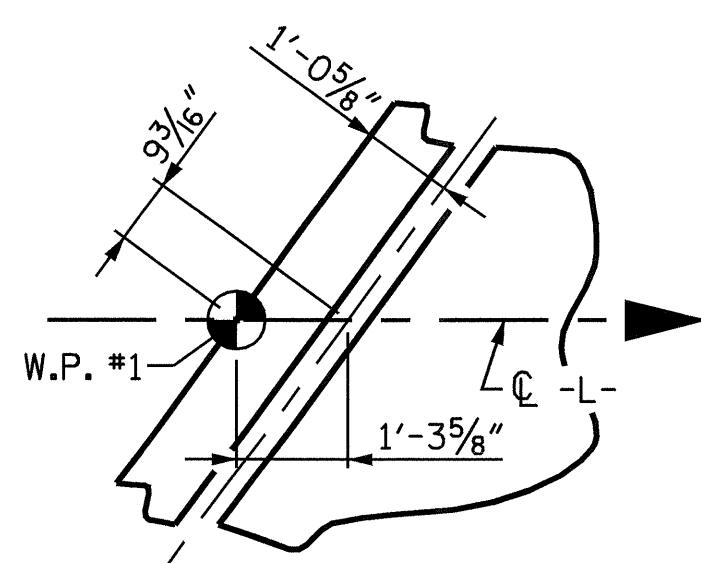


PLAN OF SPAN "A"  
(STAGE I CONSTRUCTION)



DETAIL B  
(END BENT #1 SHOWN,  
END BENT #2 SIMILAR)

PROJECT NO. B-3375

WAKE COUNTY

STATION: 43+81.84 -L-

SHEET 1 OF 2

STATE OF NORTH CAROLINA  
DEPARTMENT OF TRANSPORTATION  
RALEIGH

SUPERSTRUCTURE

PLAN OF SPAN "A"

(STAGE I CONSTRUCTION)



*Emily E. Murray*  
12/17/04

REVISIONS						SHEET NO.	
NO.	BY:	DATE:	NO.	BY:	DATE:	S-9	
1			3			TOTAL SHEETS	
2			4			37	

DRAWN BY: M. M. PARSONS DATE: 9/9/04  
CHECKED BY: W. D. CRUTCHER DATE: 10/04

17-DEC-2004 11:22  
w:\squad\lb3375\Final Plans\str #1\B3375.ed.PS\_01.dgn  
dcrutcher

STR. #1