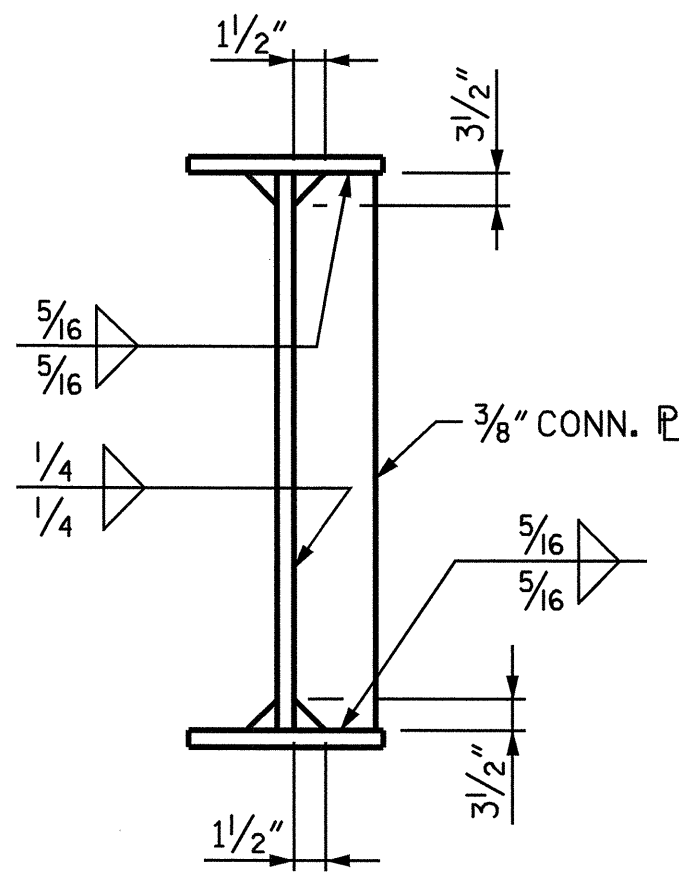
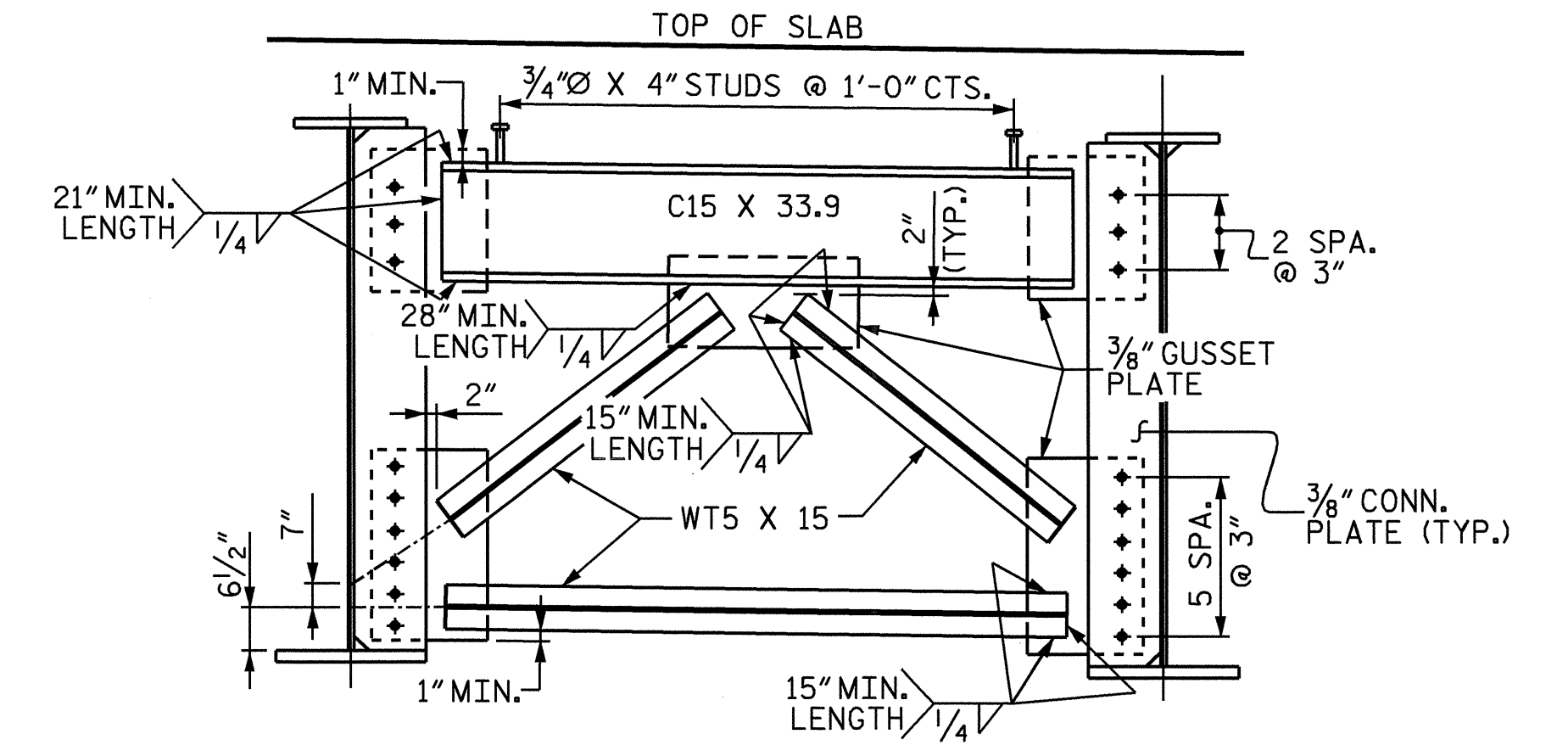


BEARING STIFFENER

(@ END BENTS)

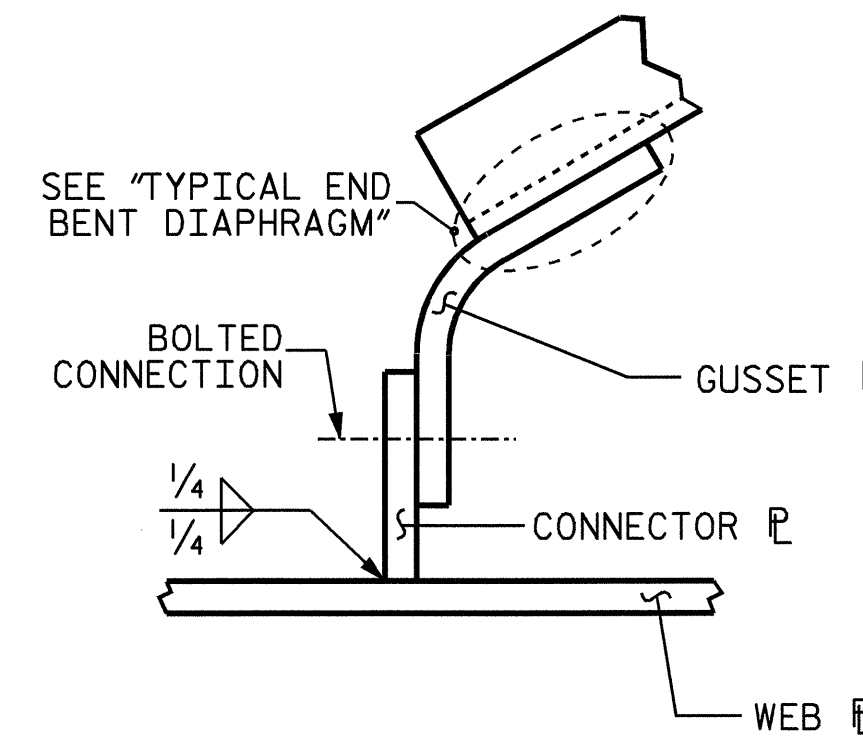


TYPICAL DIAPHRAGM CONNECTOR PLATE

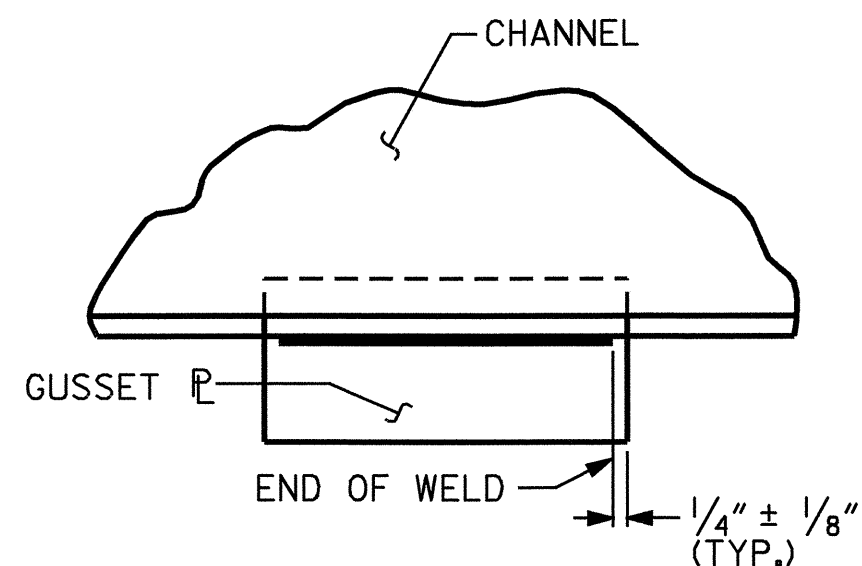


TYPICAL END BENT DIAPHRAGM

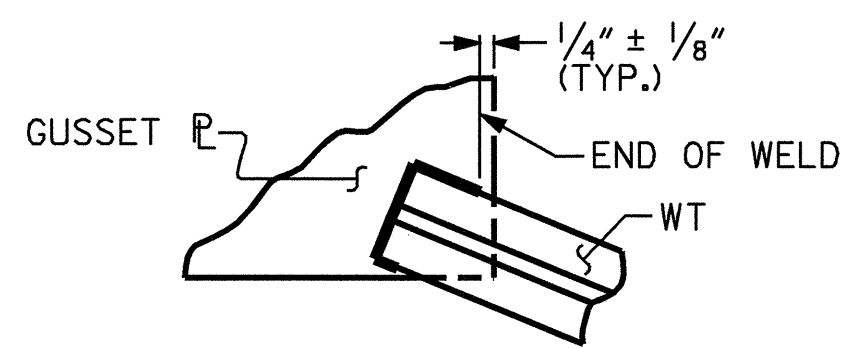
(D1 & D3)



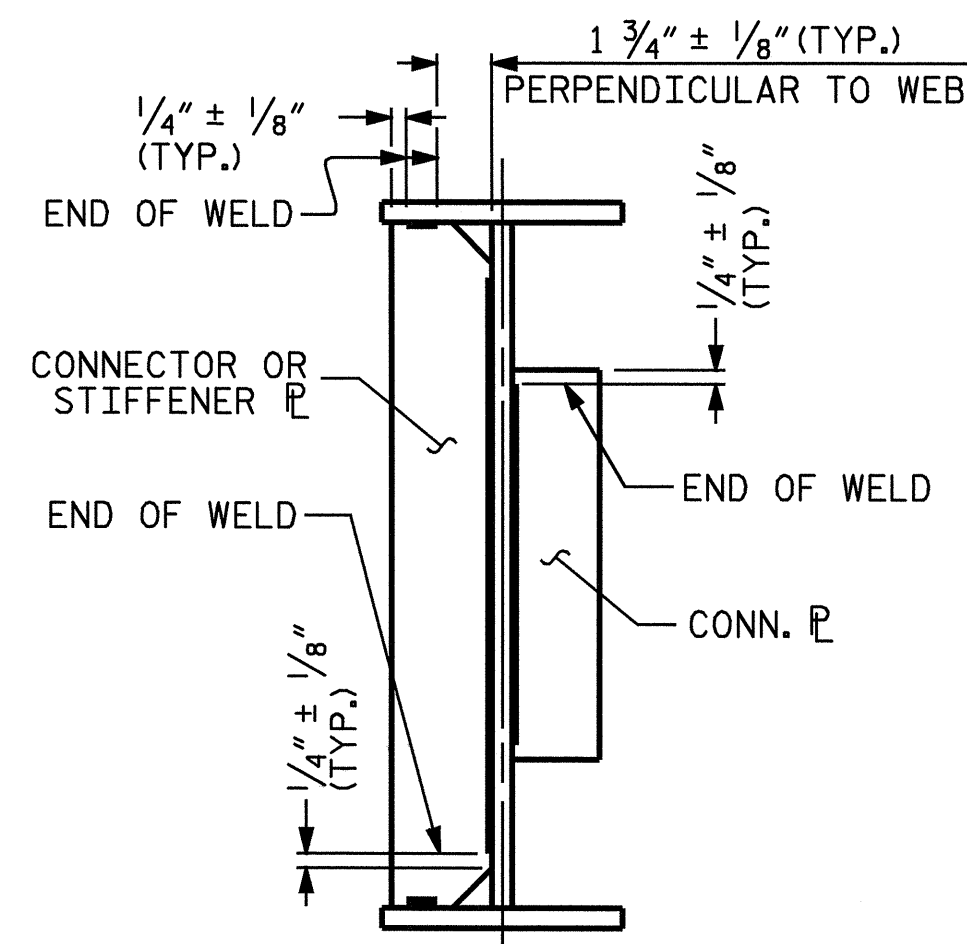
CONN C / GUSSET DETAIL



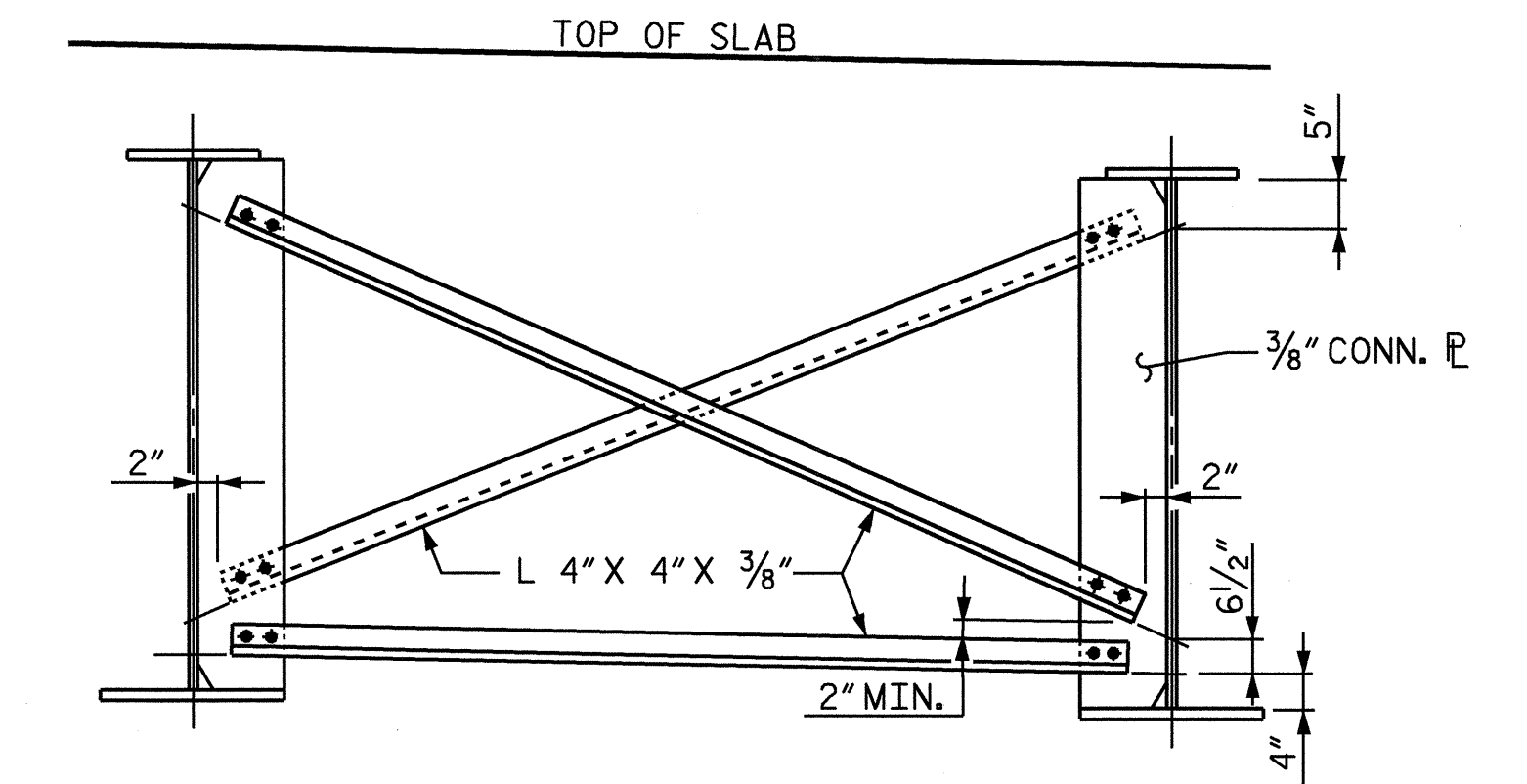
TYPICAL GUSSET PLATE CONNECTION



TYPICAL "TEE" TO GUSSET PLATE CONNECTION



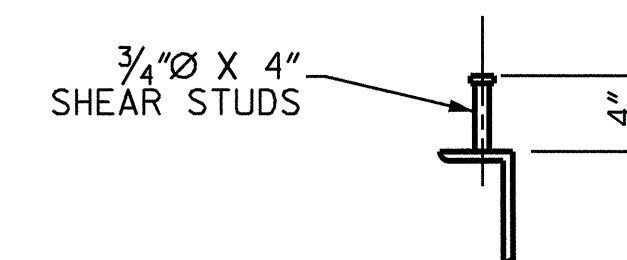
TYPICAL STIFFENER OR CONNECTOR PLATE CONNECTIONS



TYPICAL INTERMEDIATE DIAPHRAGM

(D2 & D4)

WELD TERMINATION DETAILS



SHEAR STUD DETAILS

(@ CHANNELS)

PROJECT NO. B-3375

WAKE COUNTY

STATION: 43+81.84 -L-

SHEET 2 OF 3

STATE OF NORTH CAROLINA
DEPARTMENT OF TRANSPORTATION
RALEIGH
SUPERSTRUCTURE

**STRUCTURAL STEEL
DETAILS**

REVISIONS

NO.	BY:	DATE:	NO.	BY:	DATE:	SHEET NO.
1			3			S-13
2			4			TOTAL SHEETS
						37



Emily E. Murrey
12/17/04

DRAWN BY : M. M. PARSONS DATE : 9/30/04
CHECKED BY : W. D. CRUTCHER DATE : 10/04

16-DEC-2004 16:00
w:\squad\b3375\Final Plans\str *1\B3375_ed_SS_01.dgn
crutcher

STR. #1