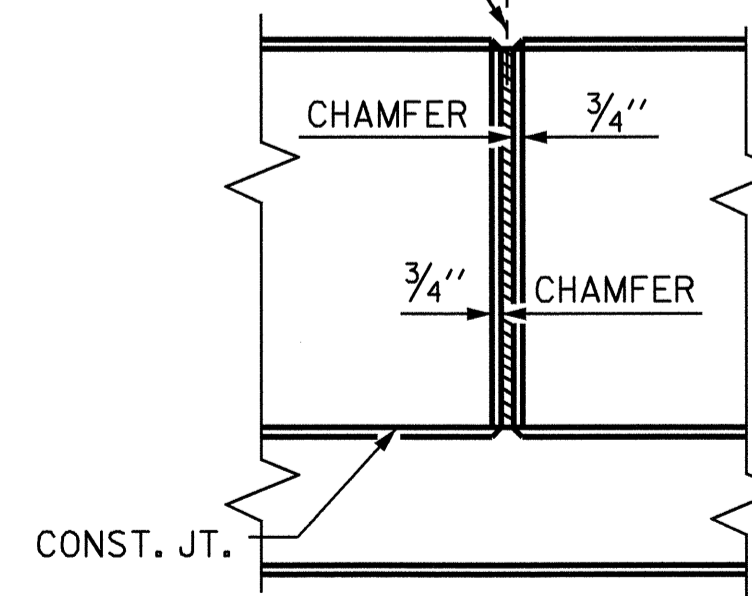


PLAN OF PARAPET

C 1/2" EXP. JT. MAT'L HELD IN PLACE WITH GALVANIZED NAILS.  
(NOTE: OMIT EXP. JT. MAT'L. WHEN SLIP FORM IS USED.)



ELEVATION AT EXPANSION JOINTS

PROJECT NO. B-3375  
WAKE COUNTY  
STATION: 43+81.84 -L-

SHEET 1 OF 2

STATE OF NORTH CAROLINA  
DEPARTMENT OF TRANSPORTATION  
RALEIGH

SUPERSTRUCTURE

CONCRETE PARAPET



Emily E. Murrey  
12/17/04

DRAWN BY: M. M. PARSONS DATE: 10/21/04  
CHECKED BY: W. D. CRUTCHER DATE: 10/04

16-DEC-2004 15:29  
w:\squadq\b3375\Final Plans\str \*1\B3375-ed.MR\_01.dgn  
dcrutcher

REVISIONS						SHEET NO.	
NO.	BY:	DATE:	NO.	BY:	DATE:	S-21	
1			3			TOTAL SHEETS	
2			4			37	

STR. #1