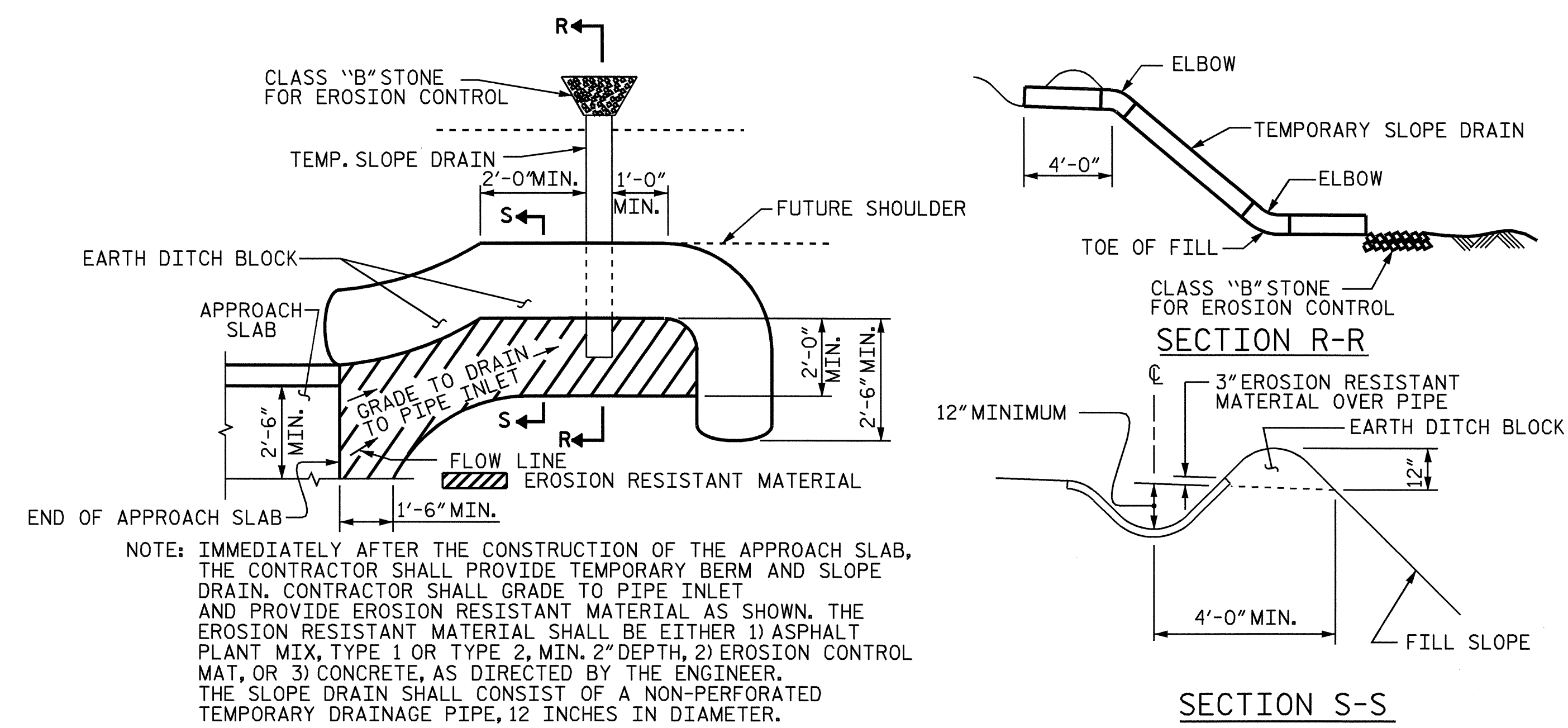


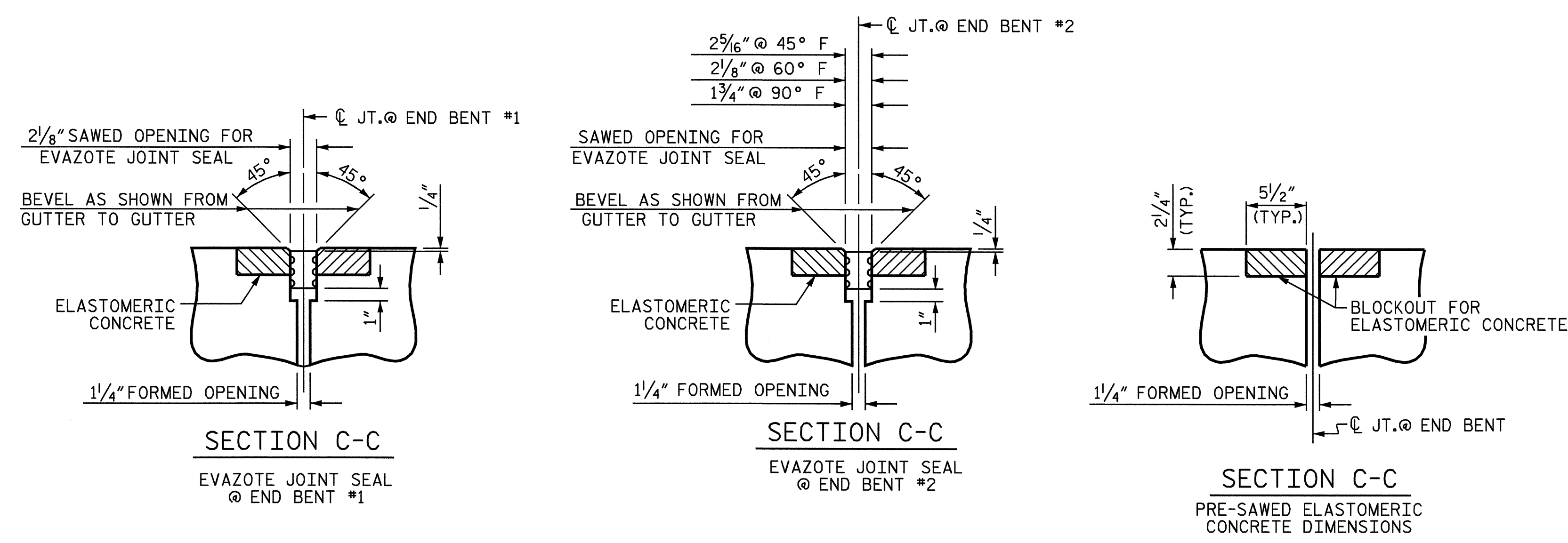
PLAN



PLAN VIEW

SECTION S-S

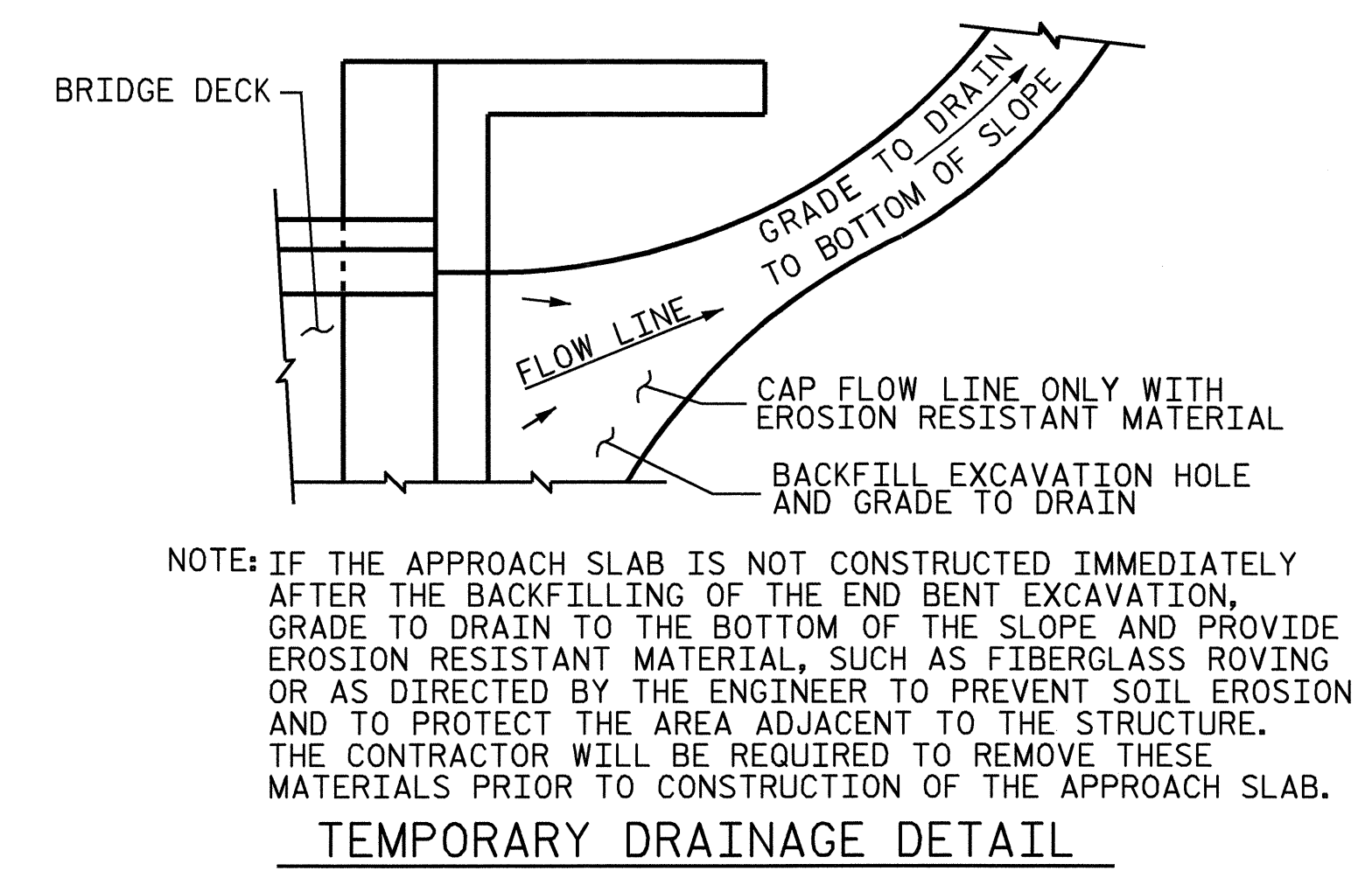
TEMPORARY BERM AND SLOPE DRAIN DETAILS



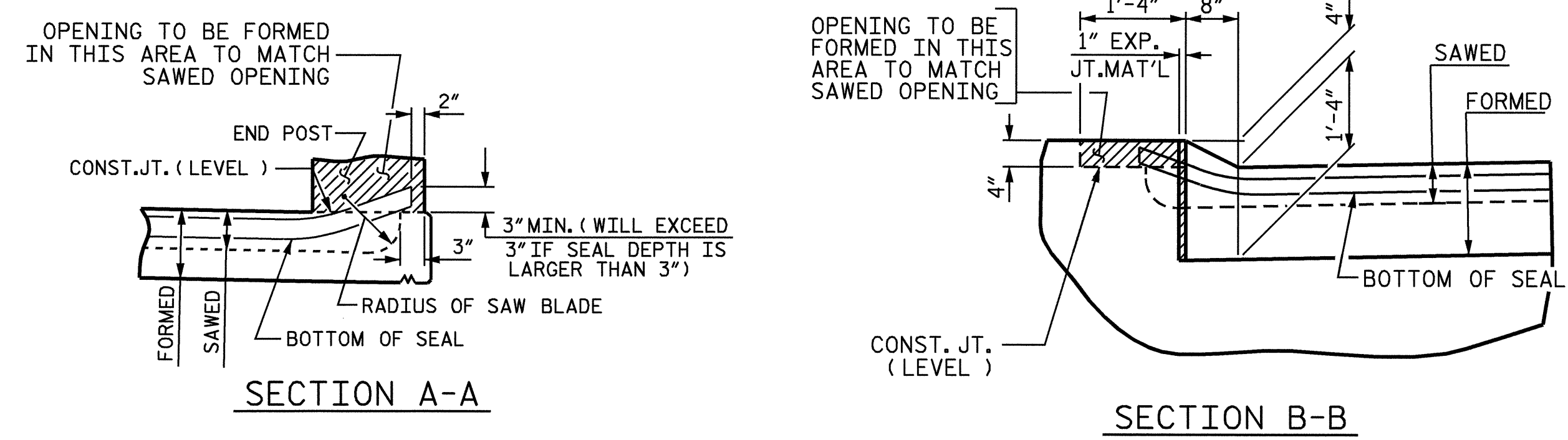
SECTION C-C

SECTION C-C

SECTION C-C



TEMPORARY DRAINAGE DETAIL



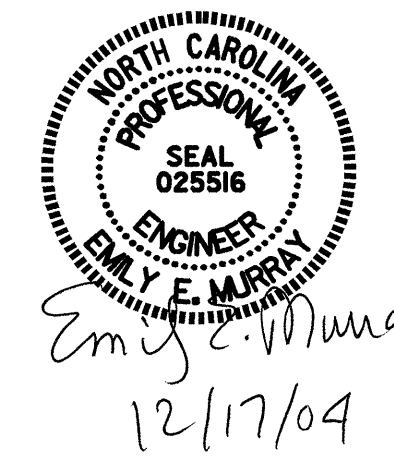
SECTION A-A

SECTION B-B

JOINT SEAL DETAILS @ END BENT  
(FOR METAL RAILS WITH CURB)

ELASTOMERIC CONCRETE  
BILL OF MATERIAL

	STAGE I	STAGE II
END BENT NO.	ELASTOMERIC CONCRETE (CU. FT.)	ELASTOMERIC CONCRETE (CU. FT.)
1	6.4	4.7
2	6.4	4.7
TOTAL	12.8	9.4



PROJECT NO. B-3375  
WAKE COUNTY  
STATION: 43+81.84 -L-  
SHEET 3 OF 3

STATE OF NORTH CAROLINA  
DEPARTMENT OF TRANSPORTATION  
RALEIGH

BRIDGE APPROACH  
SLAB DETAILS

REVISIONS						1988
NO.	BY:	DATE:	NO.	BY:	DATE:	SHEET NO.
1			3			S-37
2			4			TOTAL SHEETS 37

ASSEMBLED BY : C.MILLER DATE : 07-04  
CHECKED BY : T.AVERETTE DATE : 11-04  
DRAWN BY : FCJ 11/88 REV. 8/16/99 MAB/LES  
CHECKED BY : ARB 11/88 REV. 10/17/00 RWW/LES  
REV. 5/7/03 RWW/JTE