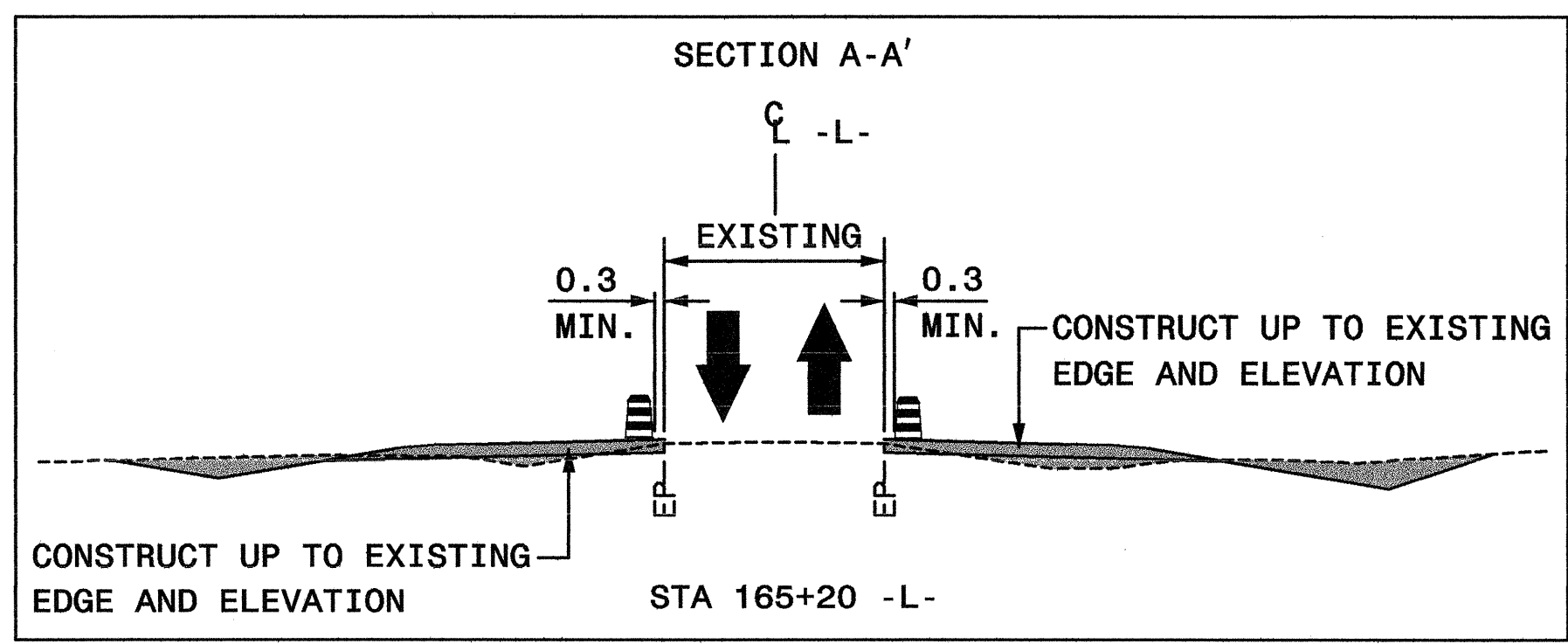
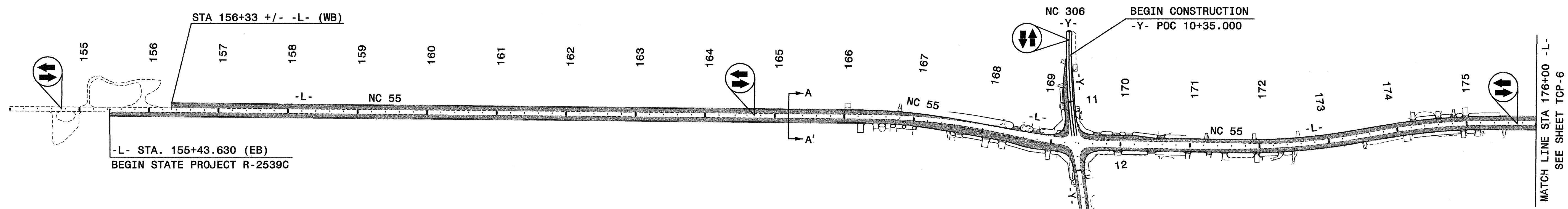
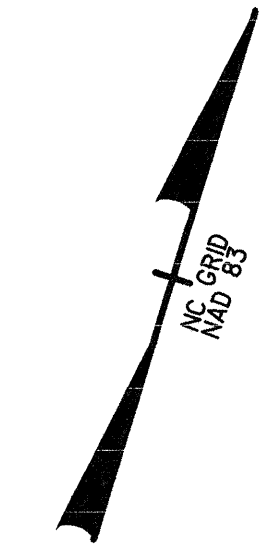




GREENHORNE & O'MARA, INC.
 5565 CENTERVIEW DRIVE, SUITE 107
 RALEIGH, NORTH CAROLINA 27606
 (919) 851-1919

PROJ. REFERENCE NO.	SHEET NO.
R-2539C	TCP-5



LEGEND

- = PROPOSED CONSTRUCTION AND/OR RESURFACING
- = WEDGING & WIDENING

APPROVED: <i>Donna C. Keener</i> DATE: 9-3-04		PHASE I OVERVIEW (A)											
	SCALE: NONE												
	DATE: 8/2/04			<table border="1"> <tr> <th colspan="2">REVISIONS</th> </tr> <tr> <td> </td> <td> </td> </tr> <tr> <td> </td> <td> </td> </tr> <tr> <td> </td> <td> </td> </tr> </table>		REVISIONS							
	REVISIONS												
DWG. BY: RPS/PMW	DESIGN BY: PMW												
REVIEWED BY: DCK	CADD FILE: OVERVIEW1A.DGN												

\$\$\$\$\$SYTIME\$\$\$\$\$
 \$\$\$USERNAME\$\$\$