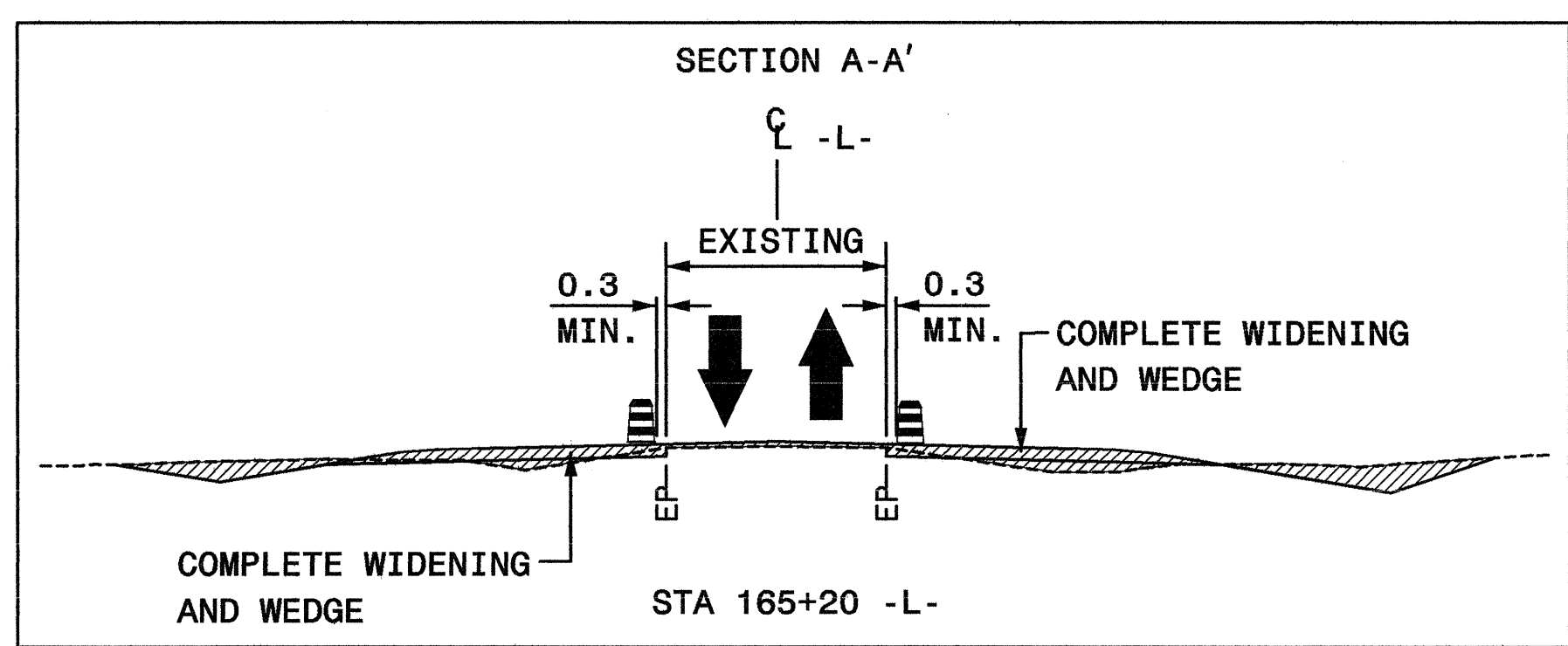
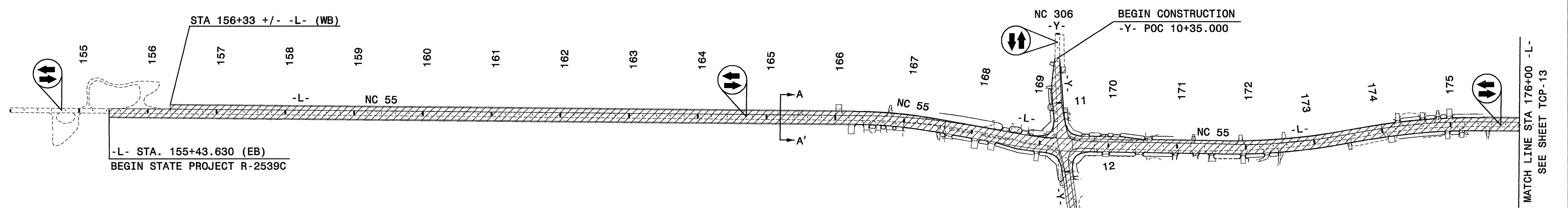
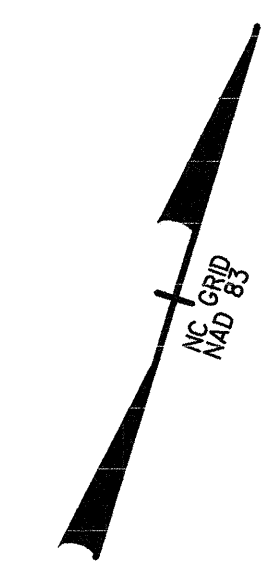




PROJ. REFERENCE NO. R-2539C SHEET NO. TCP-15
 GREENHORNE & O'MARA, INC.
 5565 CENTERVIEW DRIVE, SUITE 107
 RALEIGH, NORTH CAROLINA 27606
 (919) 851-1919



NOTE: THIS CUT SECTION IS TYPICAL FOR PHASE II CONSTRUCTION.

LEGEND

- = PROPOSED CONSTRUCTION AND/OR RESURFACING
- = WEDGING & WIDENING

APPROVED: <i>D. Keener</i> DATE: 9-3-04		PHASE II OVERVIEW (A)						
	SCALE: NONE							
	DATE: 8/2/04							
	DWG. BY: RPS/PMW							
	DESIGN BY: PMW							
REVIEWED BY: DCK	<table border="1" style="width: 100%; border-collapse: collapse;"> <thead> <tr> <th colspan="2">REVISIONS</th> </tr> </thead> <tbody> <tr> <td style="width: 50px;"> </td> <td> </td> </tr> <tr> <td> </td> <td> </td> </tr> </tbody> </table>		REVISIONS					
REVISIONS								
CADD FILE: OVERVIEW2A.DGN								

SYSTEMS: D:\PROJECTS\R-2539C\DRAWINGS\TCP-15.DWG
 USER: JSERNAME
 DATE: 8/2/04 10:00 AM