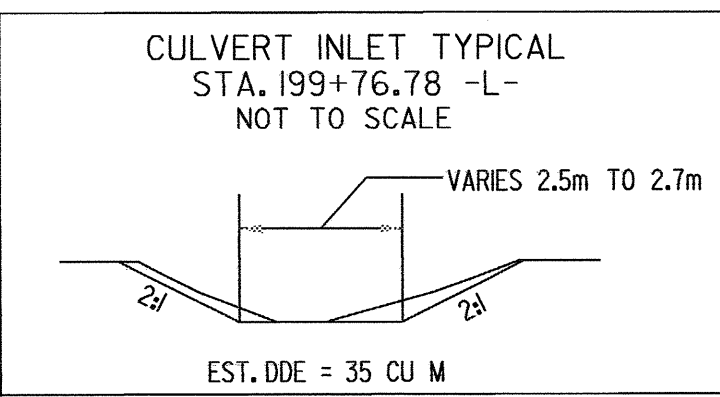
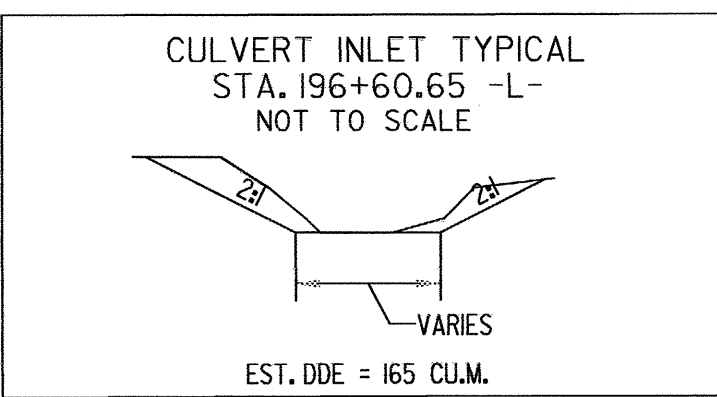


6/10/23



**METRIC**

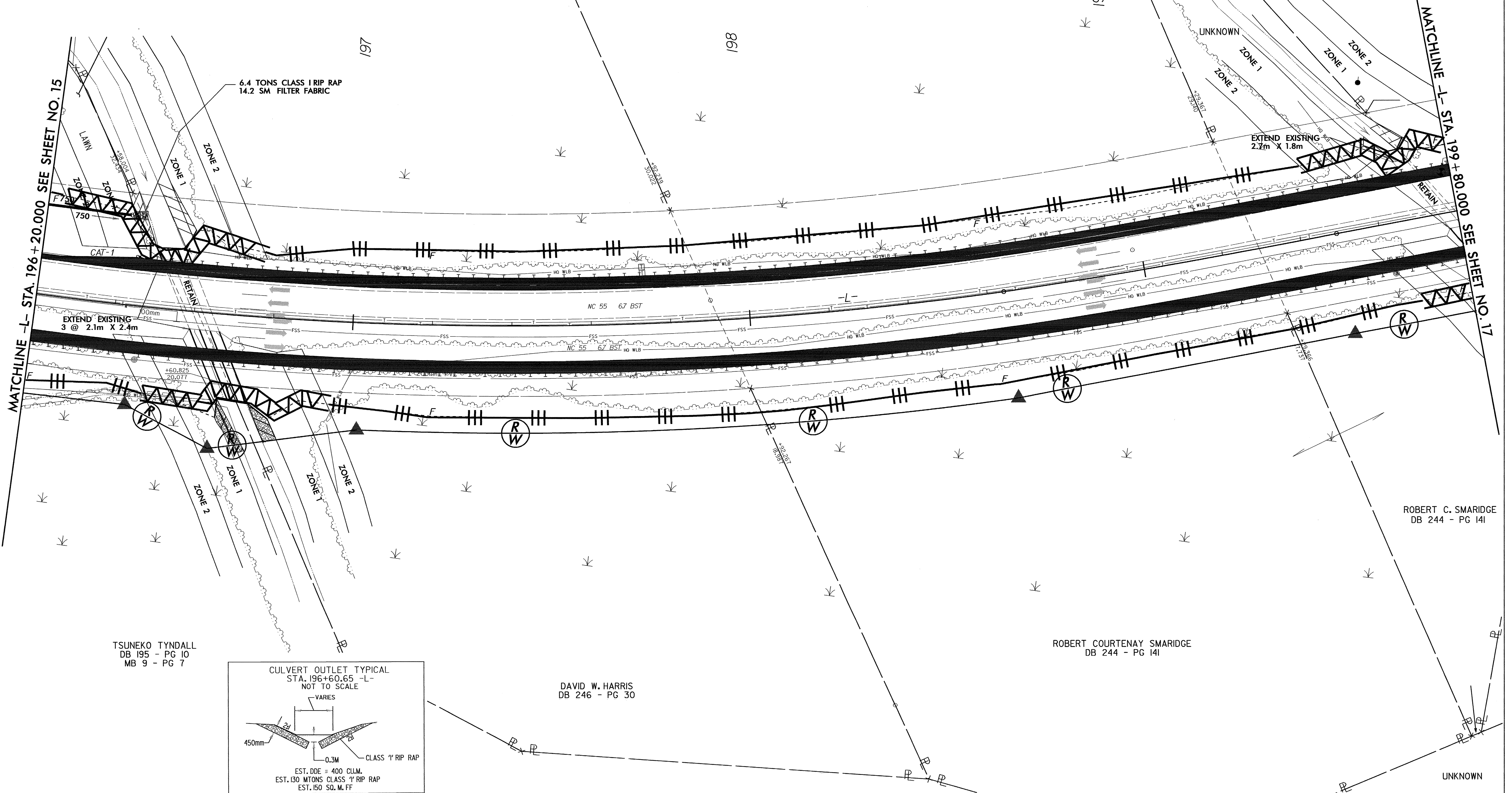
CONST. REV.  
R/W REV.

PROJECT REFERENCE NO. R-2539C	SHEET NO. EC-44/CONST.16
R/W SHEET NO.	
ROADWAY DESIGN ENGINEER	HYDRAULICS ENGINEER

**NOTE:**  
TEMPORARY SILT FENCE SHALL BE INSTALLED A MINIMUM OF 1 METER FROM TOE OF FILL IN WETLAND AREAS

JOHN H. HADEN, III, et ux  
DB 290 - PG 691

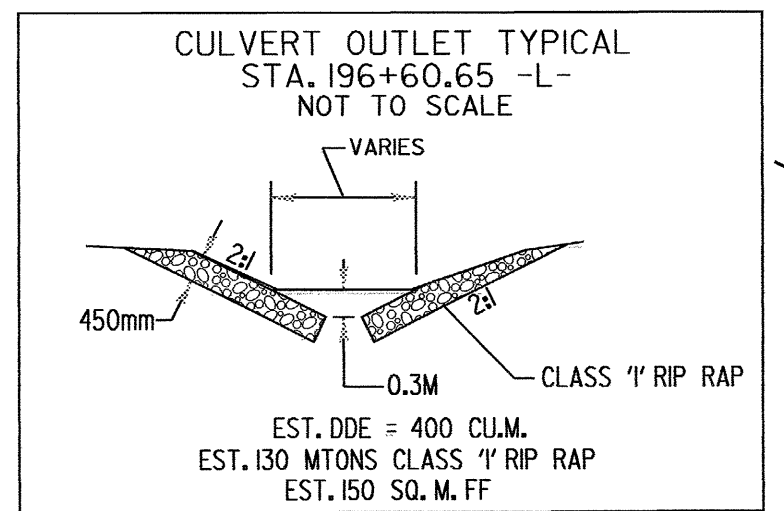
PAMLICO COUNTY  
DB 229 - PG 334



MATCHLINE -L- STA. 196 + 20.000 SEE SHEET NO. 15

MATCHLINE -L- STA. 199 + 80.000 SEE SHEET NO. 17

TSUNEKO TYNDALL  
DB 195 - PG 10  
MB 9 - PG 7



DAVID W. HARRIS  
DB 246 - PG 30

ROBERT COURTENAY SMARIDGE  
DB 244 - PG 141

ROBERT C. SMARIDGE  
DB 244 - PG 141

UNKNOWN

04-NOV-2024 10:15  
C:\Users\jrh\OneDrive\Documents\2539C\16.FSH