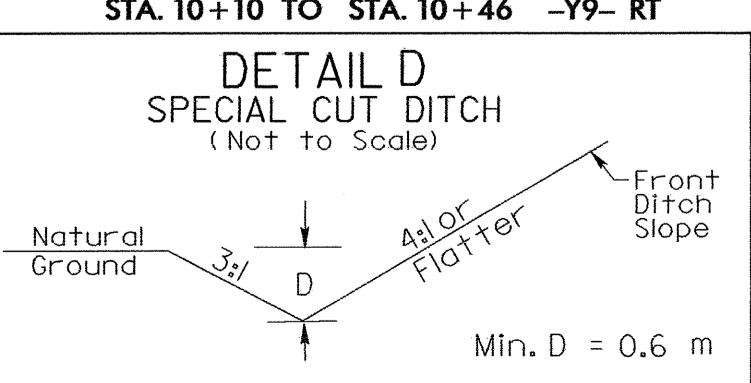
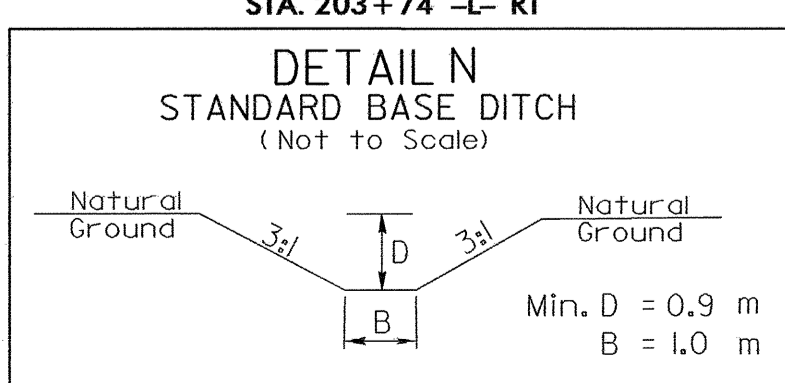
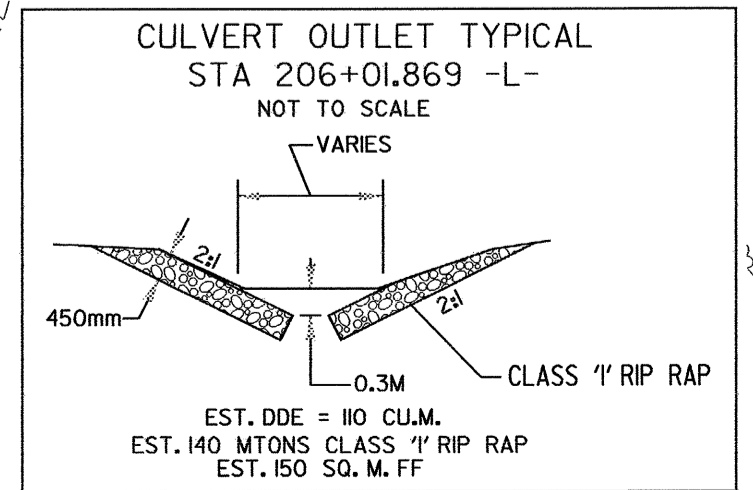
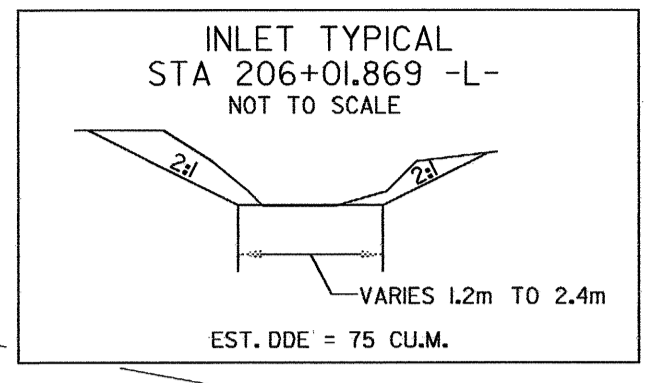
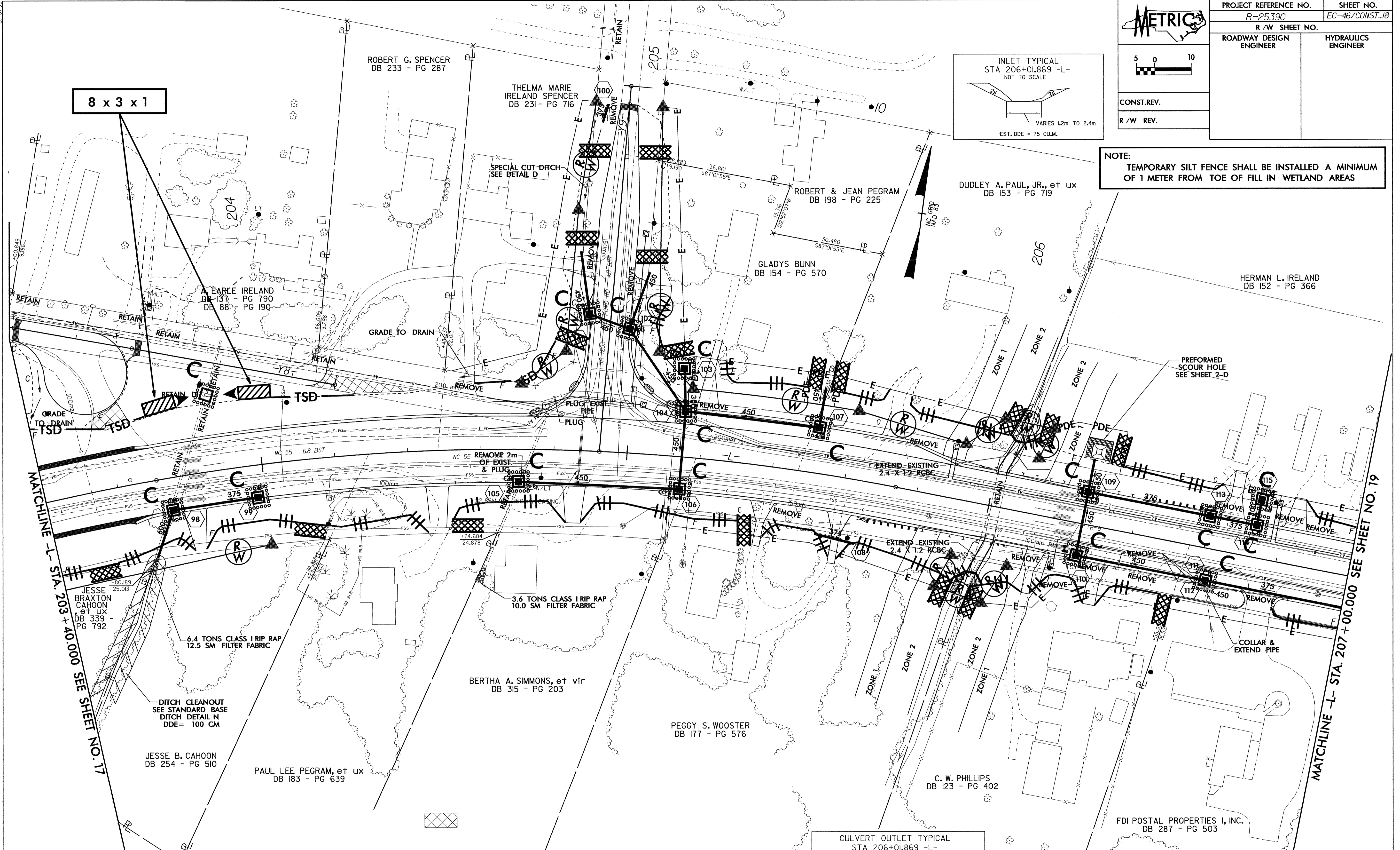
	PROJECT REFERENCE NO.	SHEET NO.
	R-2539C	EC-46/CONST.18
ROADWAY DESIGN ENGINEER		HYDRAULICS ENGINEER
CONST.REV.		
R/W REV.		

NOTE:
 TEMPORARY SILT FENCE SHALL BE INSTALLED A MINIMUM OF 1 METER FROM TOE OF FILL IN WETLAND AREAS



04-NOV-2004 10:25
 ch:\new\p\p\2539c\18.FSH
 m:\gignach