

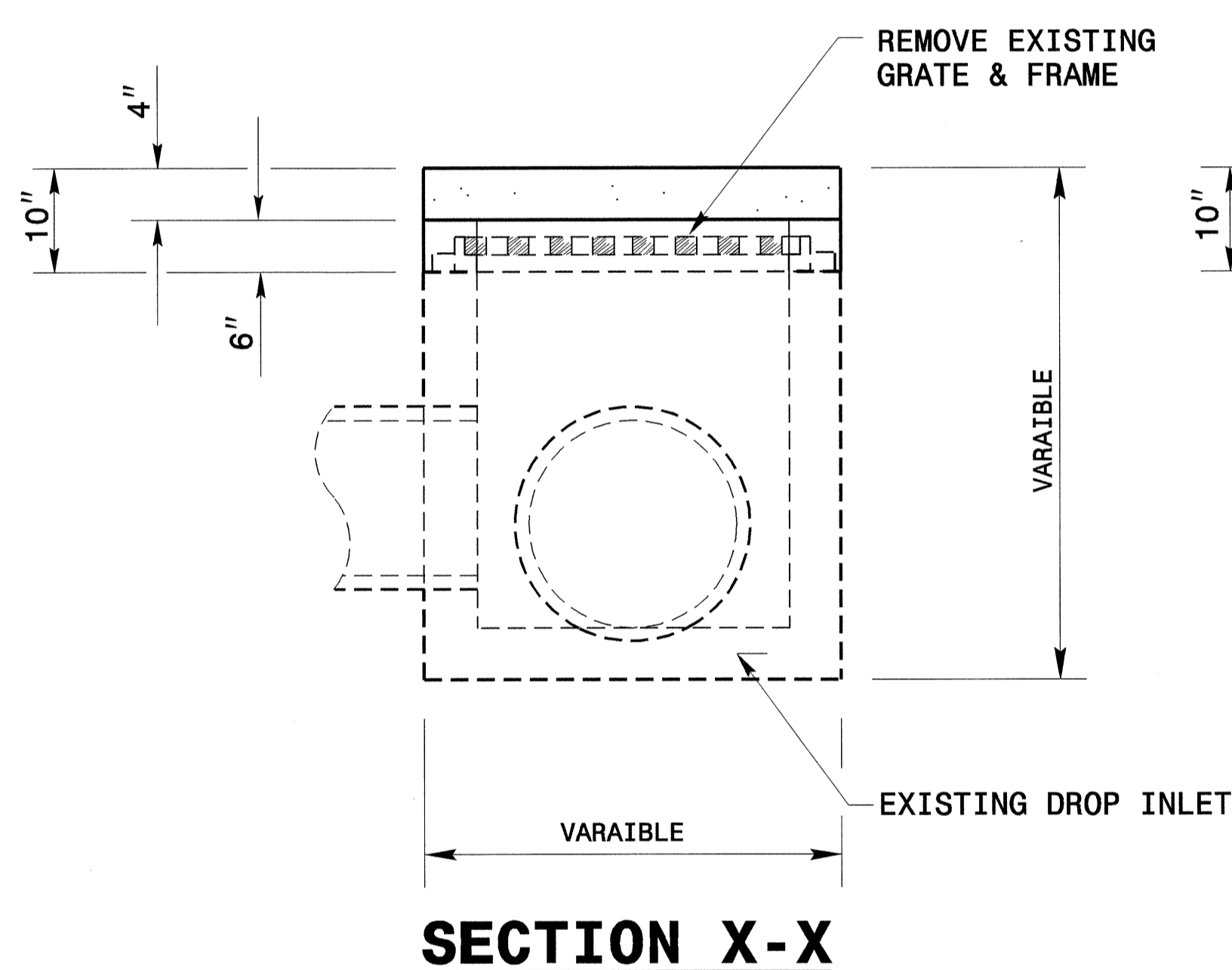
PLAN
EXISTING DROP INLET

GENERAL NOTES:
 USE CLASS "B" CONCRETE THROUGHOUT.
 PROVIDE ALL DROP INLETS OVER 3'-6" IN DEPTH WITH STEPS 12" ON CENTER. USE STEPS WHICH COMPLY WITH STD. DRAWING 840.66.
 CONSTRUCT IN ACCORDANCE WITH SECTION 859 OF THE STANDARD SPECIFICATIONS.
 APPROXIMATE AND MAY VARY SLIGHTLY.
 DETAIL INTENDED FOR NON-TRAFFIC BEARING DRAINAGE STRUCTURES.
 DRAWING NOT TO SCALE.

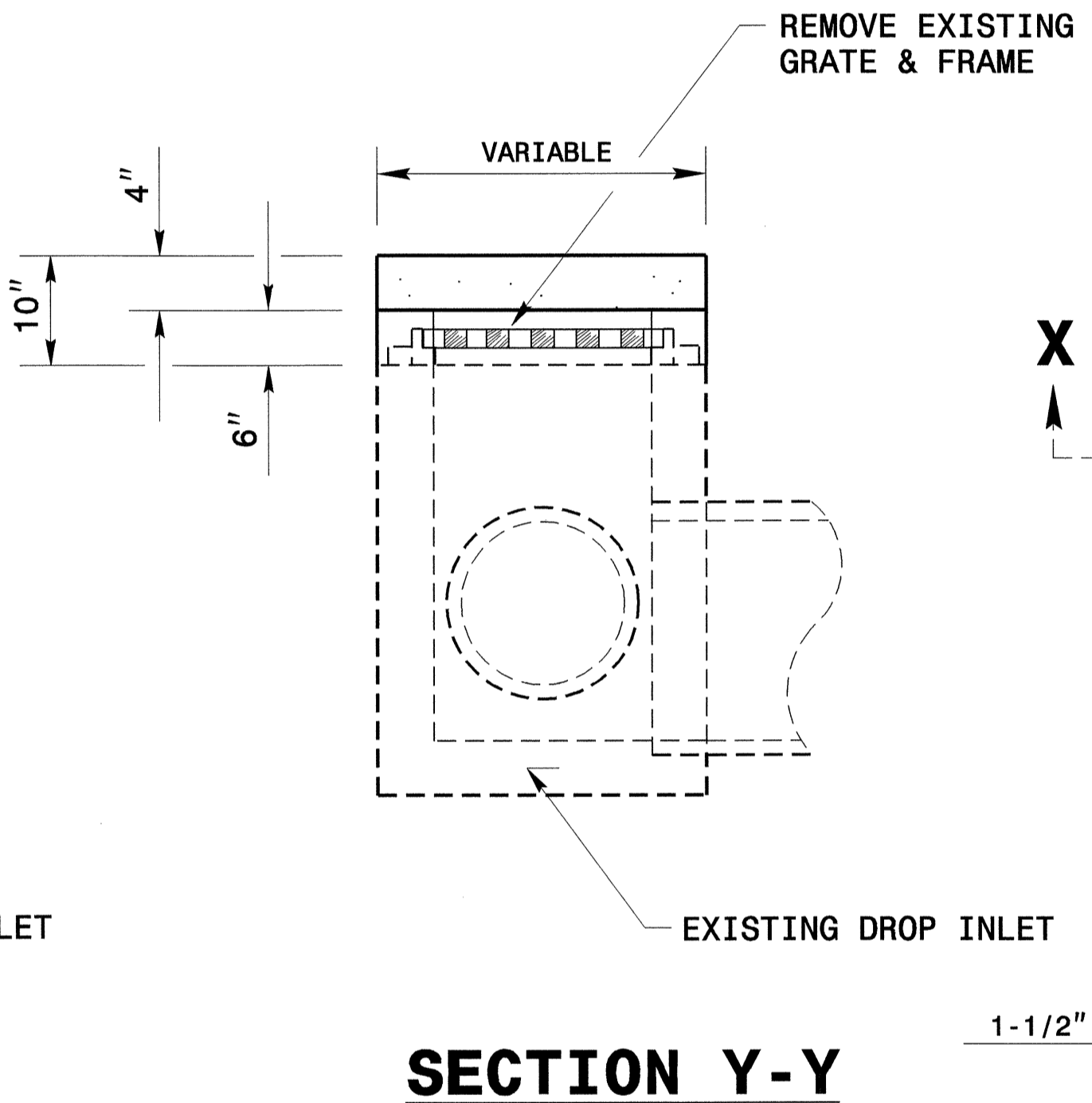
BILL OF MATERIALS				
REINFORCING STEEL				
CODE	SIZE	QTY.	LENGTH	REINF. STEEL lbs.
X	#3	9	3'-1"	10.4
Y	#4	7	4'-1"	19.1
TOTAL				29.5 *
MASONRY				CY
TOP SLAB CONCRETE CLASS "B"				0.1783 *
BRICK MASONRY PER FT HT (MIN)				0.3127 *

NO DEDUCTIONS HAVE BEEN TAKEN FOR OPEN THROAT OPENINGS

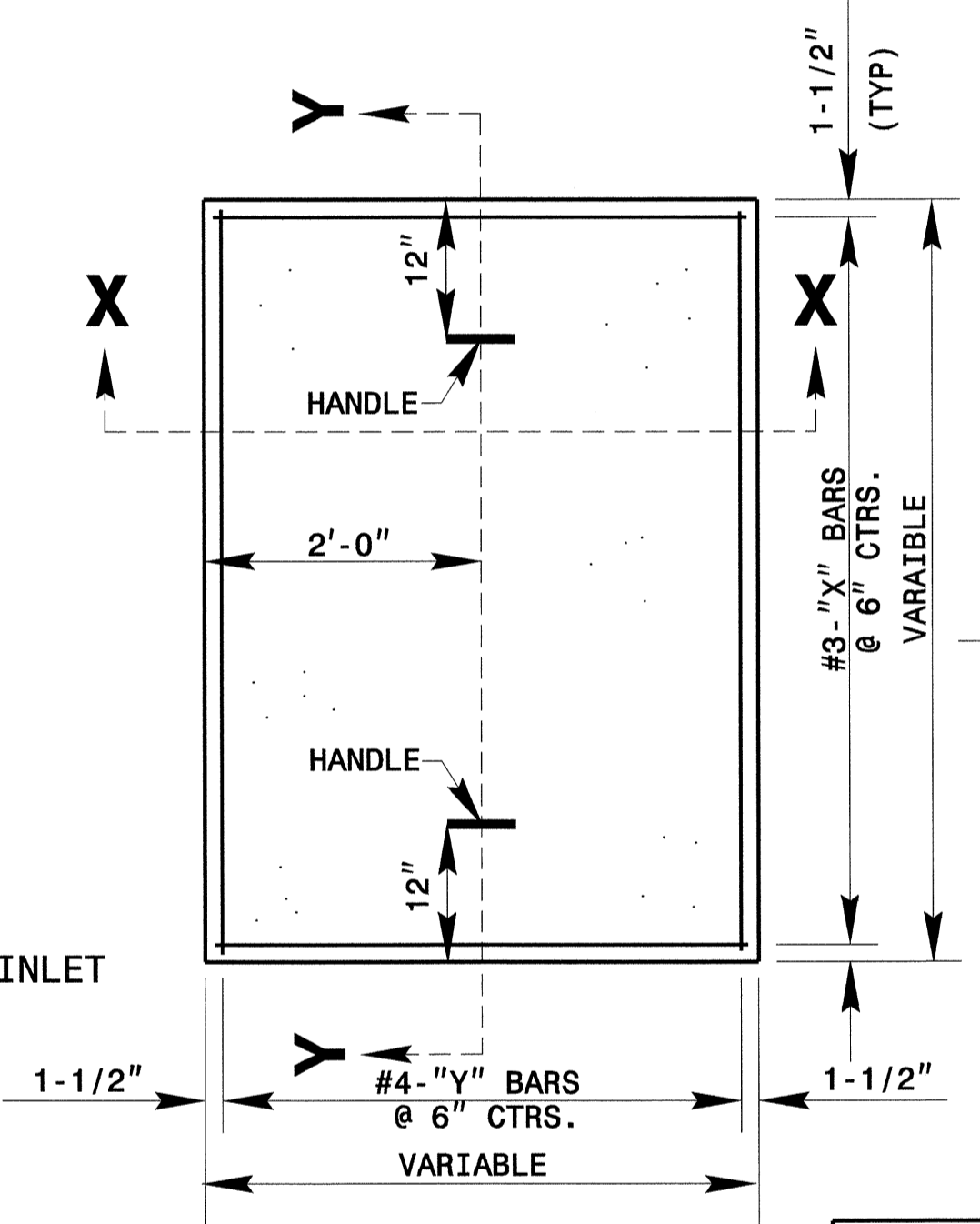
*** NOTE:**
 QUANTITIES BASED ON 3'-0" X 2'-0" DRAINAGE STRUCTURE. ADJUST QUANTITIES FOR LARGER STRUCTURES.



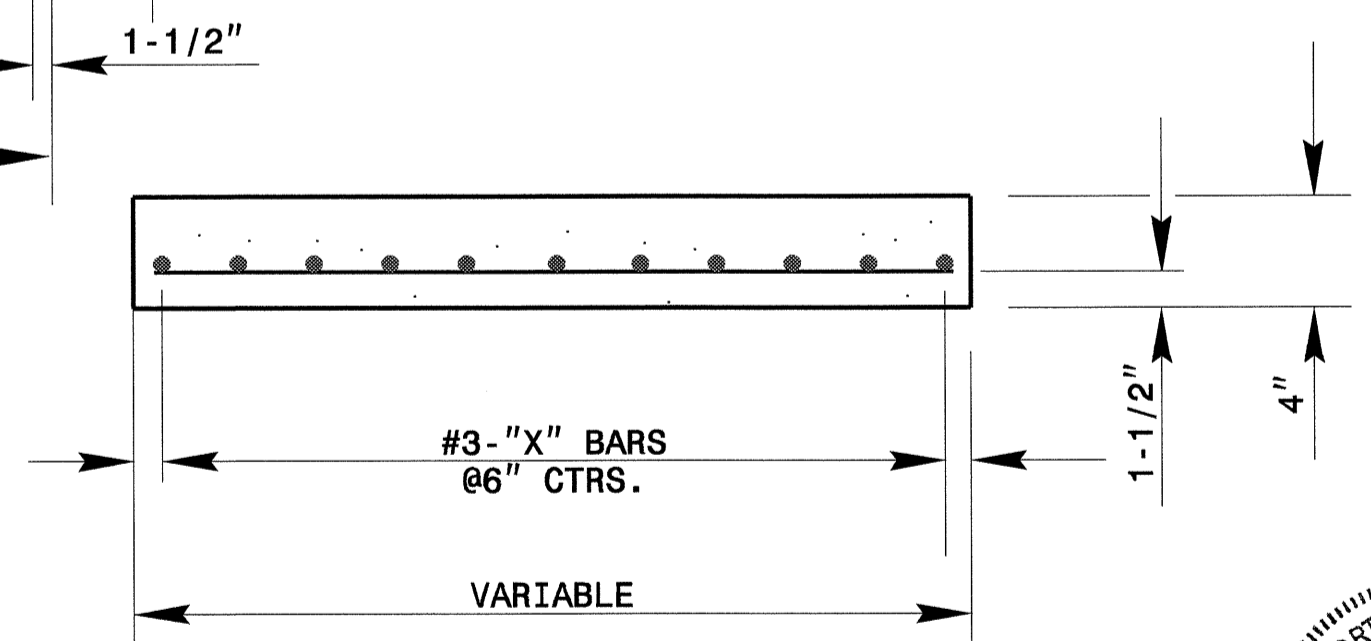
SECTION X-X



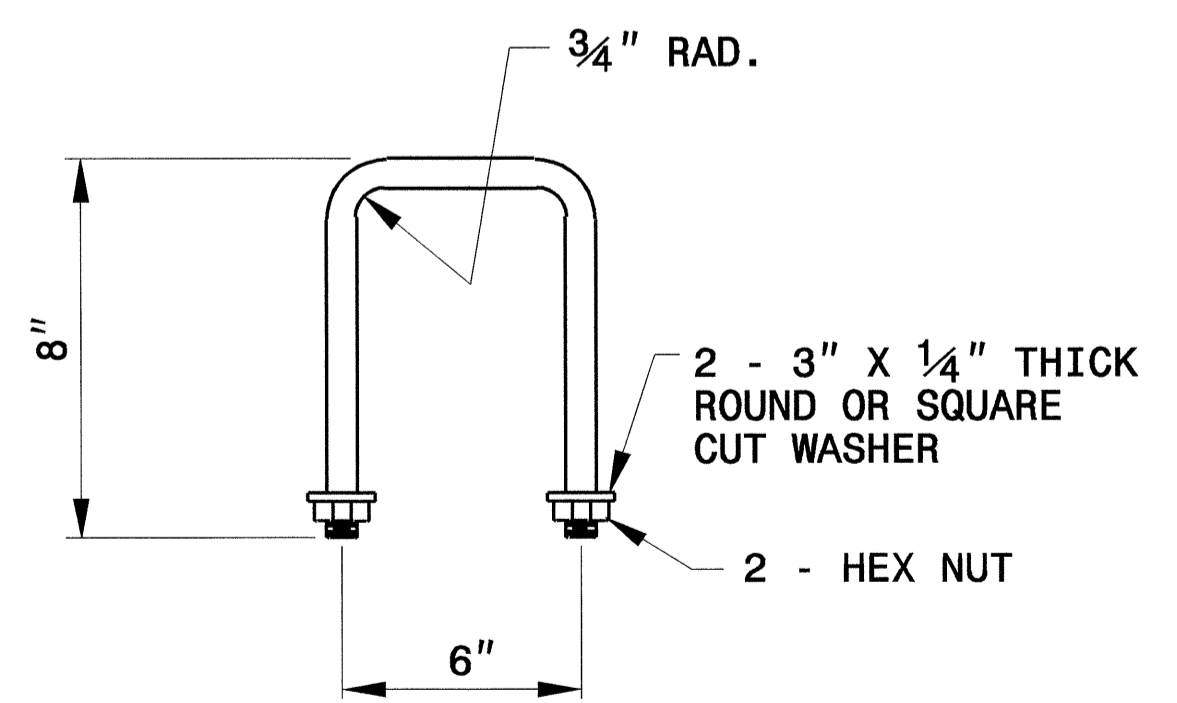
SECTION Y-Y



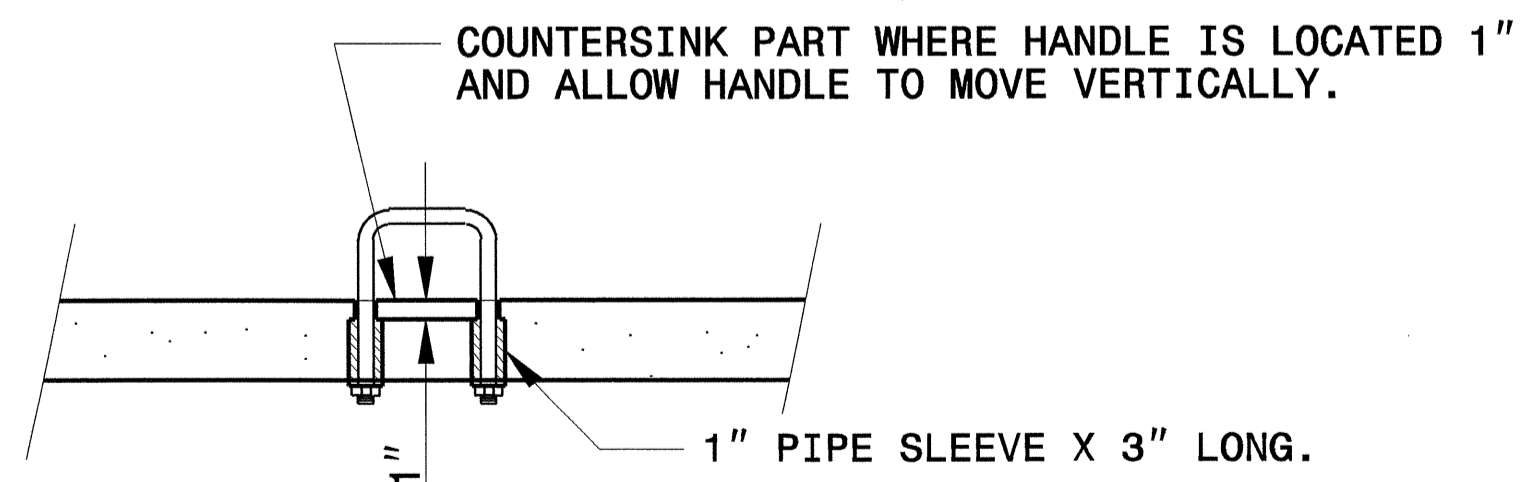
SECTION Y-Y



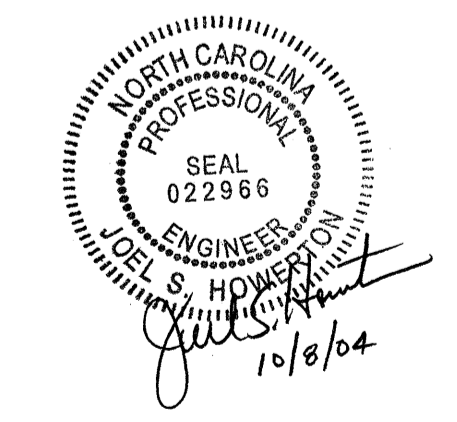
SECTION X-X



DETAIL OF HANDLE



PART SECTION
THRU COVER SHOWING HANDLE



DESIGN SERVICES UNIT
STANDARDS AND SPECIAL DESIGN
 Office 919-250-4128 FAX 919-250-4119

DETAIL CONVERTING DROP INLET TO OPEN THROAT CATCH BASIN

ORIGINAL BY:	DATE:
MODIFIED BY: nbritt	DATE: 09-30-04
CHECKED BY: <i>Julia</i>	DATE: 10/4/04
FILE SPEC.:	