

STATE OF NORTH CAROLINA
 DEPT. OF TRANSPORTATION
 DIVISION OF HIGHWAYS
 RALEIGH, N.C.

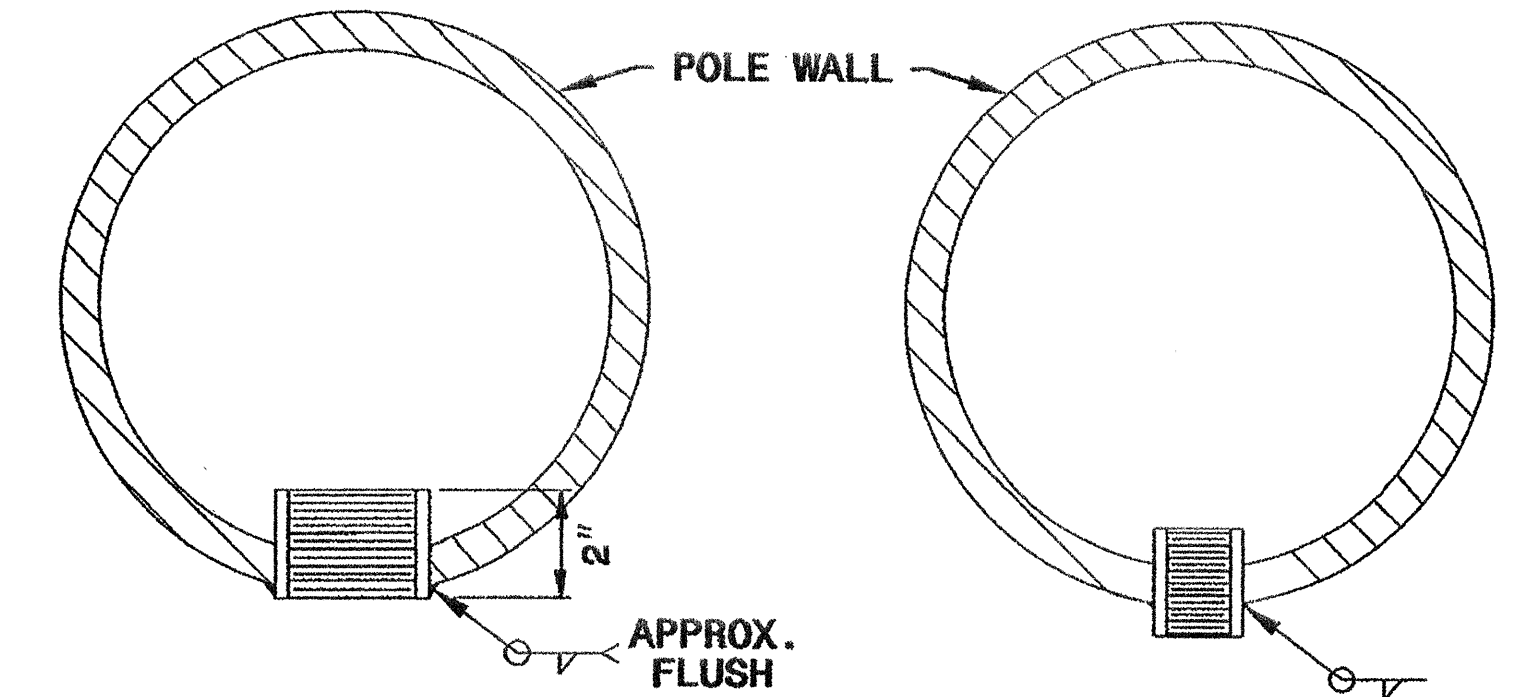
9-03

ENGLISH STANDARD DRAWING FOR
METAL POLES
 MISCELLANEOUS DETAILS

SHEET 3 OF 3
1740.01

MOUNTING POINT DETAIL

CABLE ENTRANCE IN TERMINAL COMPARTMENT CABLE ENTRANCES AT TOP OF POLE



HALF COUPLING WITH INTERNAL 3" THREADS TO ACCEPT 3" METALLIC CONDUIT

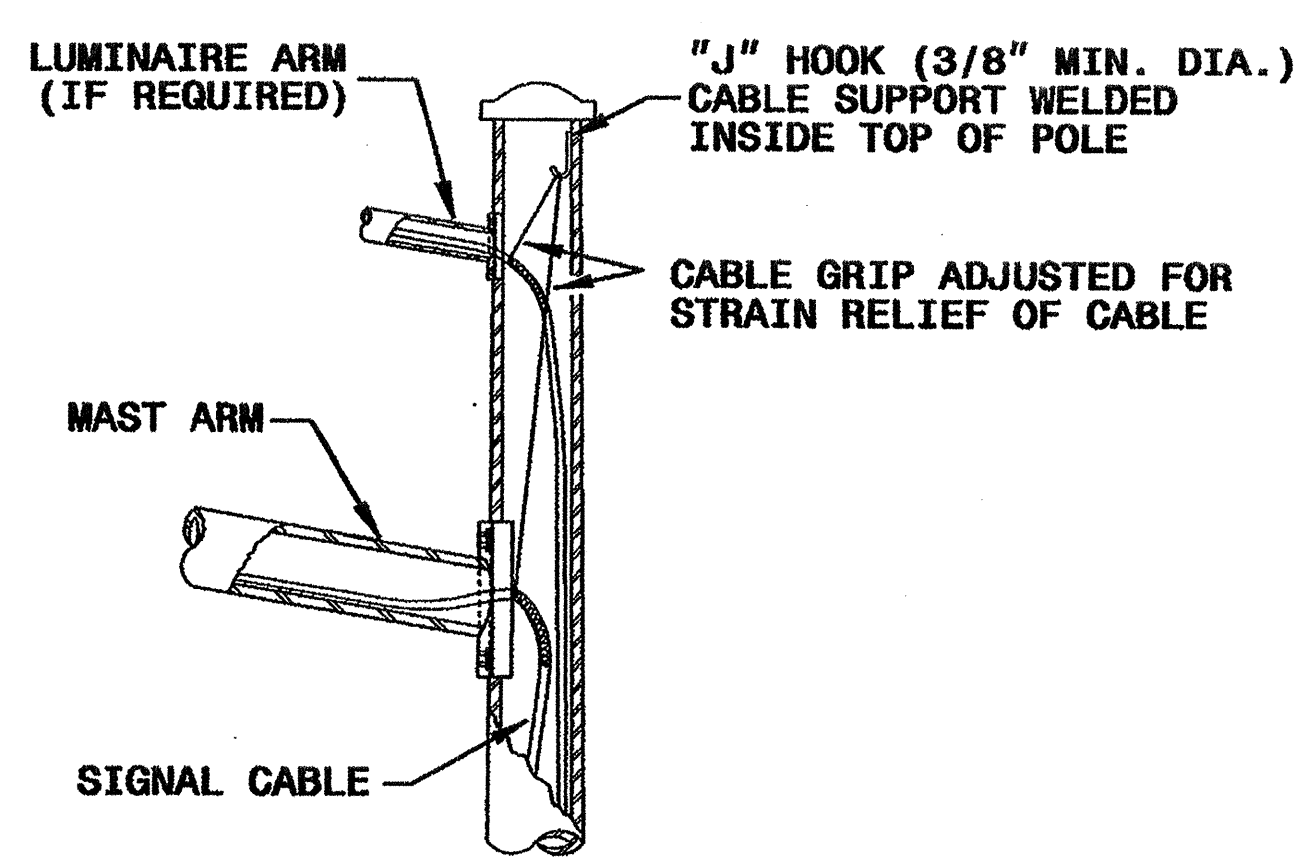
APPROX. FLUSH

SEE GENERAL NOTE NO. 1 ON SHEET 2 OF THIS STANDARD DRAWING FOR FABRICATION DETAILS.

HALF COUPLINGS WITH INTERNAL 1" & 2" THREADS TO ACCEPT 1" & 2" METALLIC CONDUITS

SEE GENERAL NOTE NO. 2 ON SHEET 2 OF THIS STANDARD DRAWING FOR FABRICATION DETAILS.

CABLE STRAIN RELIEF



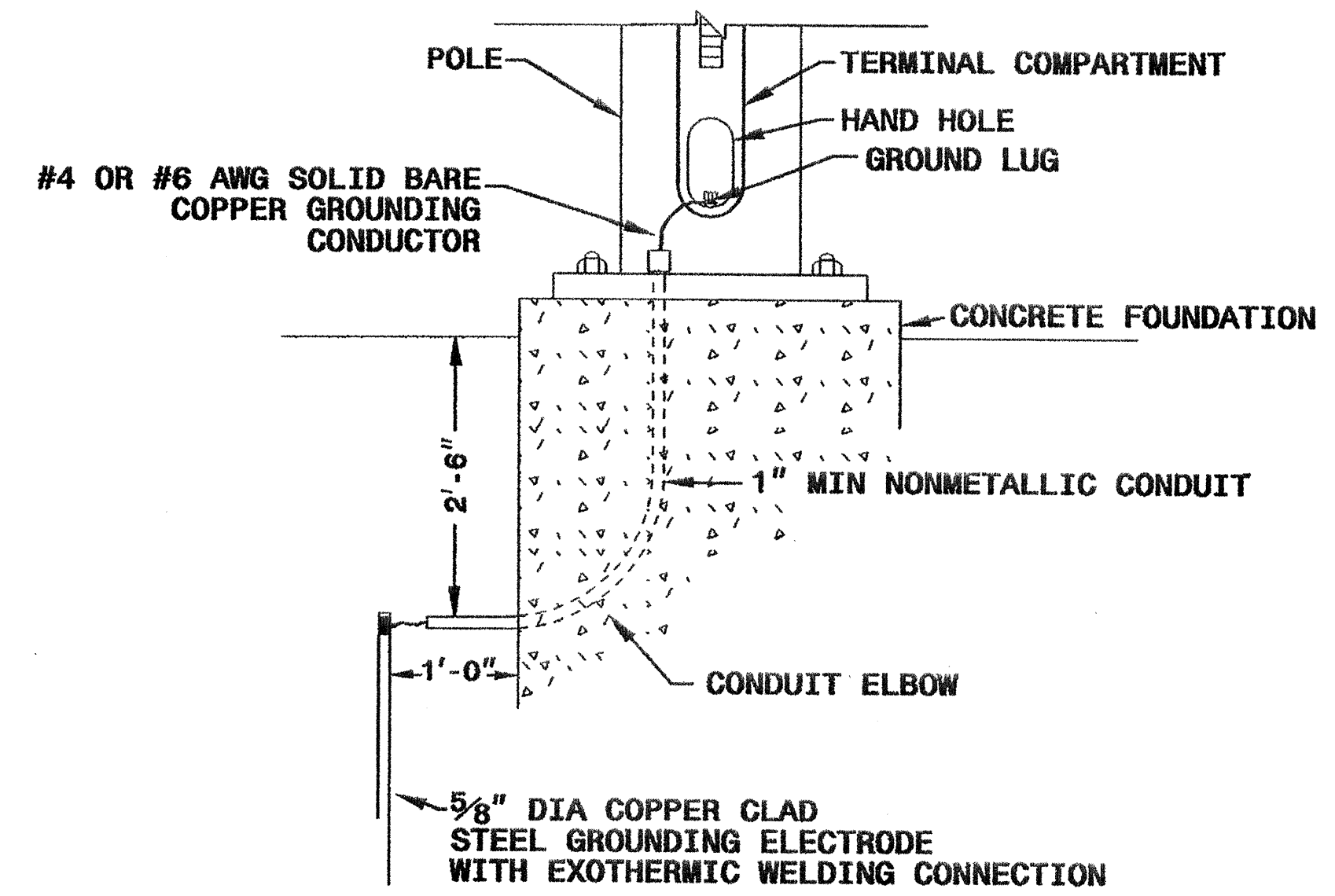
STATE OF NORTH CAROLINA
 DEPT. OF TRANSPORTATION
 DIVISION OF HIGHWAYS
 RALEIGH, N.C.

9-03

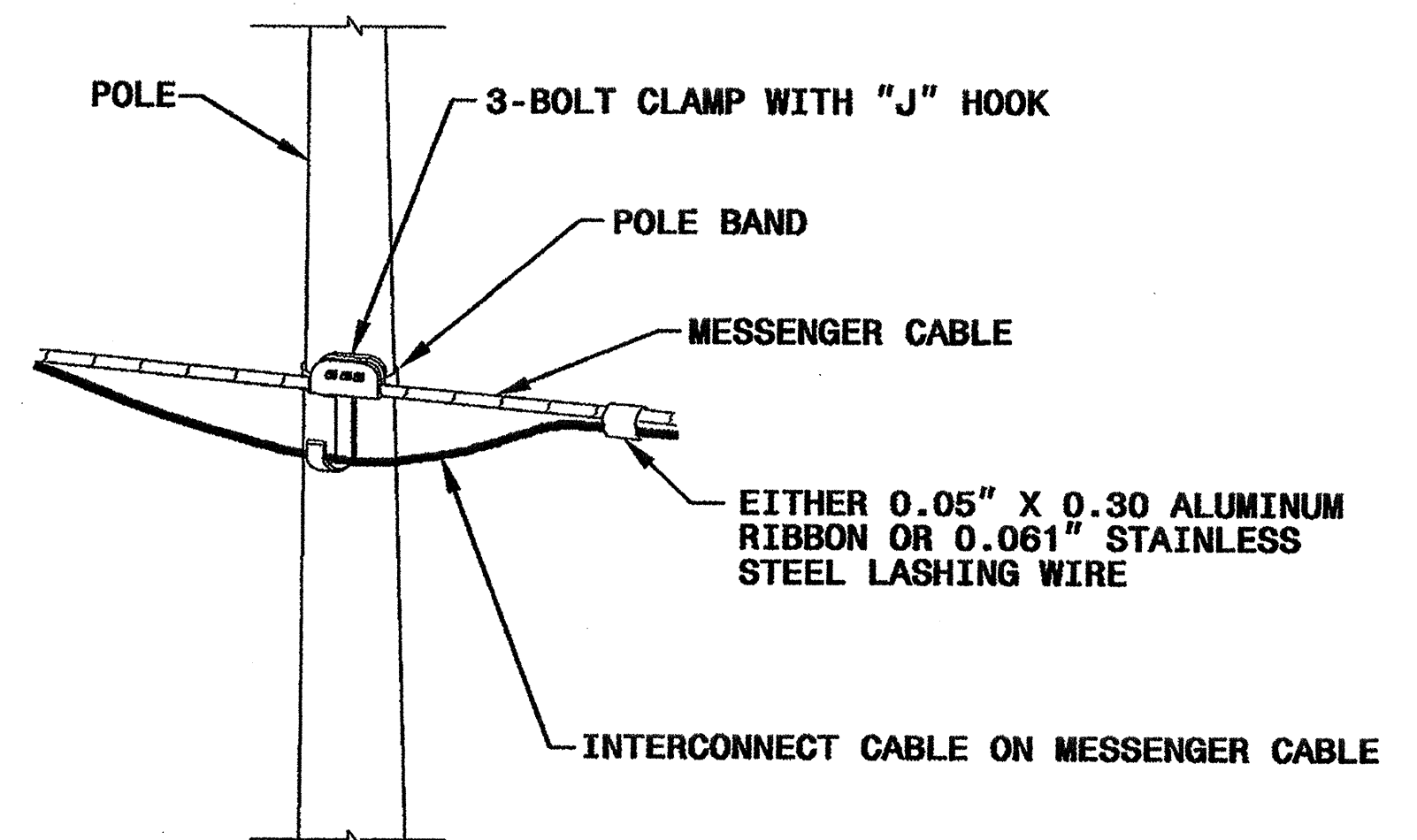
ENGLISH STANDARD DRAWING FOR
METAL POLES
 MISCELLANEOUS DETAILS

SHEET 3 OF 3
1740.01

METAL POLE GROUNDING DETAIL



ATTACHMENT OF CABLE TO INTERMEDIATE METAL POLE



19-SEP-2003 14:27
 W:\P\p\tes-1\m1\work\groups\CDR\rook\ys\standards\sig\174001_sheets\174001_sheets.dgn
 plot:exchibit

Structural Engineer <i>Deesh C. Sarwar</i> 9/19/03 SIGNATURE DATE	Electrical Engineer <i>Wilton I. Dean</i> 9/22/03 SIGNATURE DATE
Standard Drawings Traffic Management and Signal Systems Unit 122 N. McDowell St., Raleigh, NC 27603	
See Plate for Title	
Original: 2002 Standards	