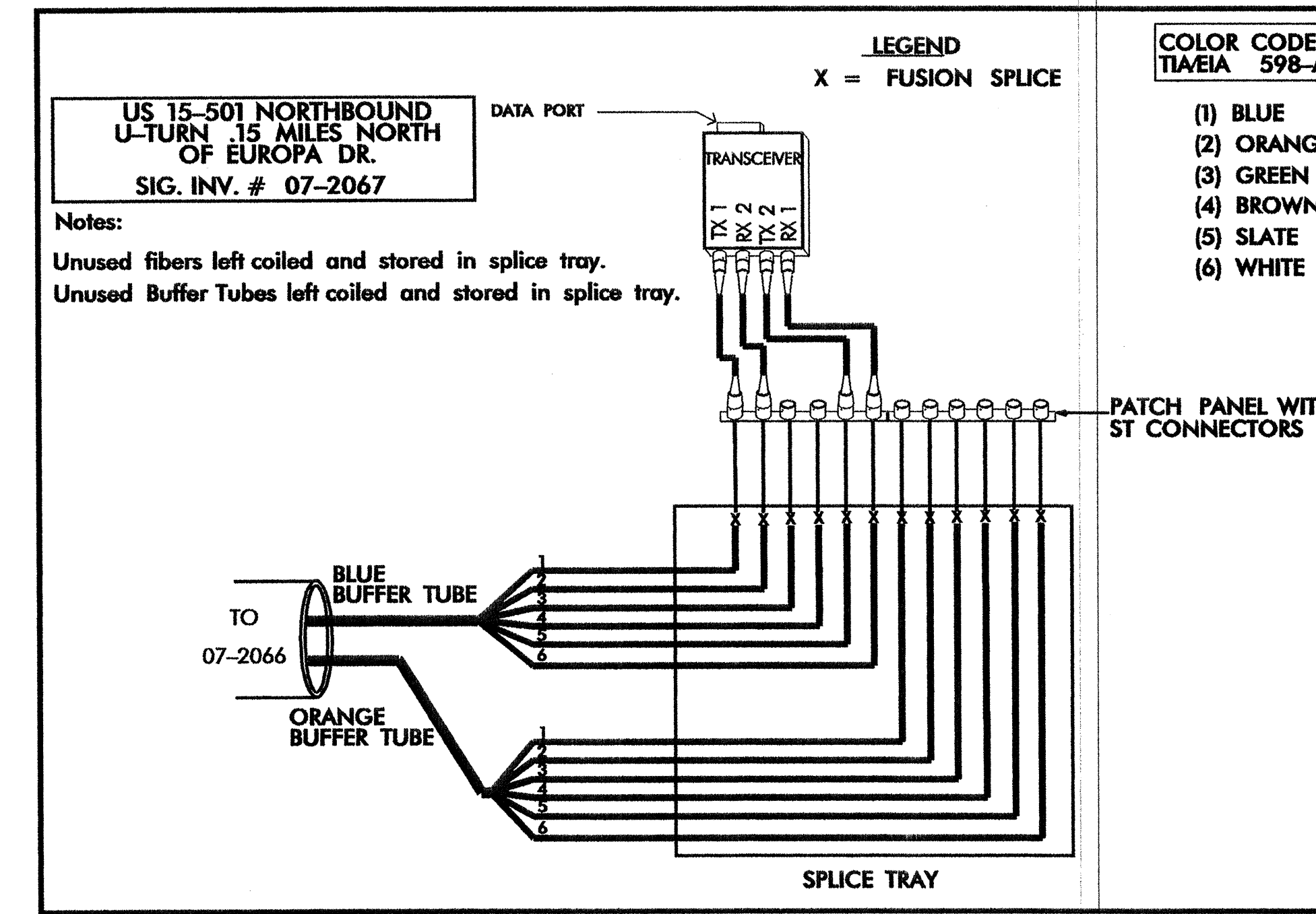
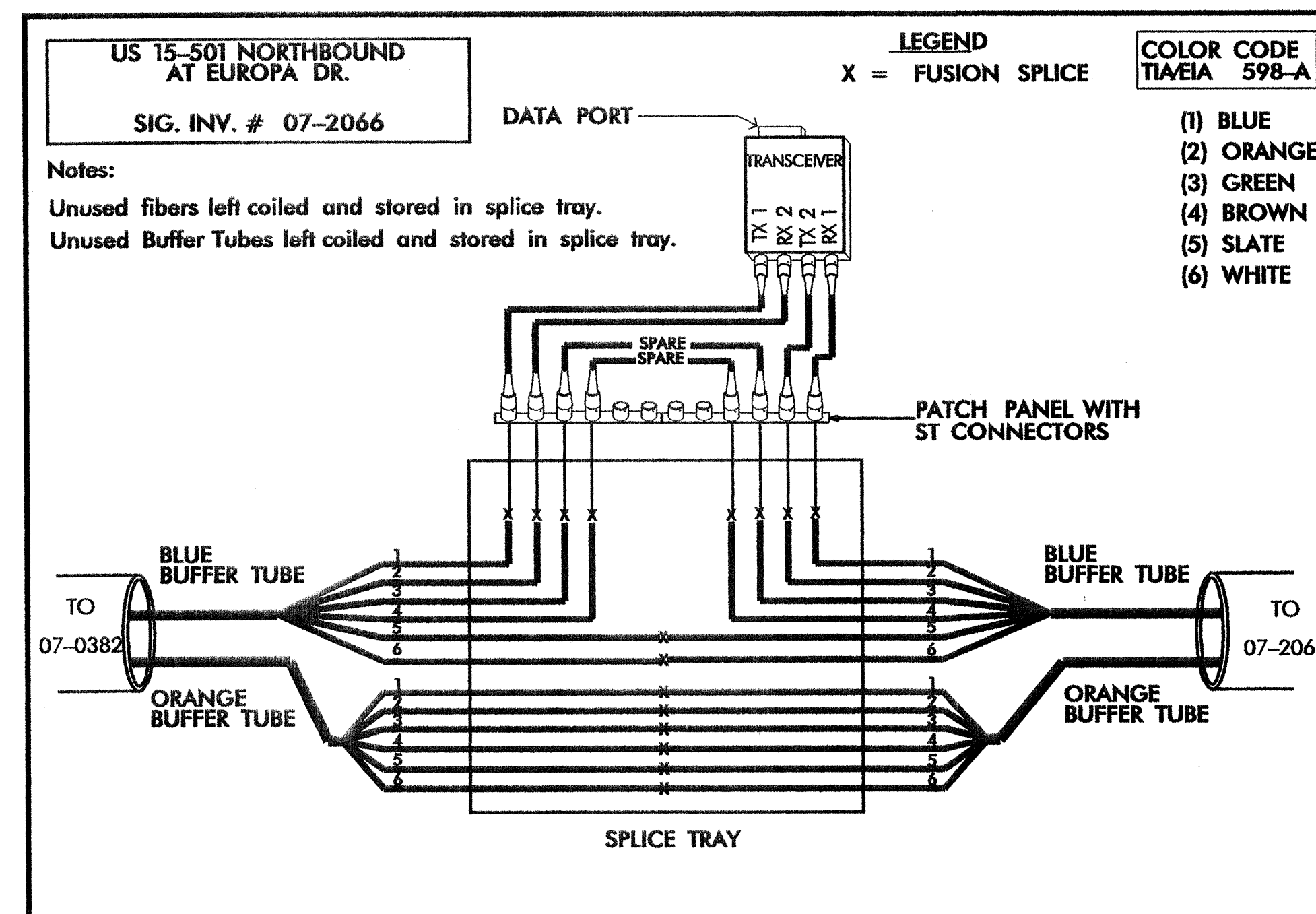
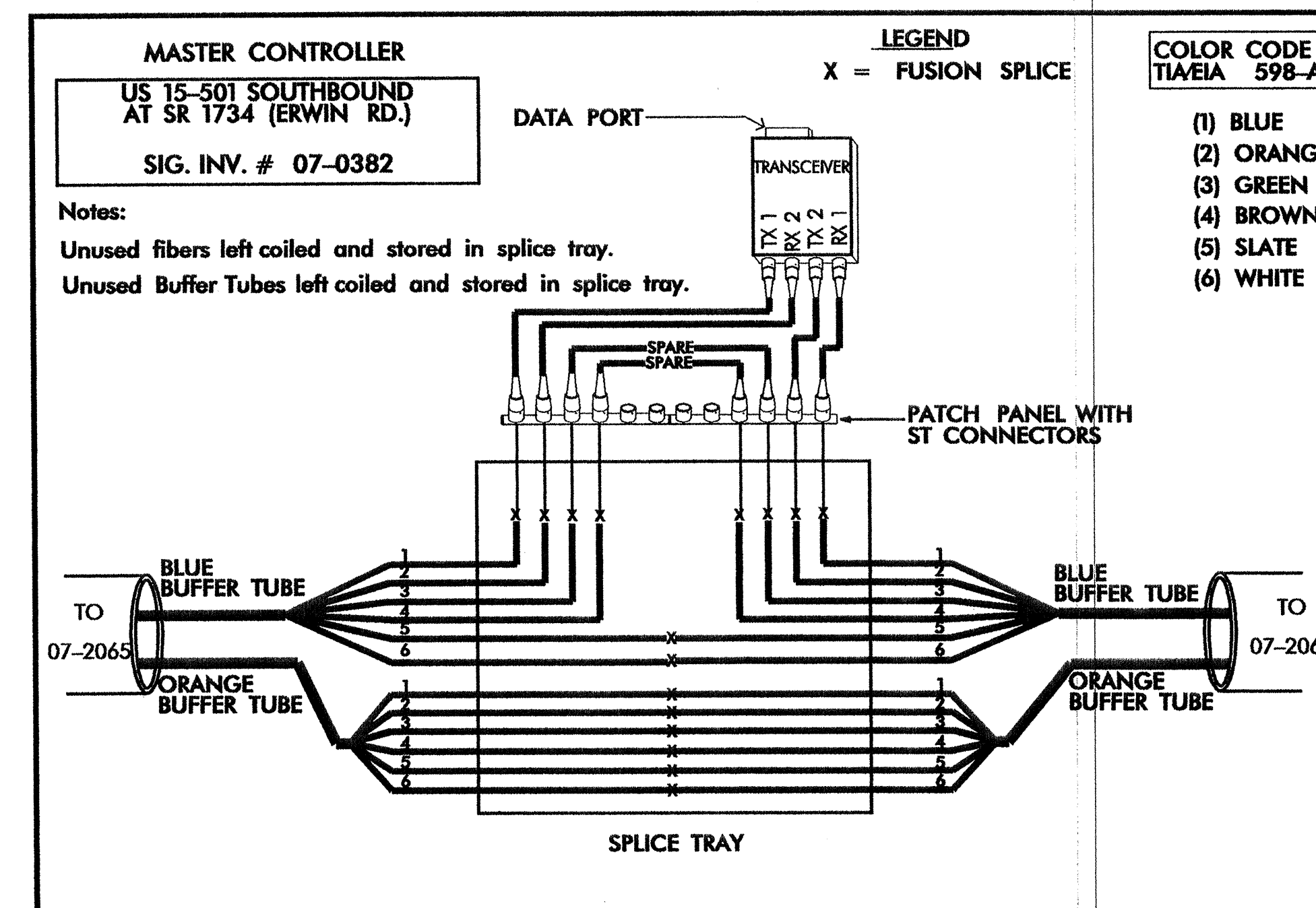
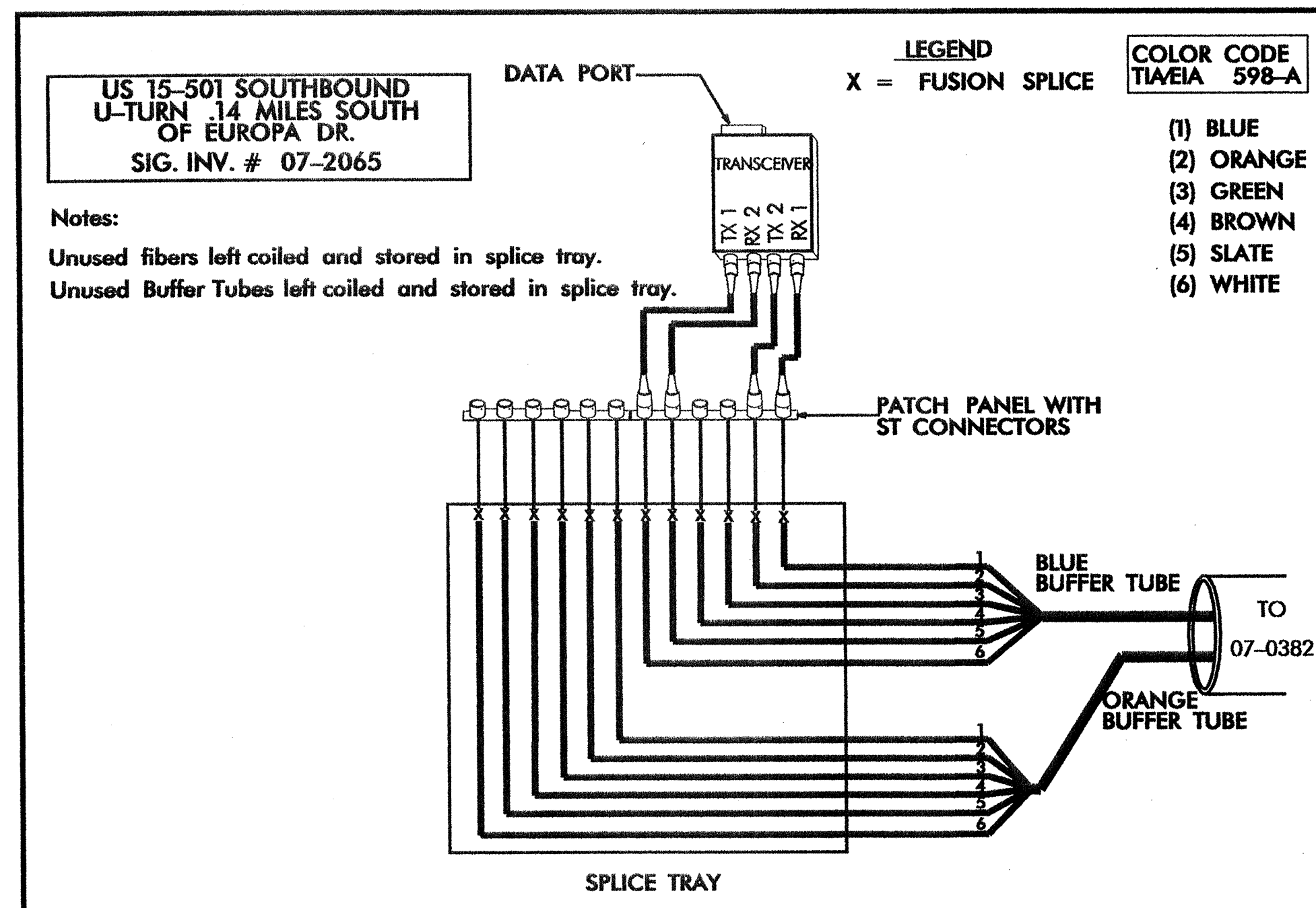
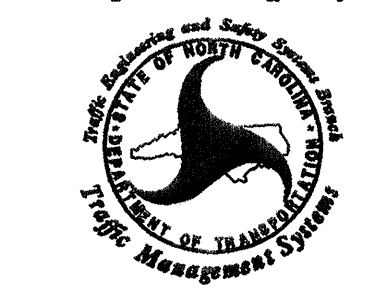


# FIBER OPTIC CABLE



FURNISH SELF-HEALING RING TYPE TRANSCEIVERS.  
TRANSCEIVER TERMINATION CONFIGURATIONS ARE GENERIC. CONTRACTOR IS RESPONSIBLE FOR DETERMINING \ ENSURING THE PROPER TERMINATIONS.

Prepared in the Office of:  
  
 NORTH CAROLINA DEPARTMENT OF TRANSPORTATION  
 222 N. McDowell St., Raleigh, NC 27603

**SPLICE PLAN**

DIVISION 07 ORANGE CO. CHAPEL HILL  
 PLAN DATE: AUGUST 2004 REVIEWED BY: PCL/INA  
 PREPARED BY: S.C. WARDLE REVIEWED BY: G.G. MURR

REVISIONS: \_\_\_\_\_ INIT. DATE \_\_\_\_\_

SCALE: 0 \_\_\_\_\_

SEAL  
 NORTH CAROLINA  
 PROFESSIONAL ENGINEER  
 SEAL 14543  
 GENE G. MURR, JR.  
 SIGNATURE: *[Signature]* DATE: 8/27/04  
 CADD Filename: \_\_\_\_\_