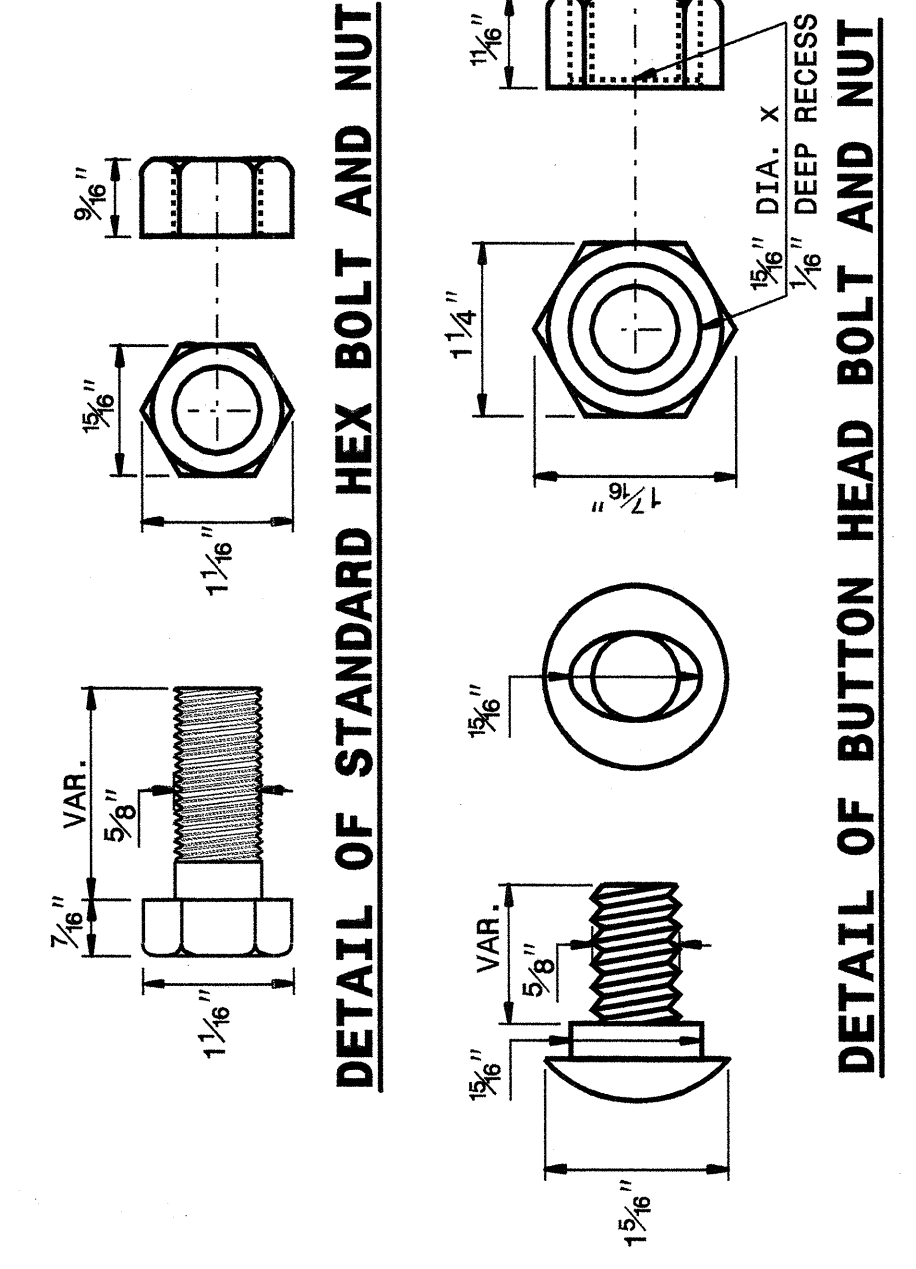
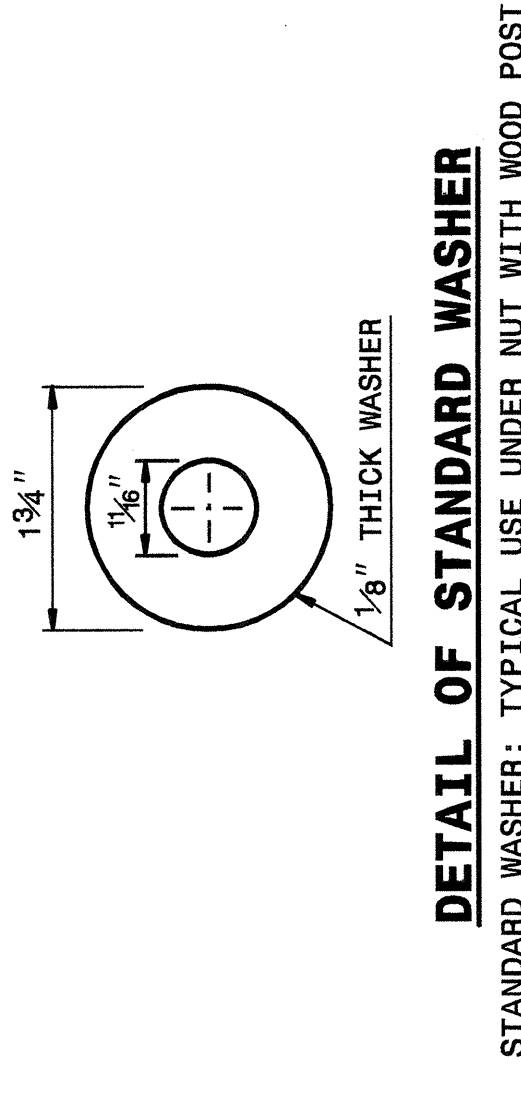
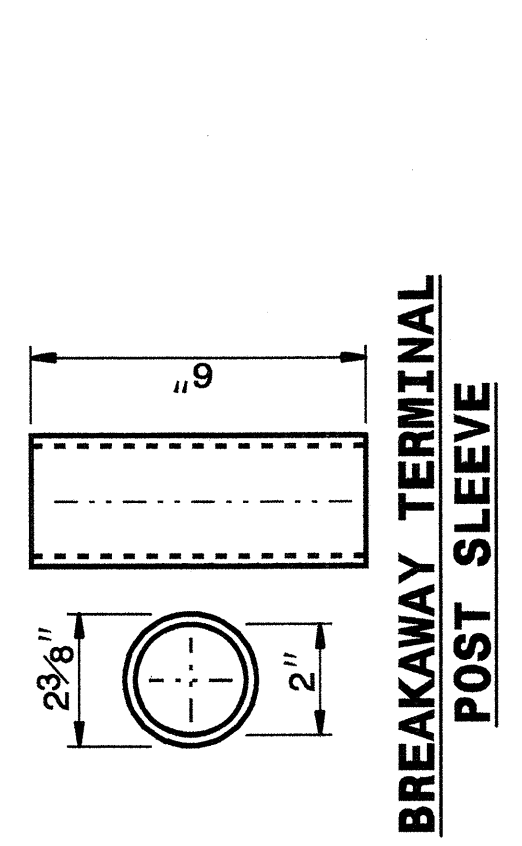
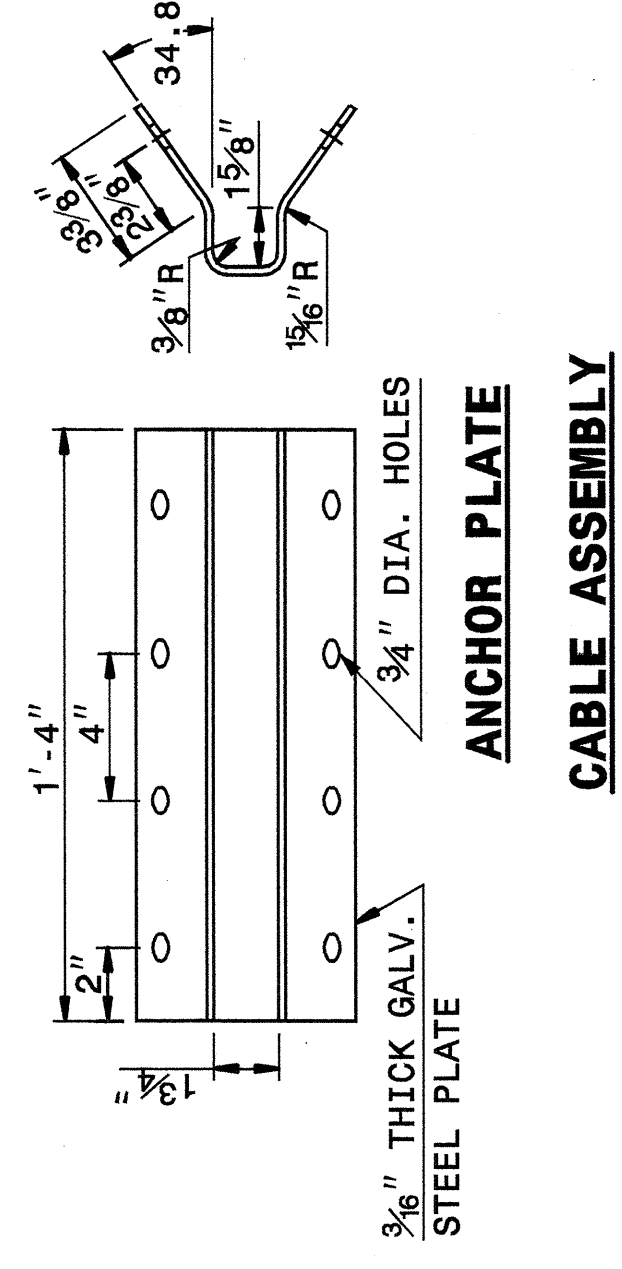
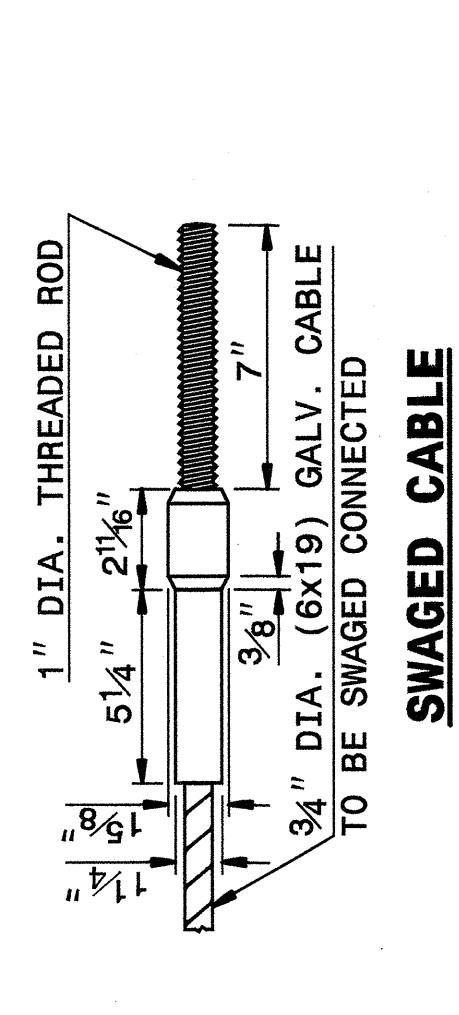
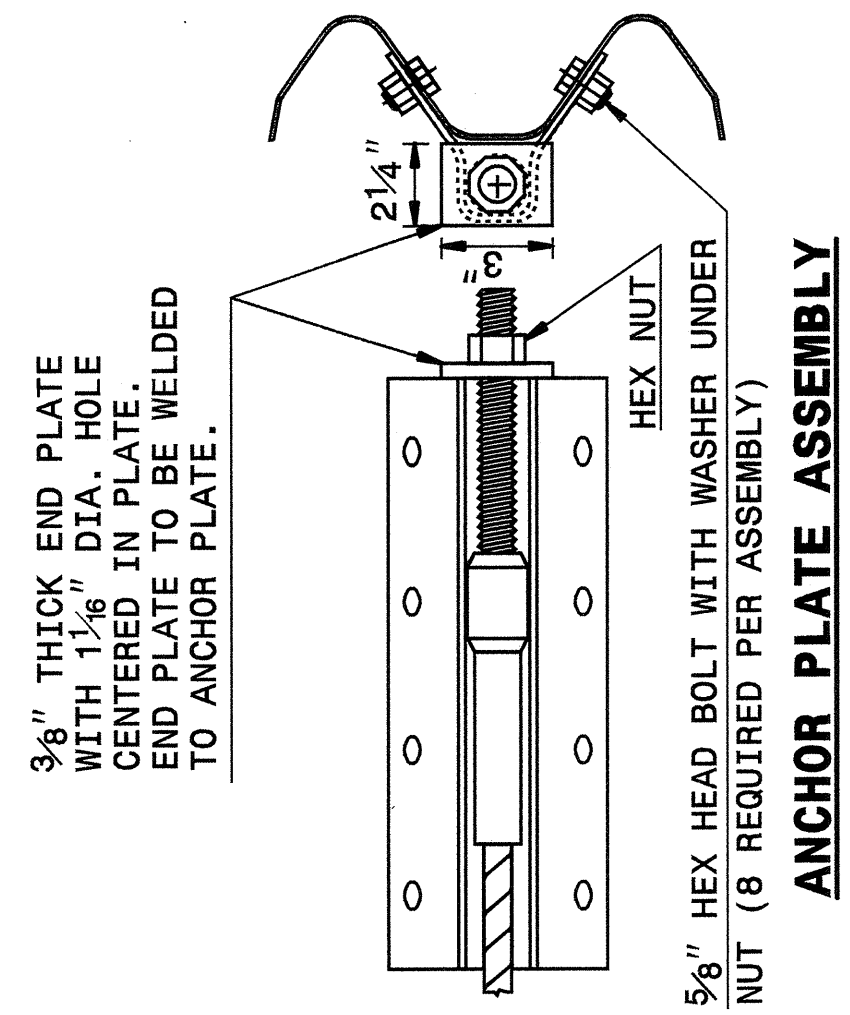


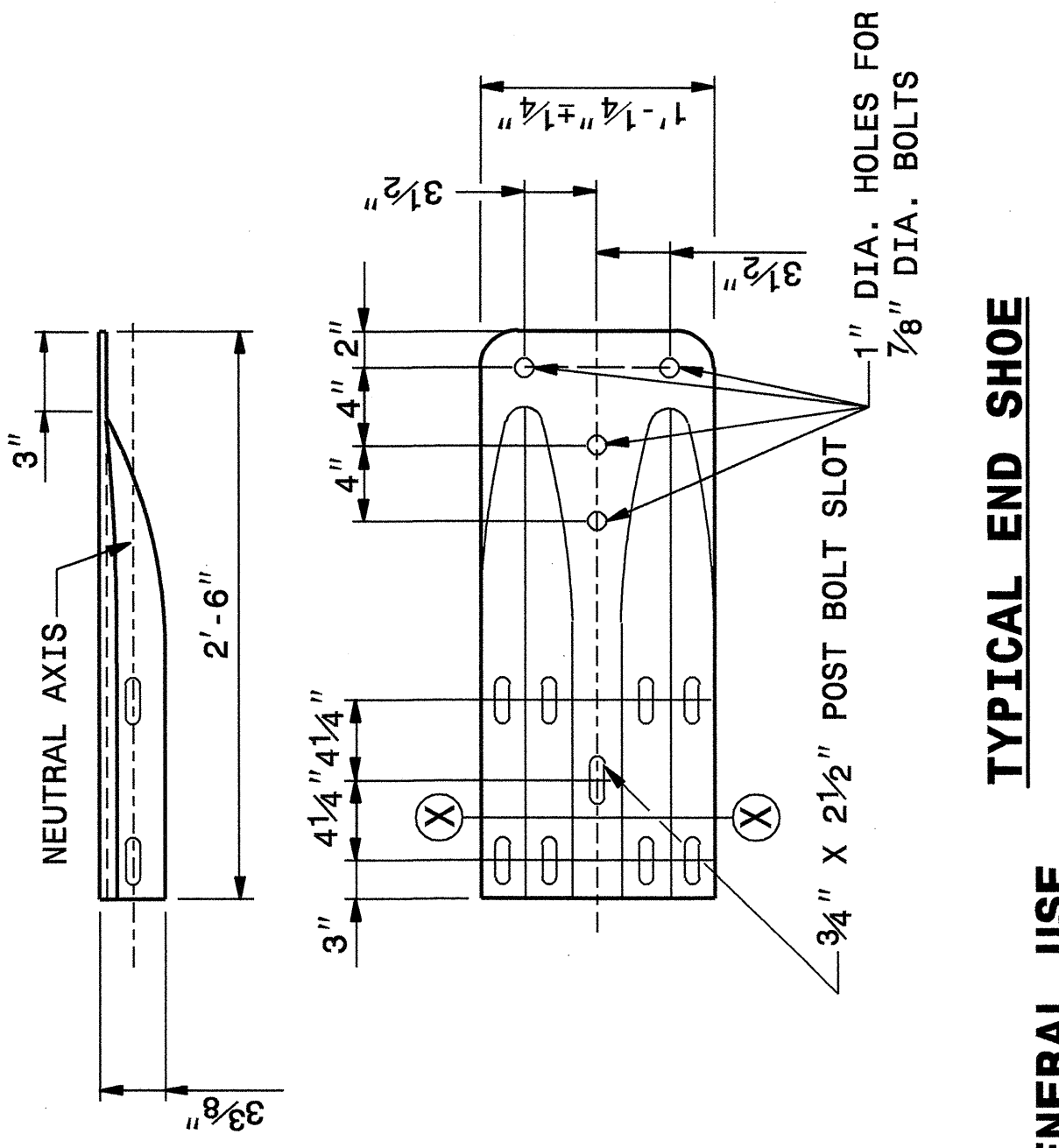
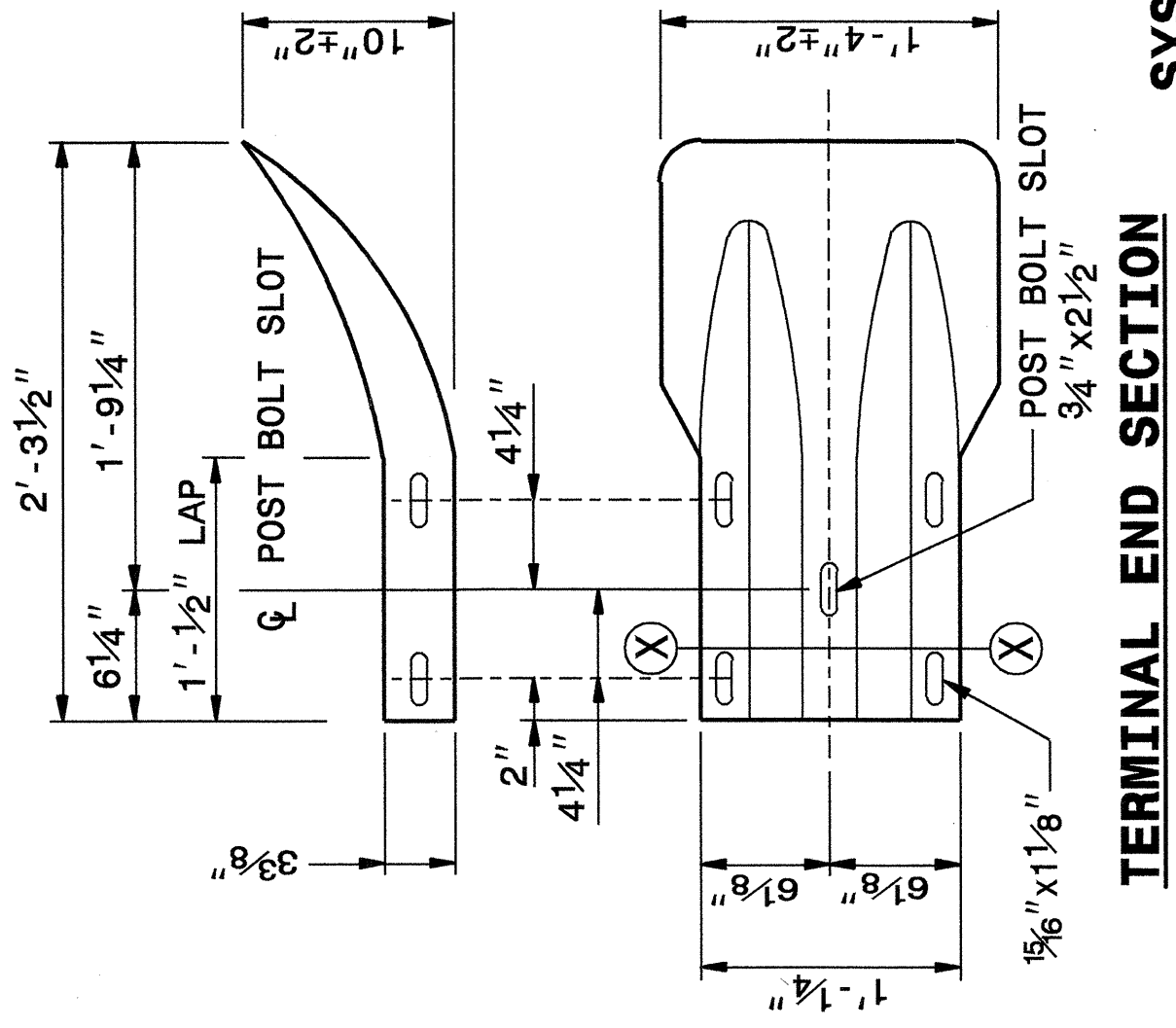
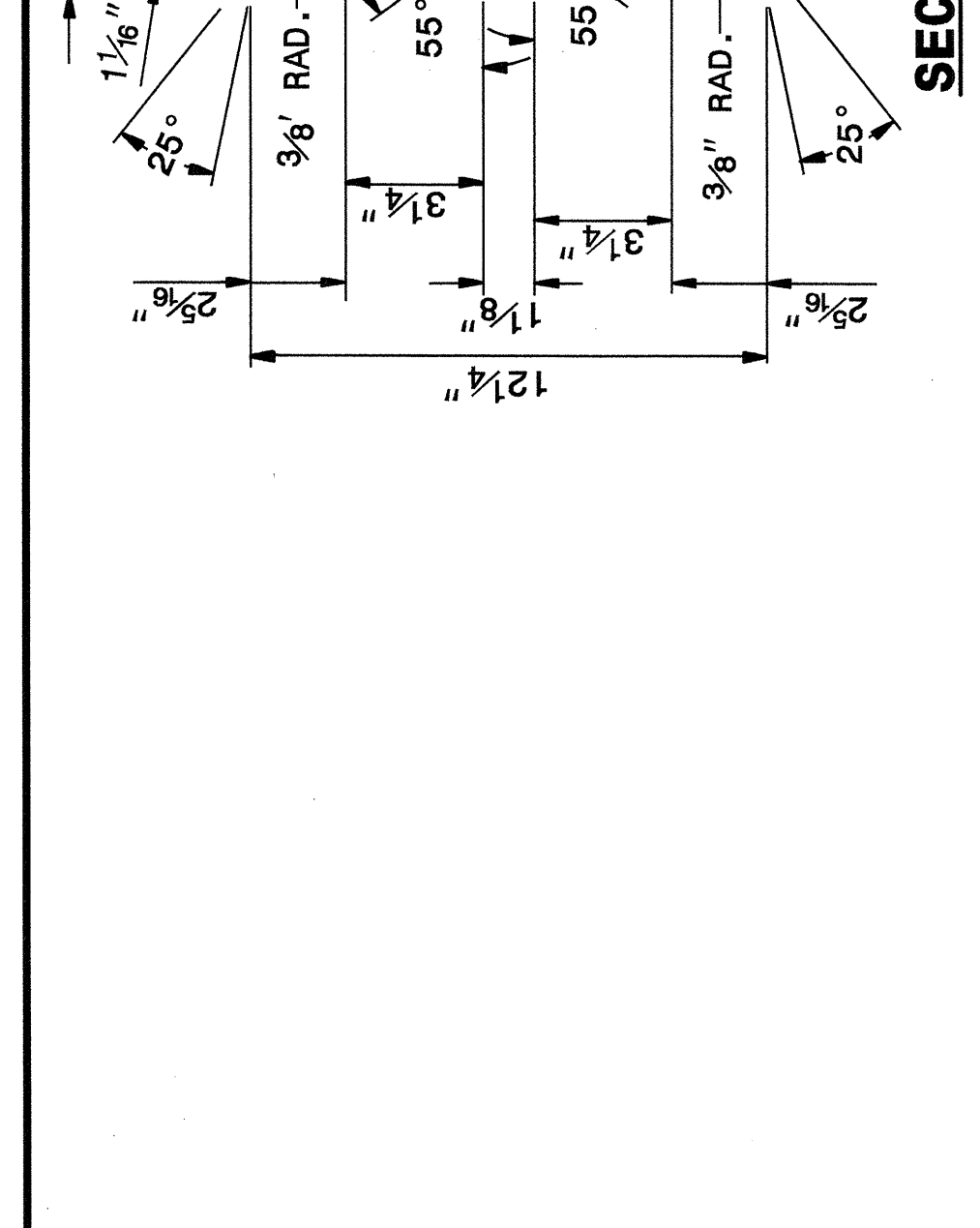
STATE OF NORTH CAROLINA
DEPT. OF TRANSPORTATION
DIVISION OF HIGHWAYS
RALEIGH, N.C.

ENGLISH DETAIL DRAWING FOR
GUARDRAIL INSTALLATION

SHEET 5 OF 7
862D02



SYSTEM PARTS



SYSTEM PARTS - GENERAL USE

TERMINAL END SECTION

SHEET 6 OF 7
862D02

STATE OF NORTH CAROLINA
DEPT. OF TRANSPORTATION
DIVISION OF HIGHWAYS
RALEIGH, N.C.

ENGLISH DETAIL DRAWING FOR
GUARDRAIL INSTALLATION

STATE OF NORTH CAROLINA
DEPT. OF TRANSPORTATION
DIVISION OF HIGHWAYS
RALEIGH, N.C.

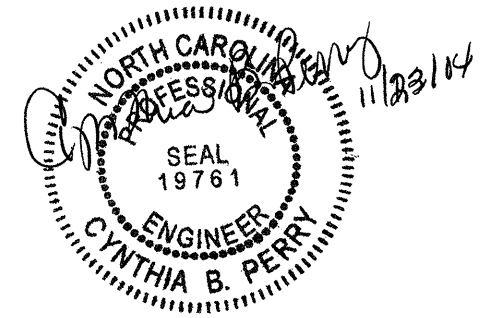
ENGLISH DETAIL DRAWING FOR
GUARDRAIL INSTALLATION

SHEET 6 OF 7
862D02

DESIGN SERVICES UNIT
STANDARDS AND SPECIAL DESIGN
Office 919-250-4128 FAX 919-250-4119

SEE PLATE FOR TITLE

ORIGINAL BY: 2002 STD. 862.02 DATE: 02-09-03
MODIFIED BY: E.E. WARD DATE: 4-29-04
CHECKED BY: Cynthia B. Perry DATE: 4-29-04
FILE SPEC.: /usr/stds/02todetail/eng/lish/86202/862d02.dgn



29-APR-2004 11:01 AM C:\Users\ward\stds\02\stds to Special Details\english\86202\0862d02.dgn
en:ward al uc:2/22/06