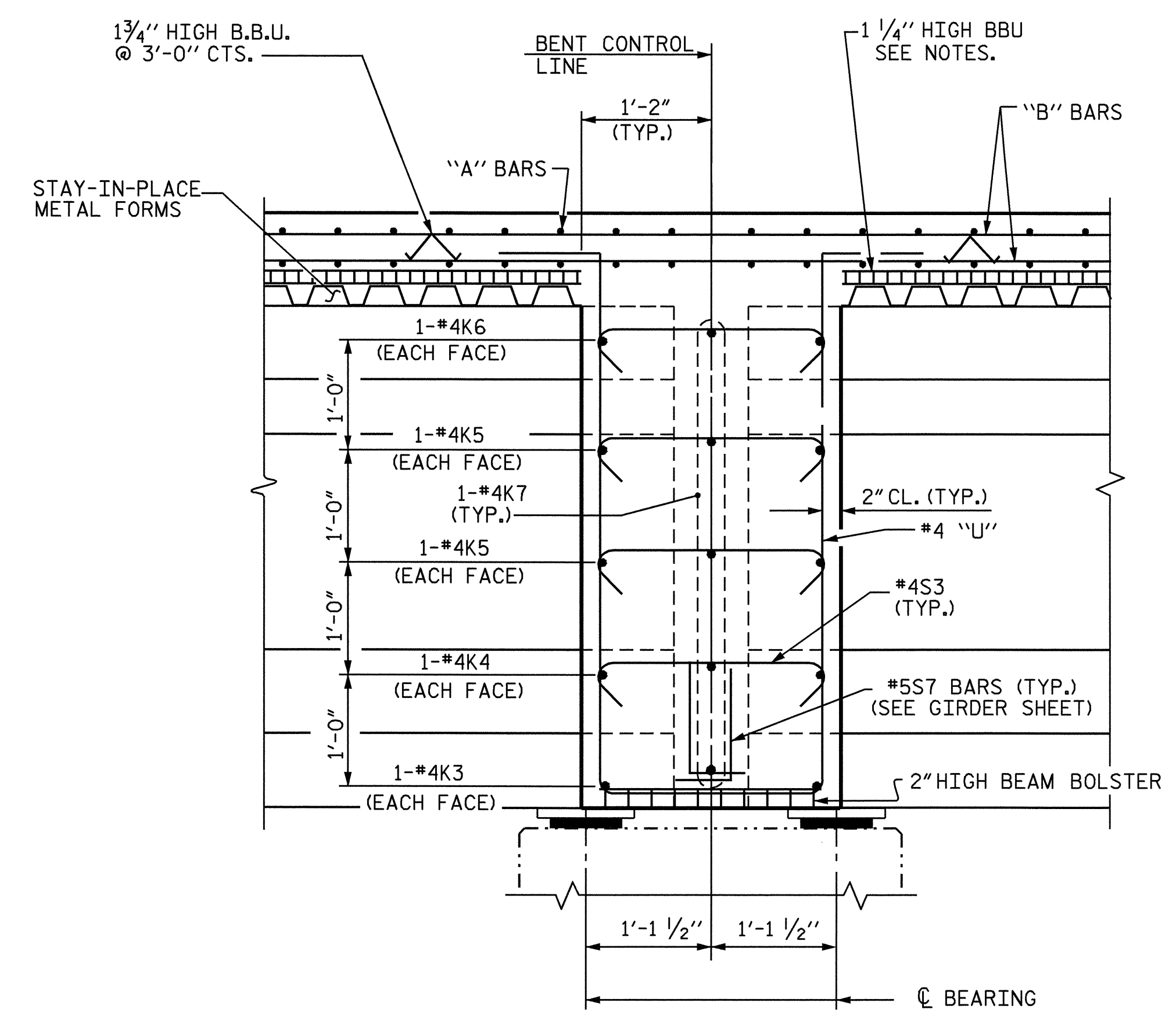
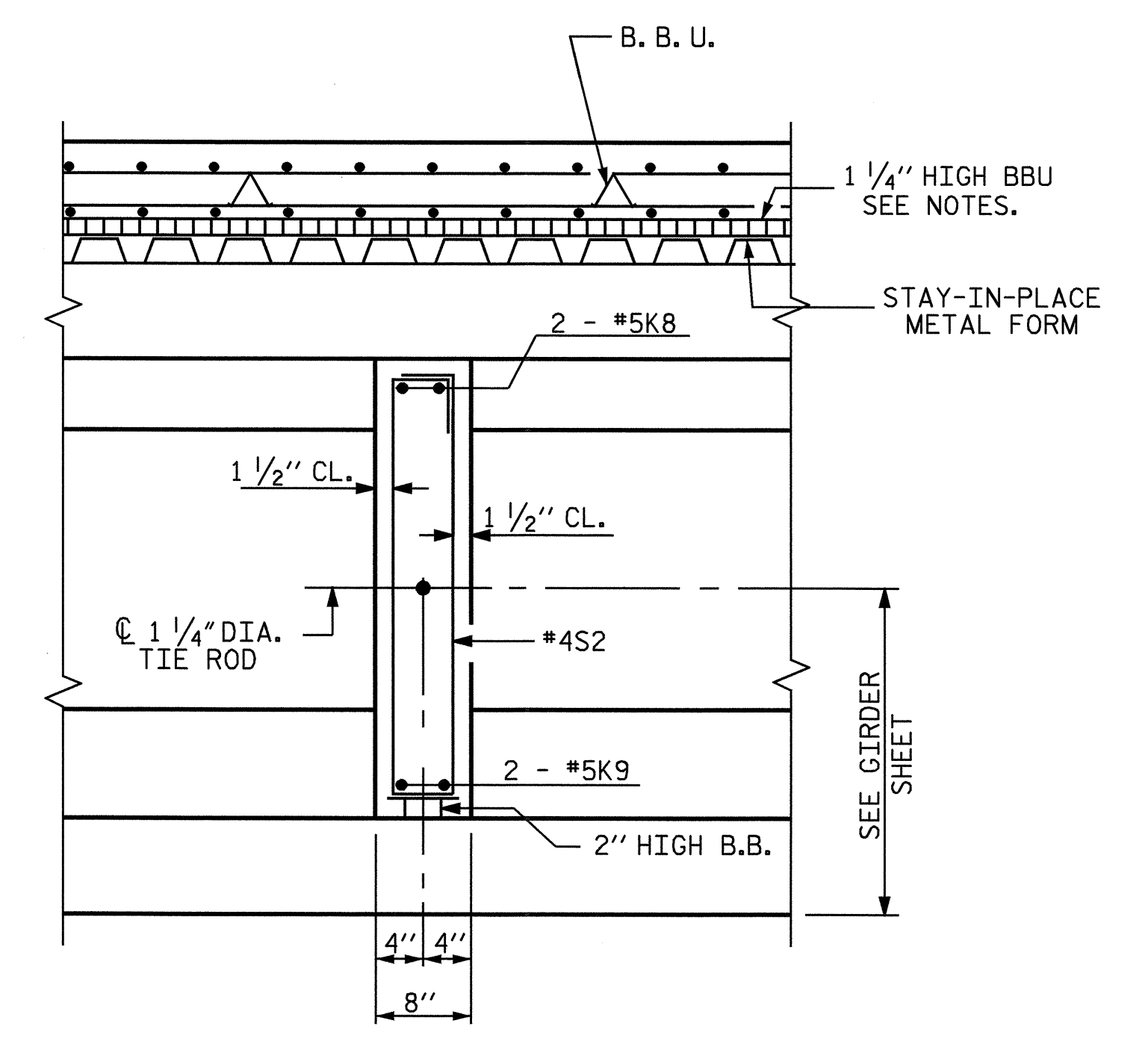


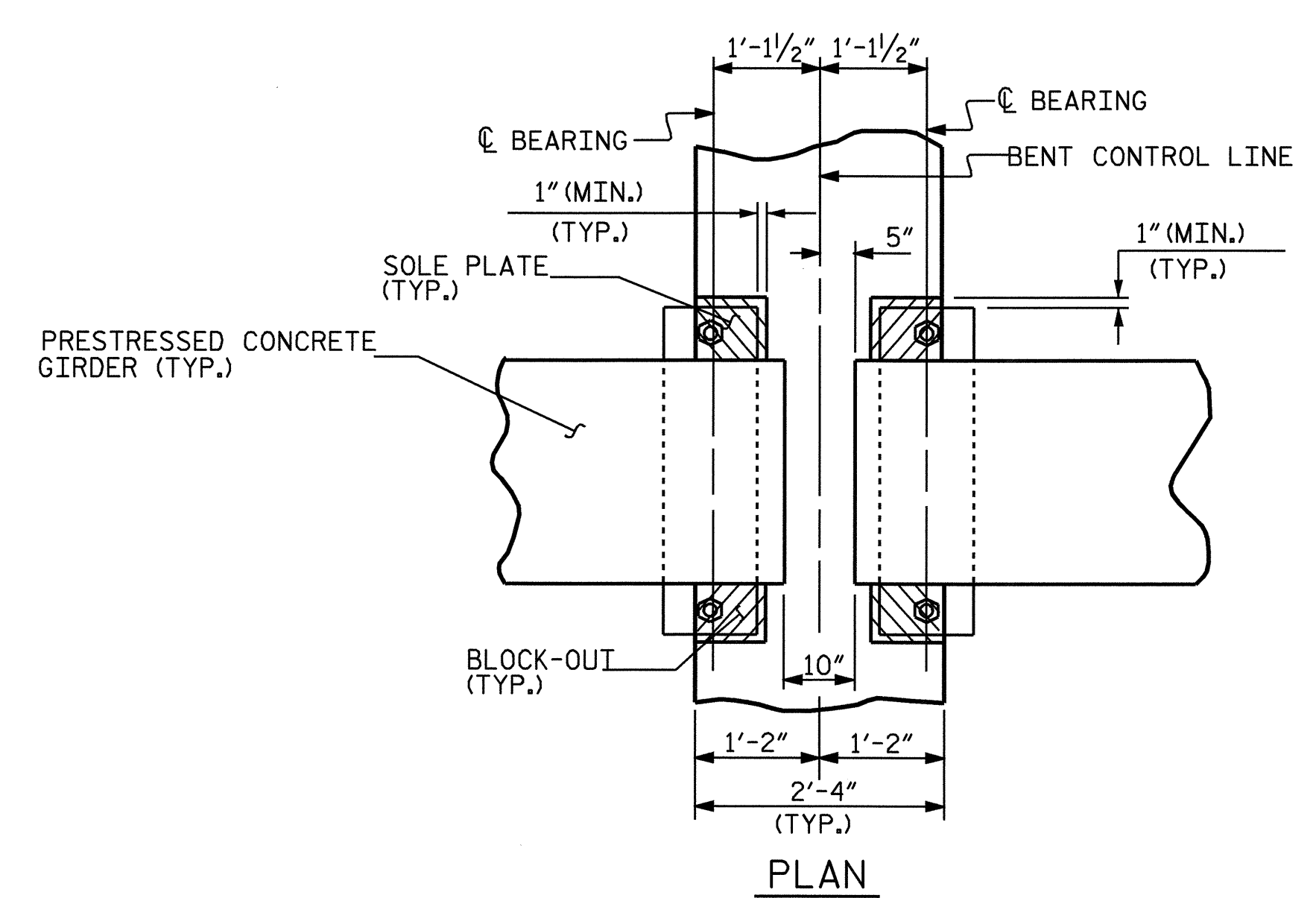
**SECTION THRU END BENT**



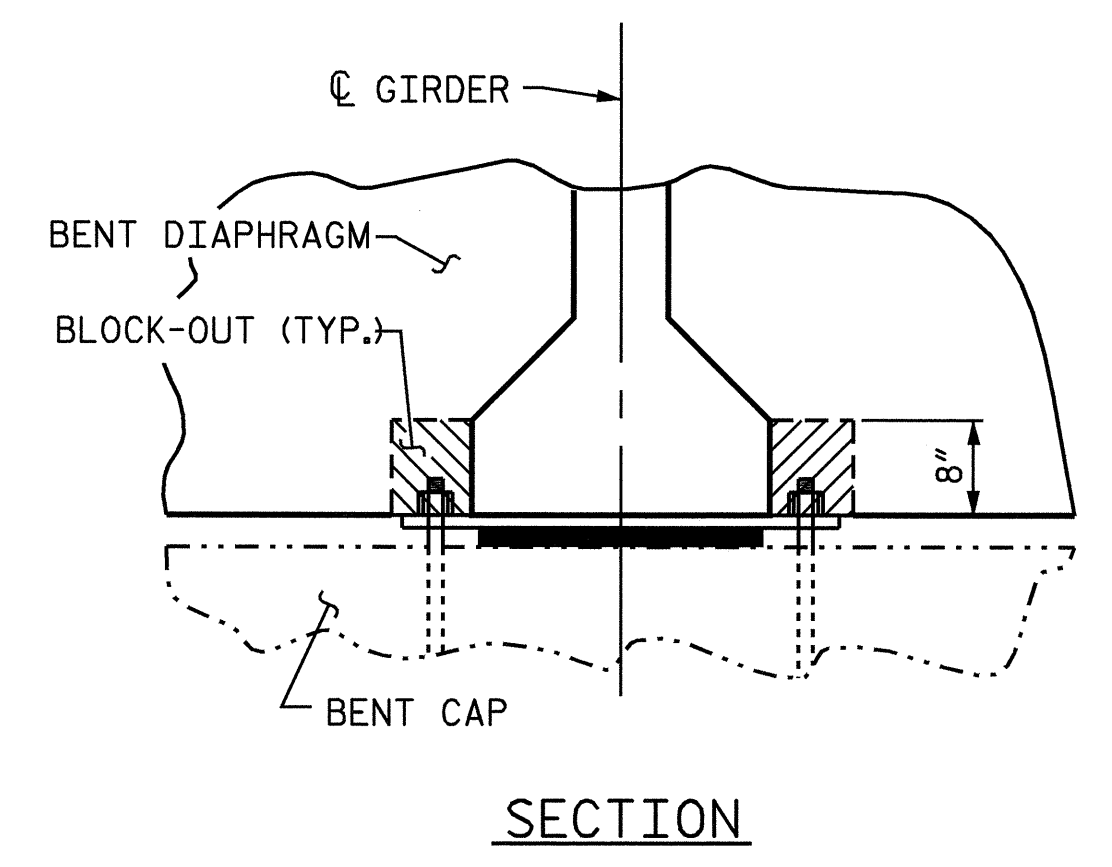
**SECTION THRU BENT DIAPHRAGM**



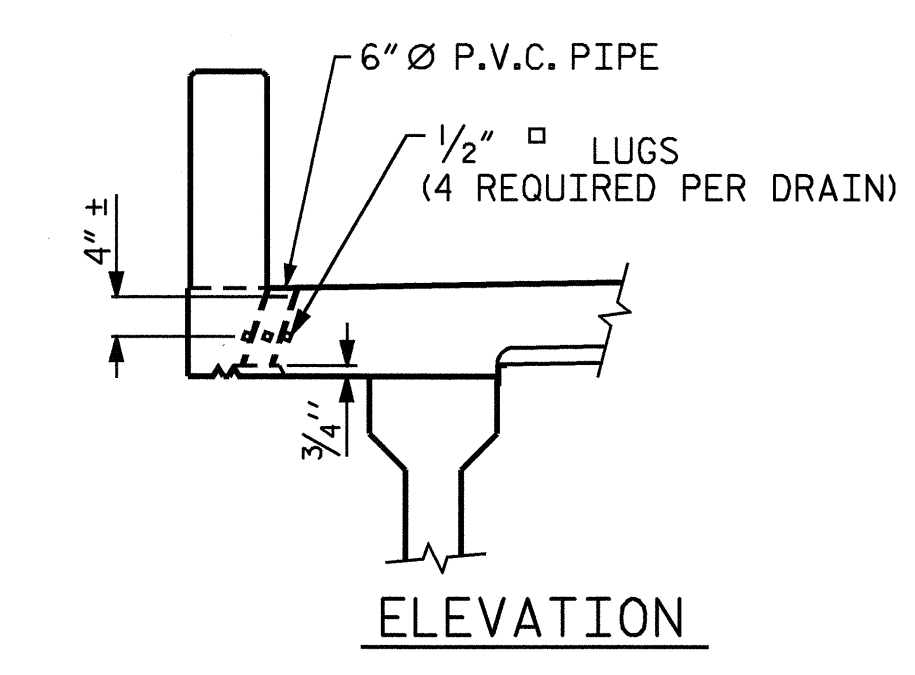
**SECTION THRU INTERMEDIATE DIAPHRAGM**



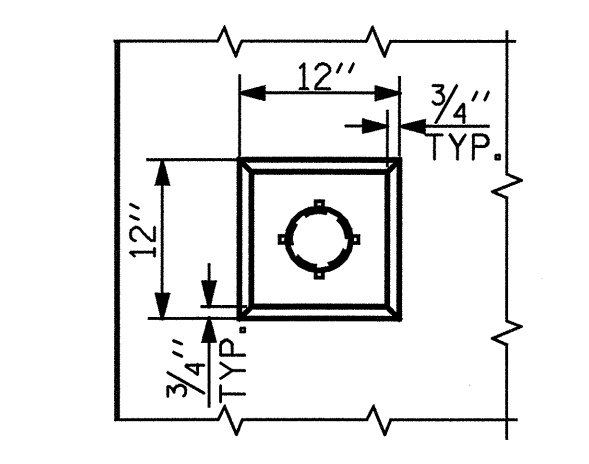
**BENT DIAPHRAGM BLOCKOUT DETAIL**  
GIRDER REINFORCING STEEL AND DETAIL NOT SHOWN FOR CLARITY



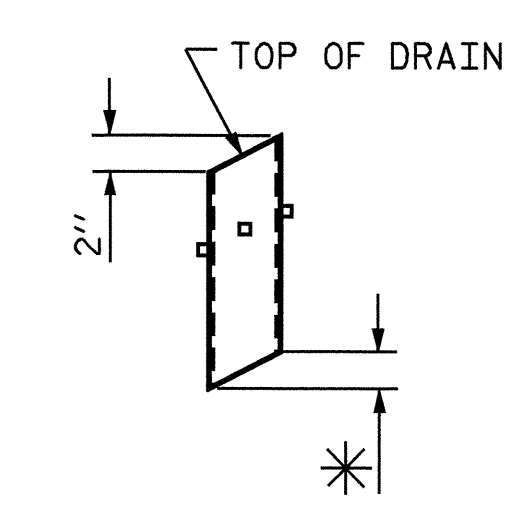
**SECTION**



**ELEVATION**

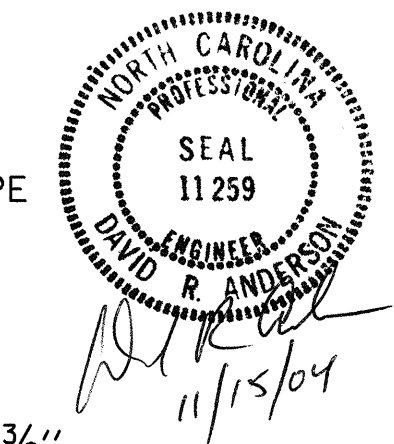


**PLAN OF RECESS**



**PIPE DETAIL**

\*TO BE SET TO MATCH SLOPE OF BOTTOM OF OVERHANG (16 DRAINS REQUIRED)  
TOP OF FLOOR DRAINS TO BE SET 3/8" BELOW SURFACE OF SLAB.  
4 - 1/2" LUGS TO BE GLUED TO THE P.V.C. PLASTIC PIPE AT EQUAL SPACES AROUND THE PIPE DRAIN.



PROJECT NO. B-3350  
IREDELL COUNTY  
STATION: 17+33.50 -L-  
SHEET 2 OF 2

STATE OF NORTH CAROLINA  
DEPARTMENT OF TRANSPORTATION  
RALEIGH

**SUPERSTRUCTURE  
TYPICAL SECTION**

REVISIONS						SHEET NO.
NO.	BY:	DATE:	NO.	BY:	DATE:	TOTAL SHEETS
1			3			5-5
2			4			35