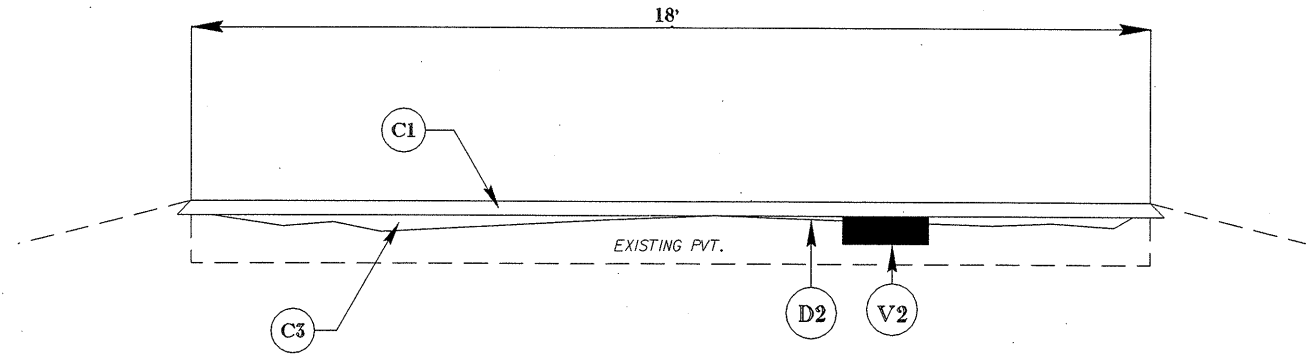


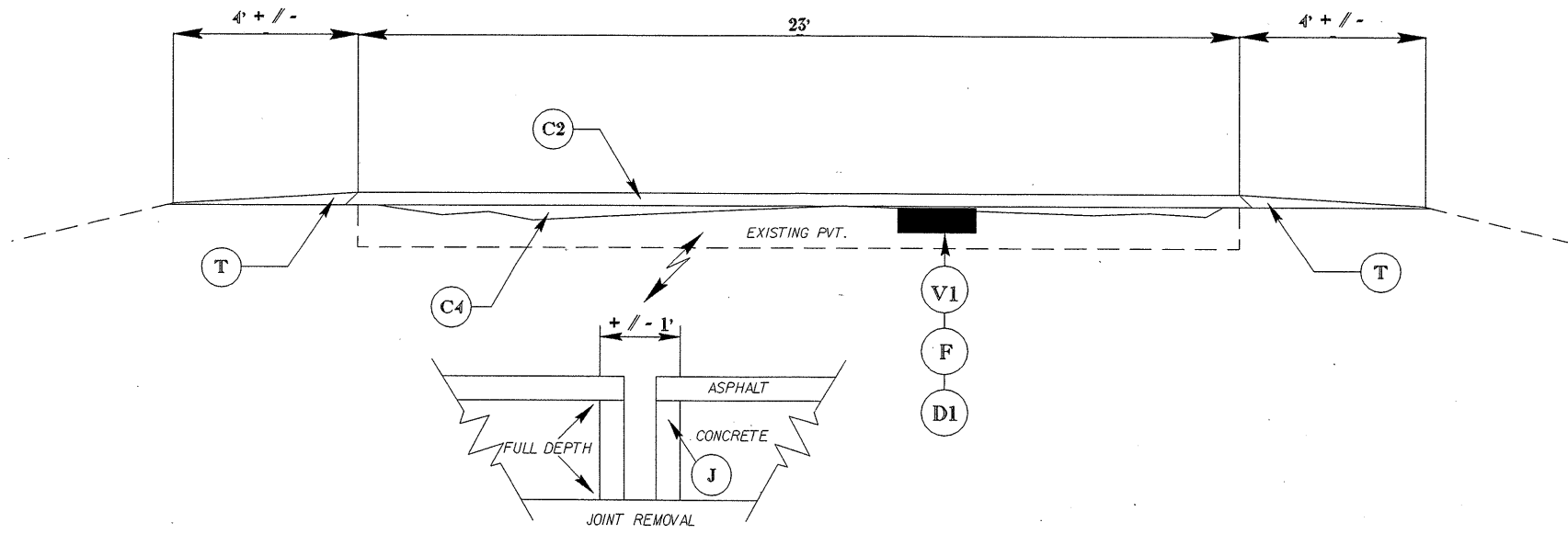
050197

TYPICAL 4



NOTE: MILLING AND WEDGING AT RXR CROSSING

TYPICAL 5



PROJECT REFERENCE NO.		SHEET NO.
14CR.10451.1		8 OF 9
STATE PROJECT	F.A. PROJECT NO.	DESCRIPTION
14CR.10451.1		
14CR.20451.1		