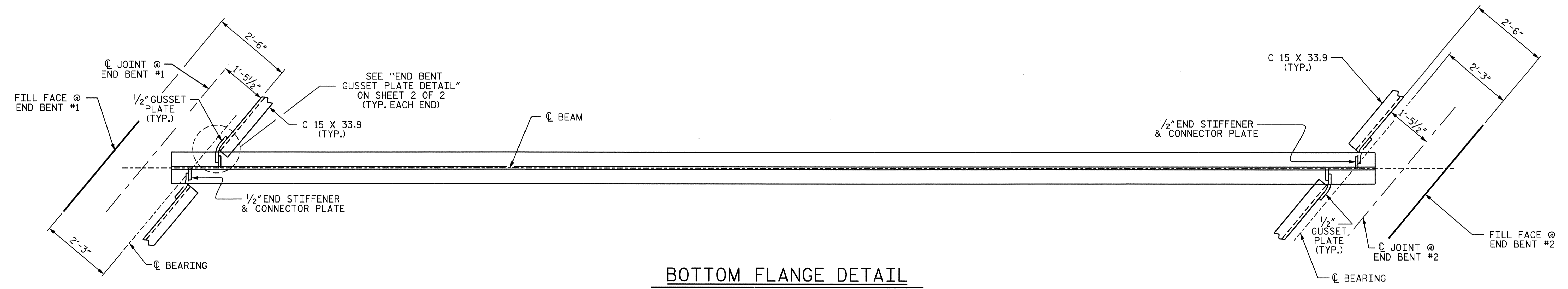
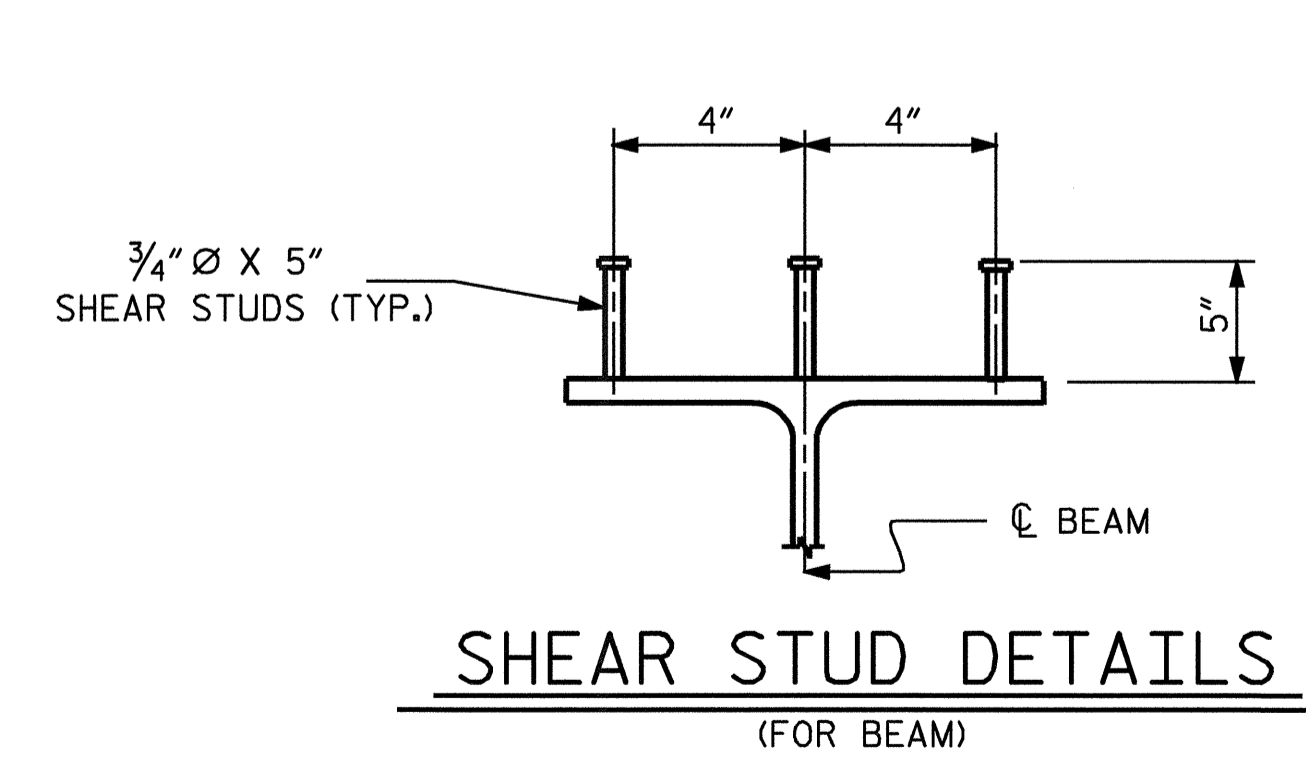


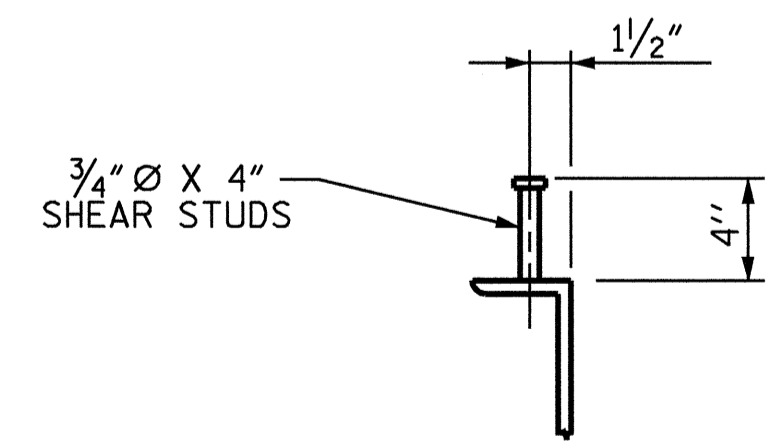
ELEVATION



BOTTOM FLANGE DETAIL



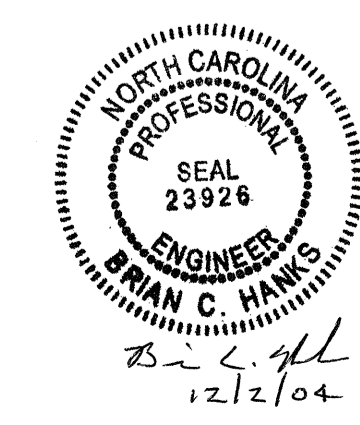
SHEAR STUD DETAILS
(FOR BEAM)



SHEAR STUD DETAILS
(TYPICAL EACH END BENT DIAPHRAGM)

PROJECT NO. B-3659
HAYWOOD COUNTY
 STATION: 14+42.00 -L-
 SHEET 1 OF 2

STATE OF NORTH CAROLINA
 DEPARTMENT OF TRANSPORTATION
 RALEIGH
 SUPERSTRUCTURE
 STRUCTURAL STEEL



DRAWN BY : D. G. ELY DATE : 08/27/03
 CHECKED BY : W. C. CARTER/ ABN DATE : 04/05/04

REVISIONS						SHEET NO.
NO.	BY:	DATE:	NO.	BY:	DATE:	S-7
1			3			TOTAL SHEETS
2			4			23