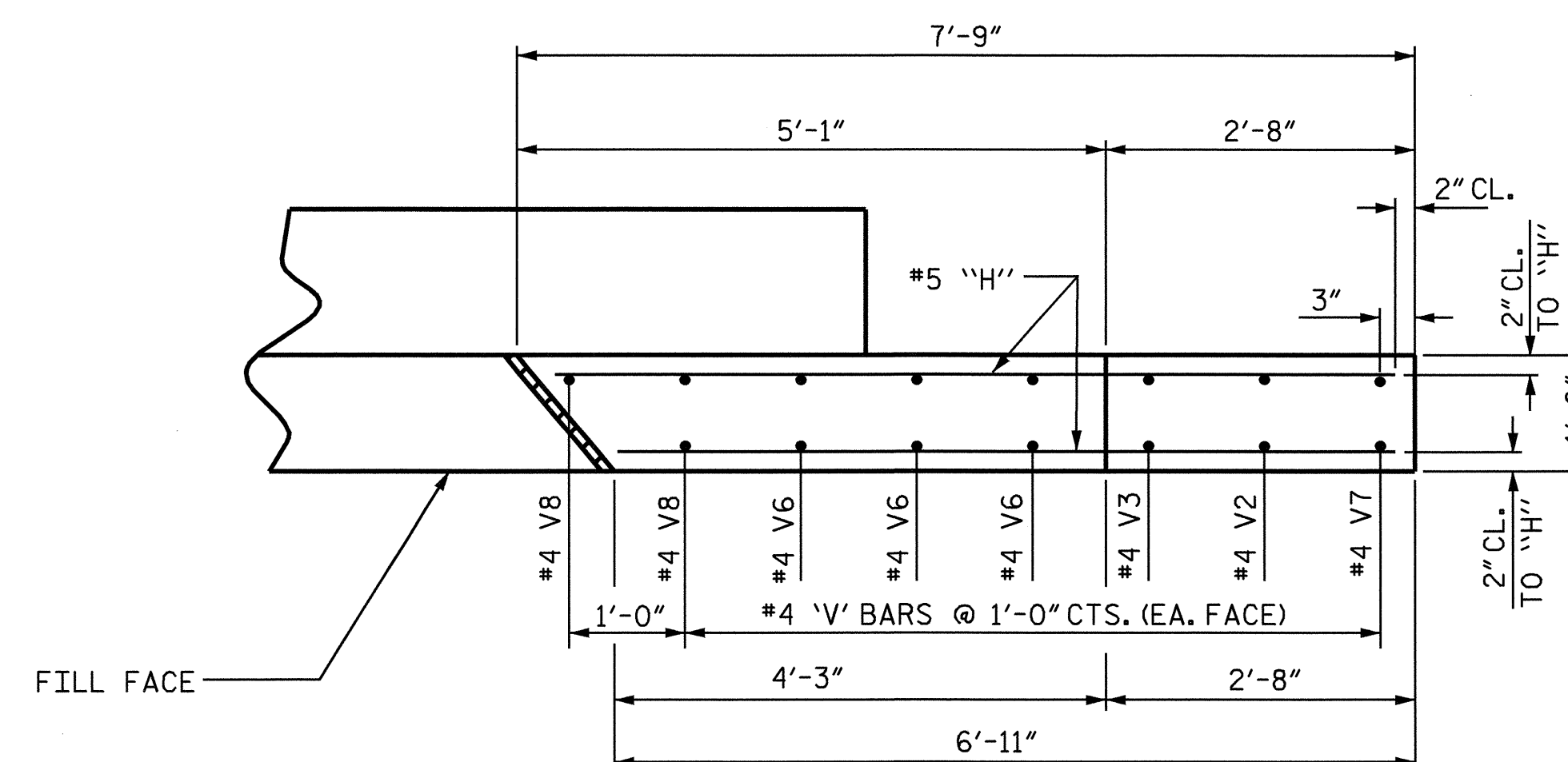
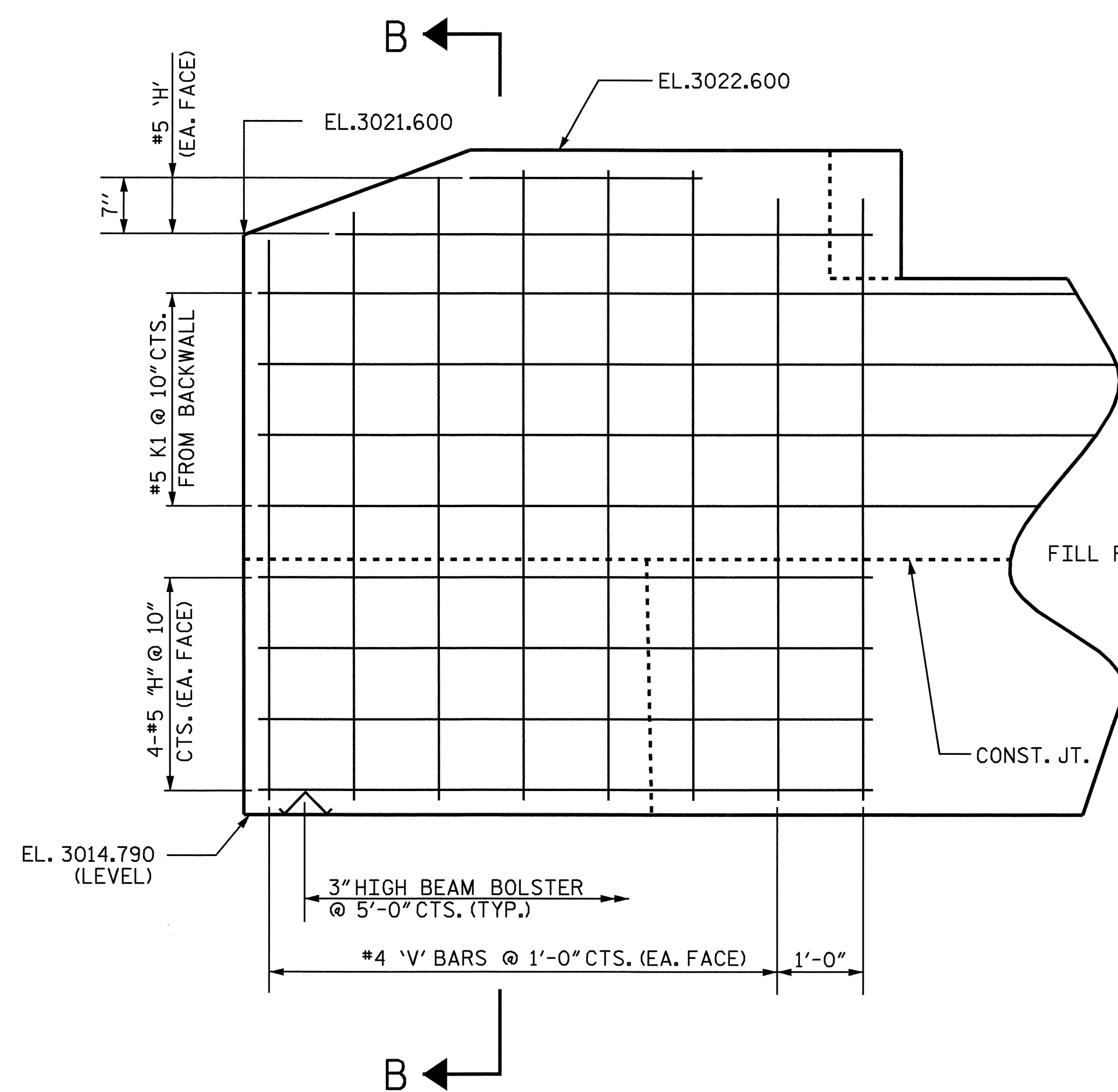


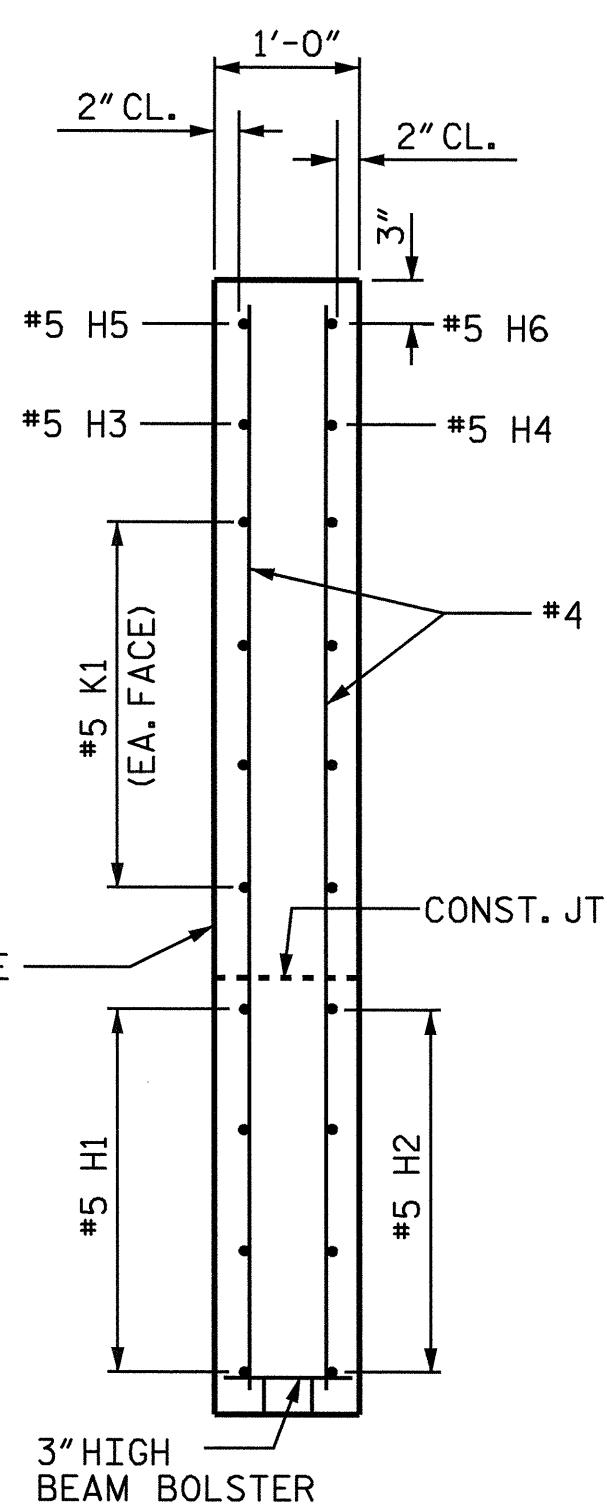
PLAN OF EARWALL - W1



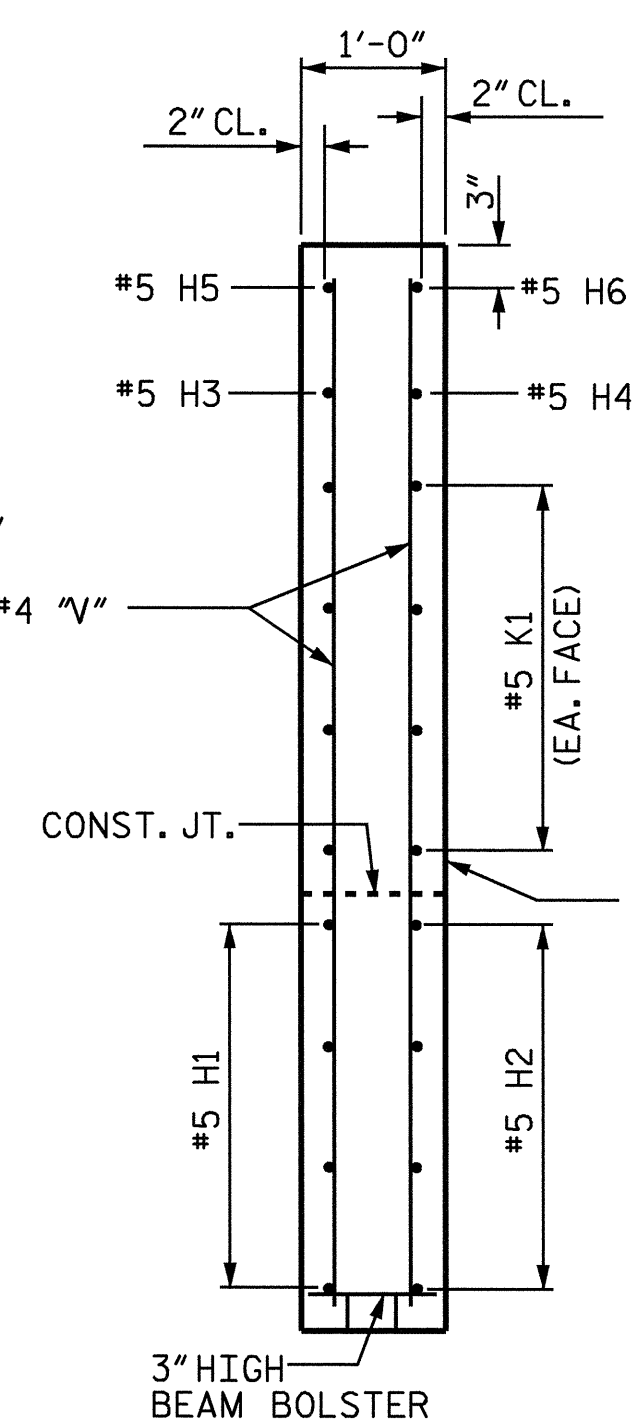
PLAN OF EARWALL - W2



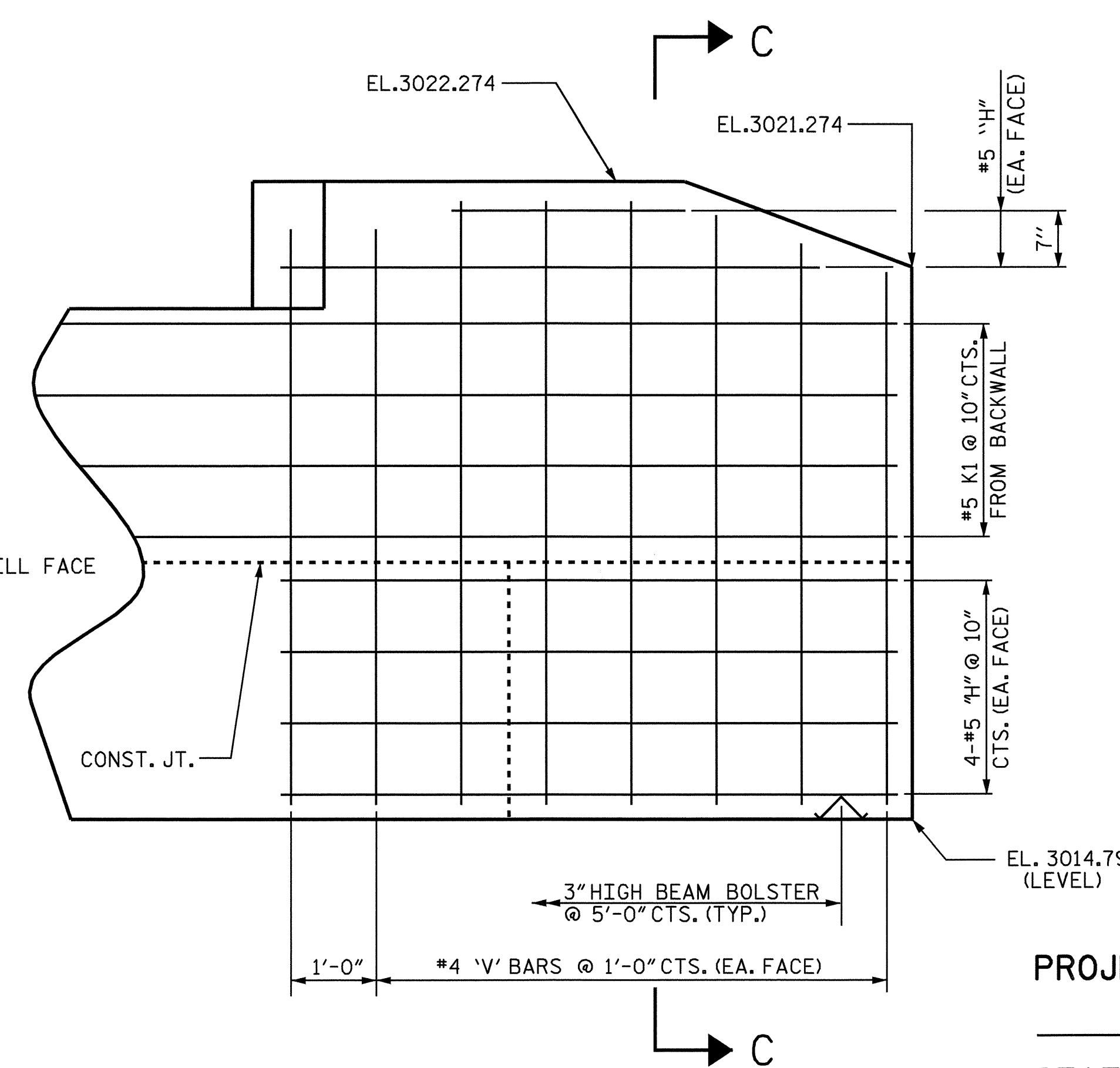
ELEVATION



SECTION B-B



SECTION C-C



ELEVATION

PROJECT NO. B-3659
HAYWOOD COUNTY
 STATION: 14+42.00 -L-

SHEET 2 OF 3

STATE OF NORTH CAROLINA
 DEPARTMENT OF TRANSPORTATION
 RALEIGH
 SUBSTRUCTURE
 END BENT 1



Brian C. Harris
 12/2/04

DRAWN BY : K. K. PUROHIT DATE : 01/07/04
 CHECKED BY : A. B. NAIK DATE : 02/05/04

30-NOV-2004 15:00
 W:\squad\TURNED_IN\B3659\FINAL_PLANS\B3659_SD_E*_01.dgn
 rwwright

REVISIONS						SHEET NO.	
NO.	BY:	DATE:	NO.	BY:	DATE:	S-15	
1			3			TOTAL SHEETS	
2			4			23	