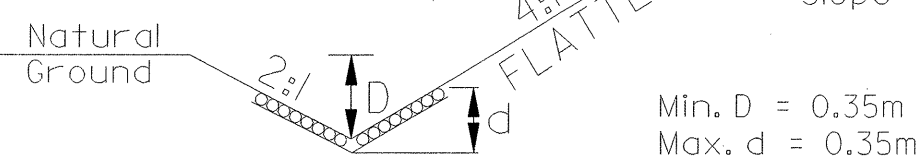


**NOTES:**

1) PROPOSED SEWER LATERALS SHALL BE INSTALLED BY DIRECT BORE AND JACK V DITCH METHOD (NO ENCASEMENT REQ'D) UNDER EXISTING HILLTOP ROAD. COST SHALL BE INCLUDED IN THE UNIT PRICE FOR "100 MM PVC SEWER PIPE, SDR 35".

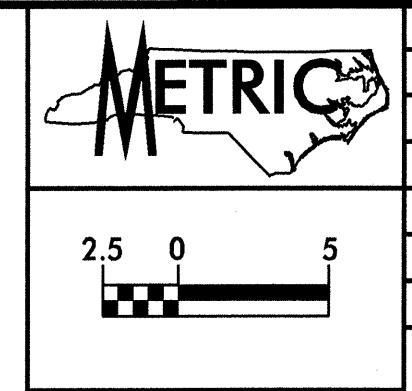
2) CONTRACTOR SHALL BE RESPONSIBLE FOR CONNECTING PROPOSED SEWER SERVICE LINES TO EXISTING BUILDING SEWER LINES OUTSIDE BUILDINGS. COST SHALL BE INCLUDED IN THE UNIT PRICE FOR "100 MM PVC SEWER PIPE, SCH 40". THE LOCATIONS OF EXISTING BUILDING SEWER LINES SHOWN ON THESE PLANS ARE APPROXIMATE AND SHALL BE VERIFIED BY THE CONTRACTOR.

**DETAIL H**  
SPECIAL CUT DITCH  
(Not to Scale)



**PROP. - 1 - SANITARY SEWER CLEANOUT**  
30 M OF 100 MM PVC SEWER PIPE, SDR 35  
CONNECT USING NECESSARY FITTINGS

**PROP. - 2 - BREAK DOWN & FILL ABANDONED SEPTIC TANKS**  
2 - SANITARY SEWER CLEANOUTS  
37 M OF 100 MM SEWER PIPE, SCH 40 PVC  
CONNECT USING NECESSARY FITTINGS

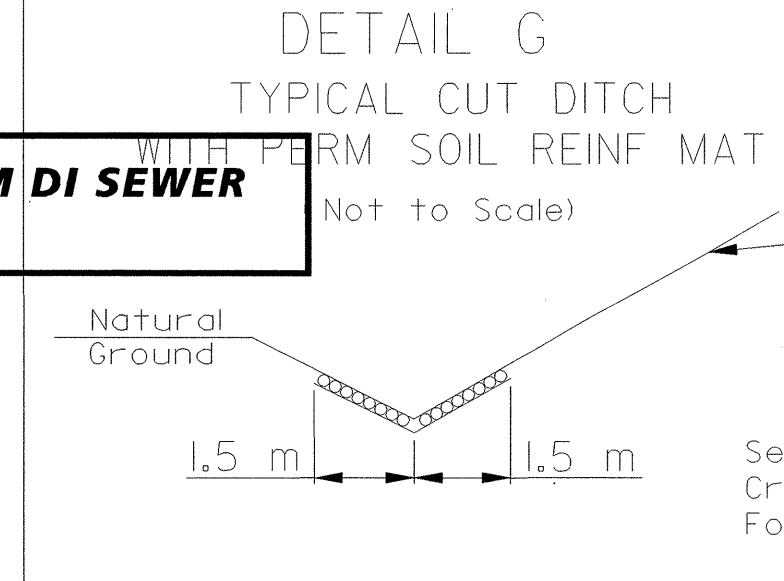
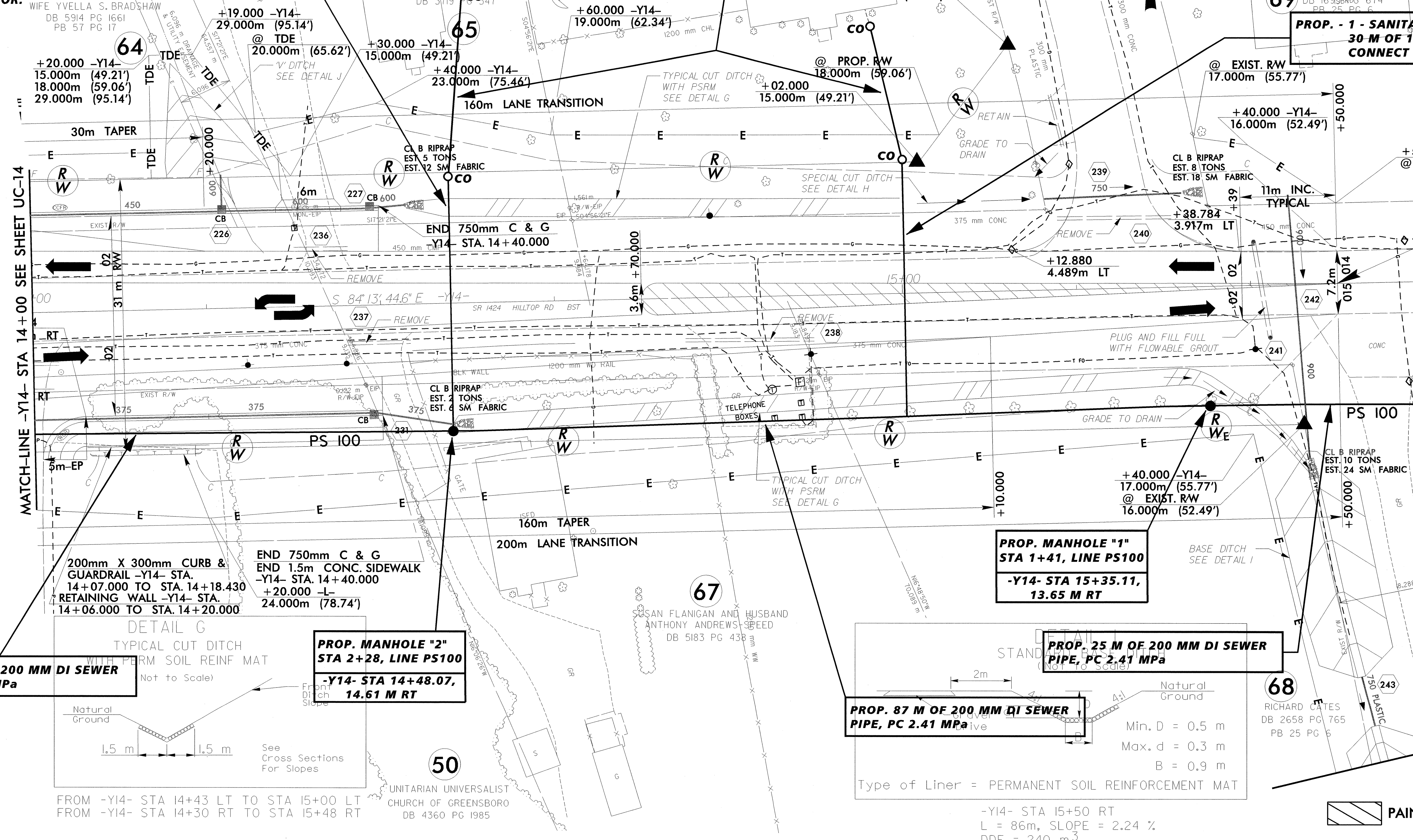


PROJECT REFERENCE NO. U-2913B	SHEET NO. UC-15
DESIGNED BY: DMP	
DRAWN BY: DMP	
CHECKED BY: DMP	
APPROVED BY:	
REVISED:	
NORTH CAROLINA DEPARTMENT OF TRANSPORTATION	
PROJECT SERVICES UNIT PHONE: (919) 250-4128 FAX: (919) 250-4119	
UTILITY CONSTRUCTION PLANS ONLY	

**UTILITY CONSTRUCTION**

MATCH-LINE -Y14- STA 14+00 SEE SHEET UC-14

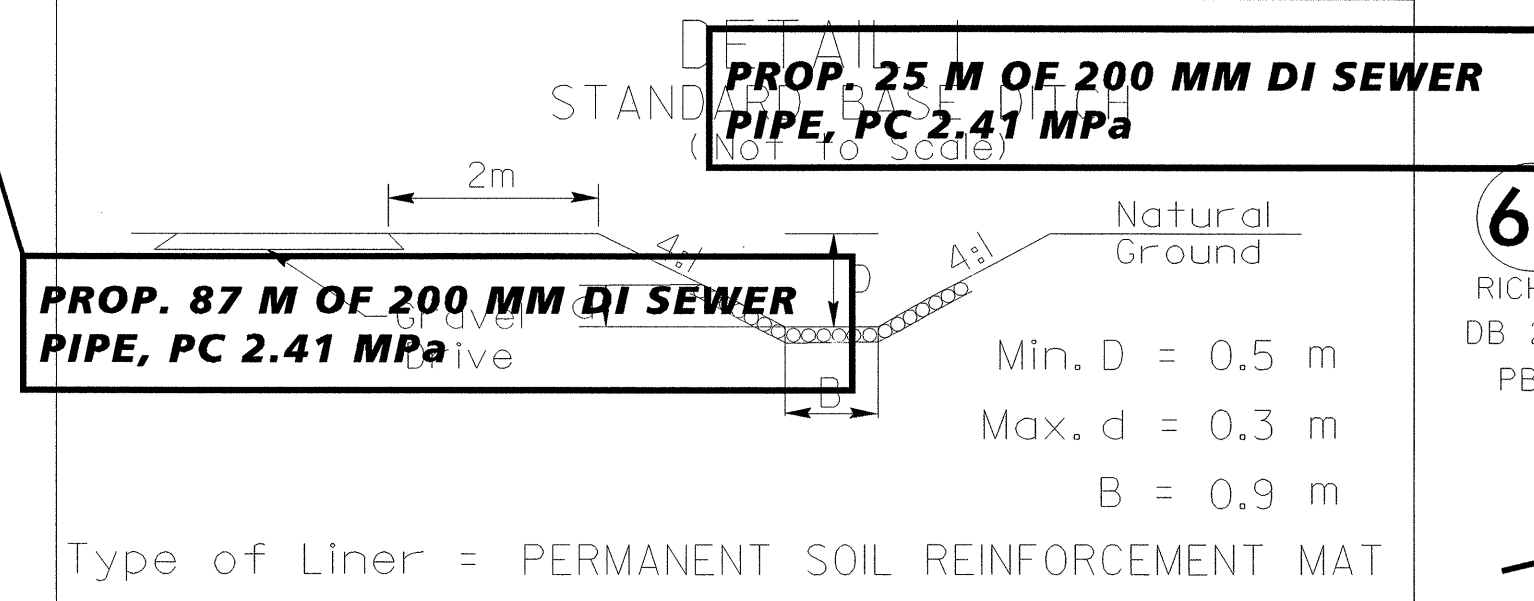
MATCH-LINE -U-2913B -Y14- STA 15+60 =  
-L- STA 18+50 (ENGLISH) ON FUTURE PROJECT U-3612  
SEE SHEET UC-16



**PROP. MANHOLE "2"**  
STA 2+28, LINE PS100  
-Y14- STA 14+48.07,  
14.61 M RT

**PROP. 48 M OF 200 MM DI SEWER PIPE, PC 2.41 MPa**

**PROP. MANHOLE "1"**  
STA 1+41, LINE PS100  
-Y14- STA 15+35.11,  
13.65 M RT



**NOTE: FINAL LIFT OF 35mm S9.5C FROM -Y14- STA. 14+20 TO STA. 15+50 WILL BE PLACED UNDER THE U-3612 PROJECT.**

PAINT STRIPING