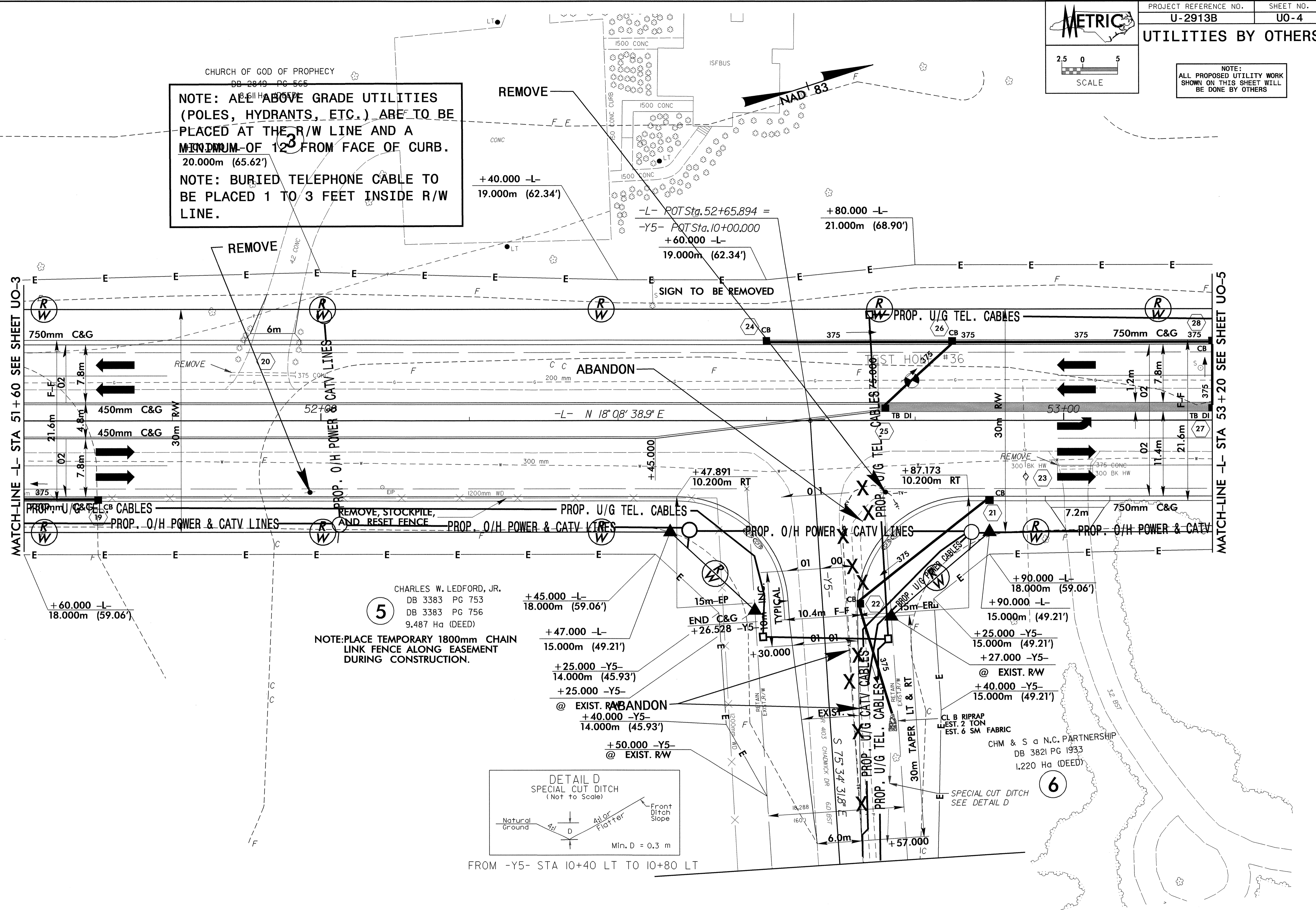


UTILITIES BY OTHERS

NOTE: ALL PROPOSED UTILITY WORK SHOWN ON THIS SHEET WILL BE DONE BY OTHERS

NOTE: ALL ABOVE GRADE UTILITIES (POLES, HYDRANTS, ETC.) ARE TO BE PLACED AT THE R/W LINE AND A MINIMUM OF 12' FROM FACE OF CURB.
20.000m (65.62')

NOTE: BURIED TELEPHONE CABLE TO BE PLACED 1 TO 3 FEET INSIDE R/W LINE.

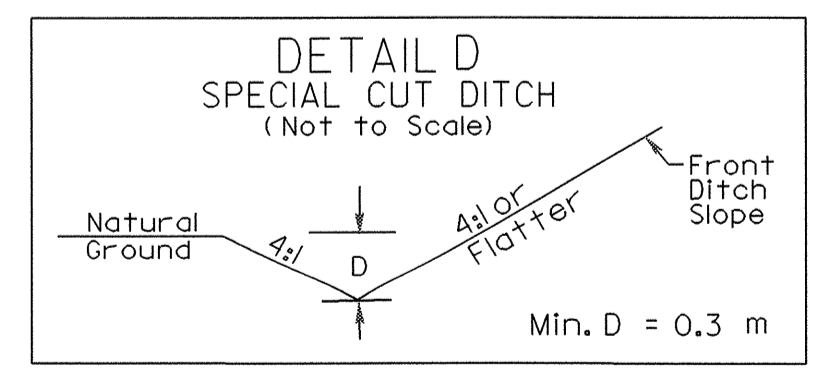


MATCH-LINE -L- STA 51+60 SEE SHEET UO-3

MATCH-LINE -L- STA 53+20 SEE SHEET UO-5

5 CHARLES W. LEDFORD, JR.
DB 3383 PG 753
DB 3383 PG 756
9,487 Ha (DEED)

NOTE: PLACE TEMPORARY 1800mm CHAIN LINK FENCE ALONG EASEMENT DURING CONSTRUCTION.



FROM -Y5- STA 10+40 LT TO 10+80 LT

6 CHM & S a N.C. PARTNERSHIP
DB 3821 PG 1933
1,220 Ha (DEED)

MONOLITHIC ISLAND
SEE SHEET 24 FOR -L- PROFILE
SEE SHEET 31 FOR -Y5- PROFILE

042557
07-OCT-2004 13:54
U:\u2913bs\U04\p04.dwg
ajaneba