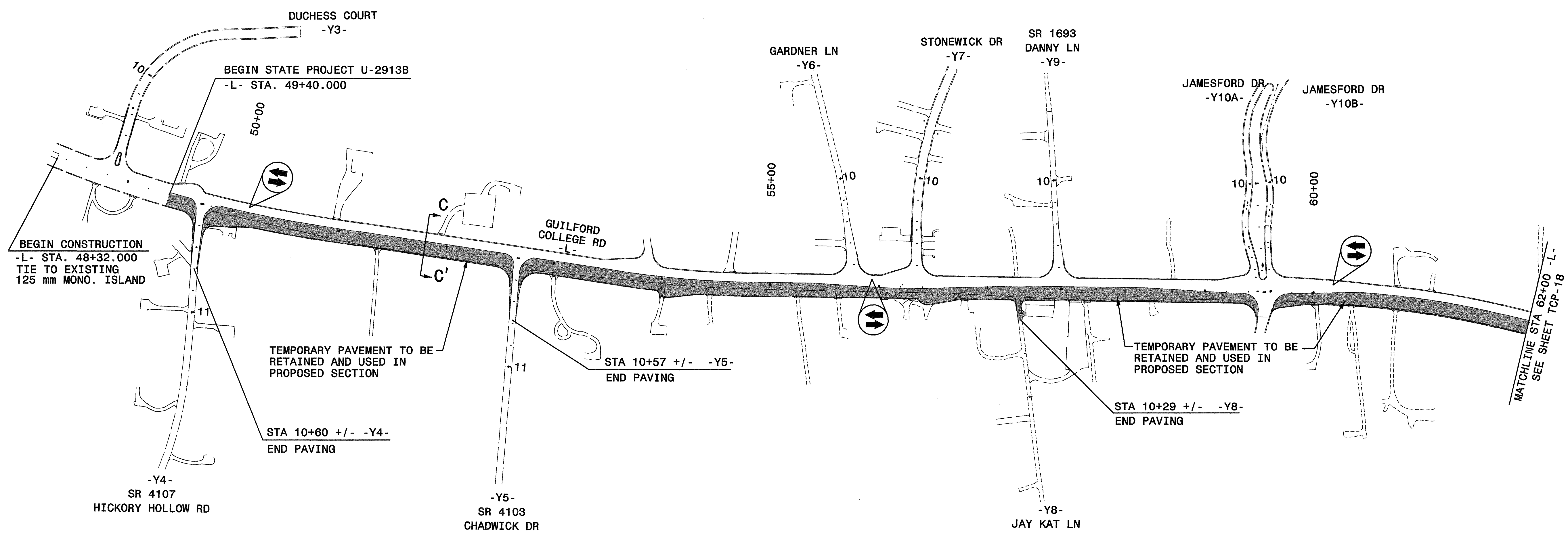




PROJ. REFERENCE NO.	SHEET NO.
U-2913B	TCP-17

**GREENHORNE & O'MARA, INC.**  
 5565 CENTERVIEW DRIVE, SUITE 107  
 RALEIGH, NORTH CAROLINA 27606  
 (919) 851-1919



BEGIN CONSTRUCTION  
 -L- STA. 48+32.000  
 TIE TO EXISTING  
 125 mm MONO. ISLAND

BEGIN STATE PROJECT U-2913B  
 -L- STA. 49+40.000

TEMPORARY PAVEMENT TO BE  
 RETAINED AND USED IN  
 PROPOSED SECTION

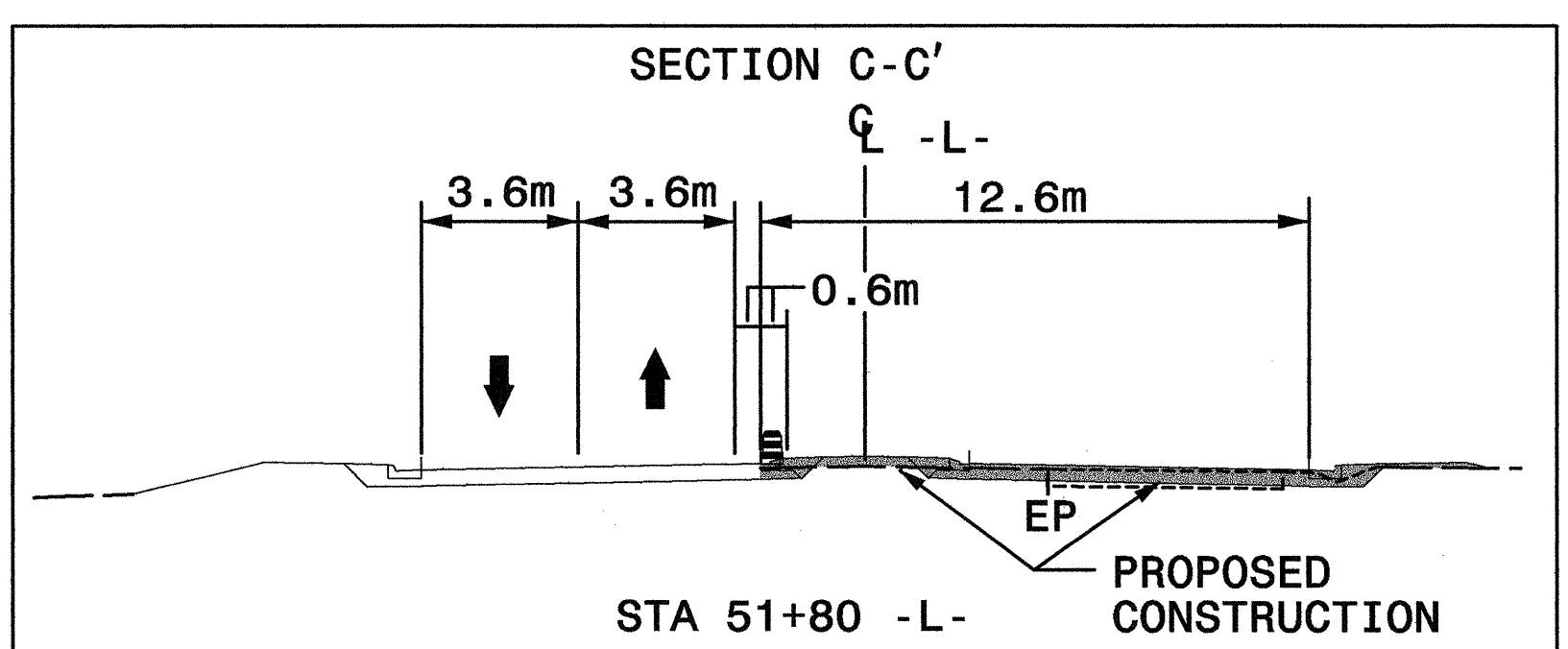
STA 10+60 +/- -Y4-  
 END PAVING

STA 10+57 +/- -Y5-  
 END PAVING

TEMPORARY PAVEMENT TO BE  
 RETAINED AND USED IN  
 PROPOSED SECTION

STA 10+29 +/- -Y8-  
 END PAVING

MATCHLINE STA 62+00 -L-  
 SEE SHEET TCP-18

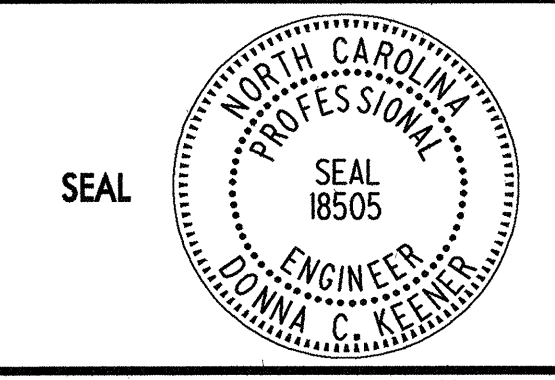


NOTE: THIS CUT SECTION IS TYPICAL FOR THE PHASE II TRAFFIC PATTERN.

**LEGEND**

= PROPOSED CONSTRUCTION

APPROVED: *Donna C. Yeener* DATE: 9/14/04



**PHASE II OVERVIEW (A)**

SCALE:	NONE		<table border="1"> <tr> <th colspan="2">REVISIONS</th> </tr> <tr> <td> </td> <td> </td> </tr> <tr> <td> </td> <td> </td> </tr> <tr> <td> </td> <td> </td> </tr> </table>	REVISIONS							
REVISIONS											
DATE:	9/14/04										
DWG. BY:	JSB/PMW										
DESIGN BY:	JSB/PMW										
REVIEWED BY:	DCK	CADD FILE	OVERVIEW2A.DGN								

\$\$\$\$\$ SYSTEM TIME \$\$\$  
 \$\$\$ USER: JENAMER \$\$\$