

5/14/99

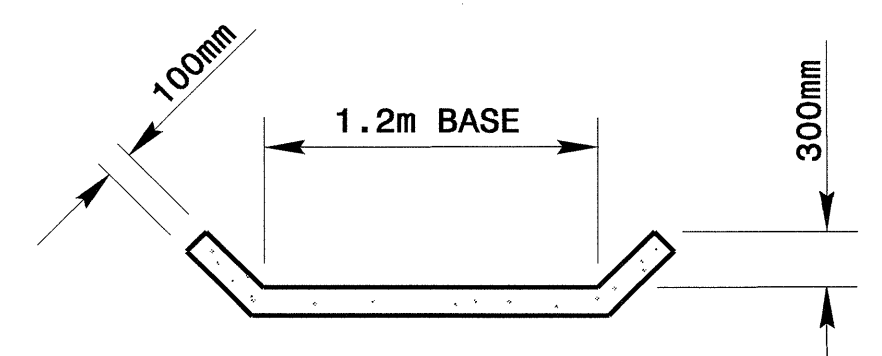


GENERAL NOTES:

WIDTH AND SHAPE OF PROPOSED CONCRETE FLUME AND ETC. SHALL BE AS SHOWN OR AS DIRECTED BY THE ENGINEER.

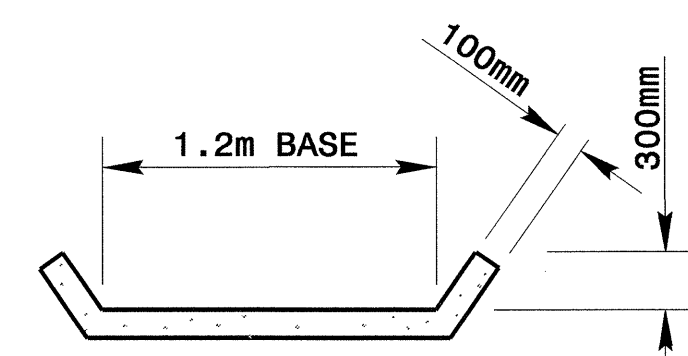
REINFORCING BARS ARE TO BE ASTM A615, GRADE 60.

THE FOLLOWING SHALL BE CONSTRUCTED IN ACCORDANCE WITH N.C. ROADWAY SPECIFICATIONS, CONCRETE CURB AND GUTTER-SECTION 846, CONCRETE FLUME COVER (TO BE CONSTRUCTED UNDER SIDEWALK SPECIFICATIONS) SECTION 848, CONCRETE PAVED DITCH- SECTION 850.



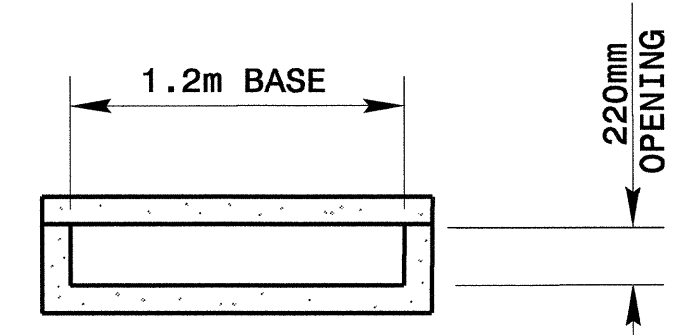
SECTION C-C

CONCRETE PAVED DITCH



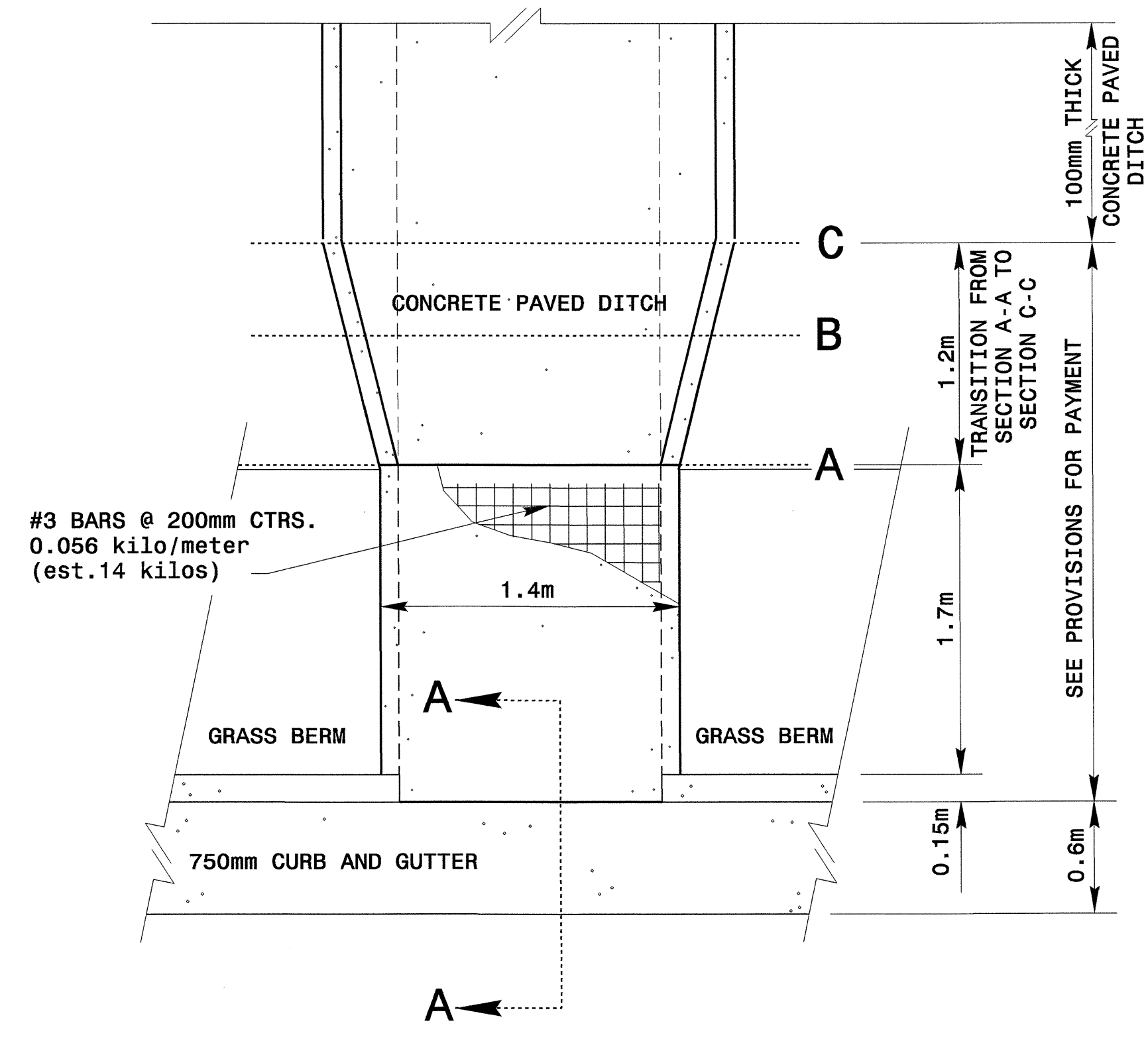
SECTION B-B

CONCRETE PAVED DITCH

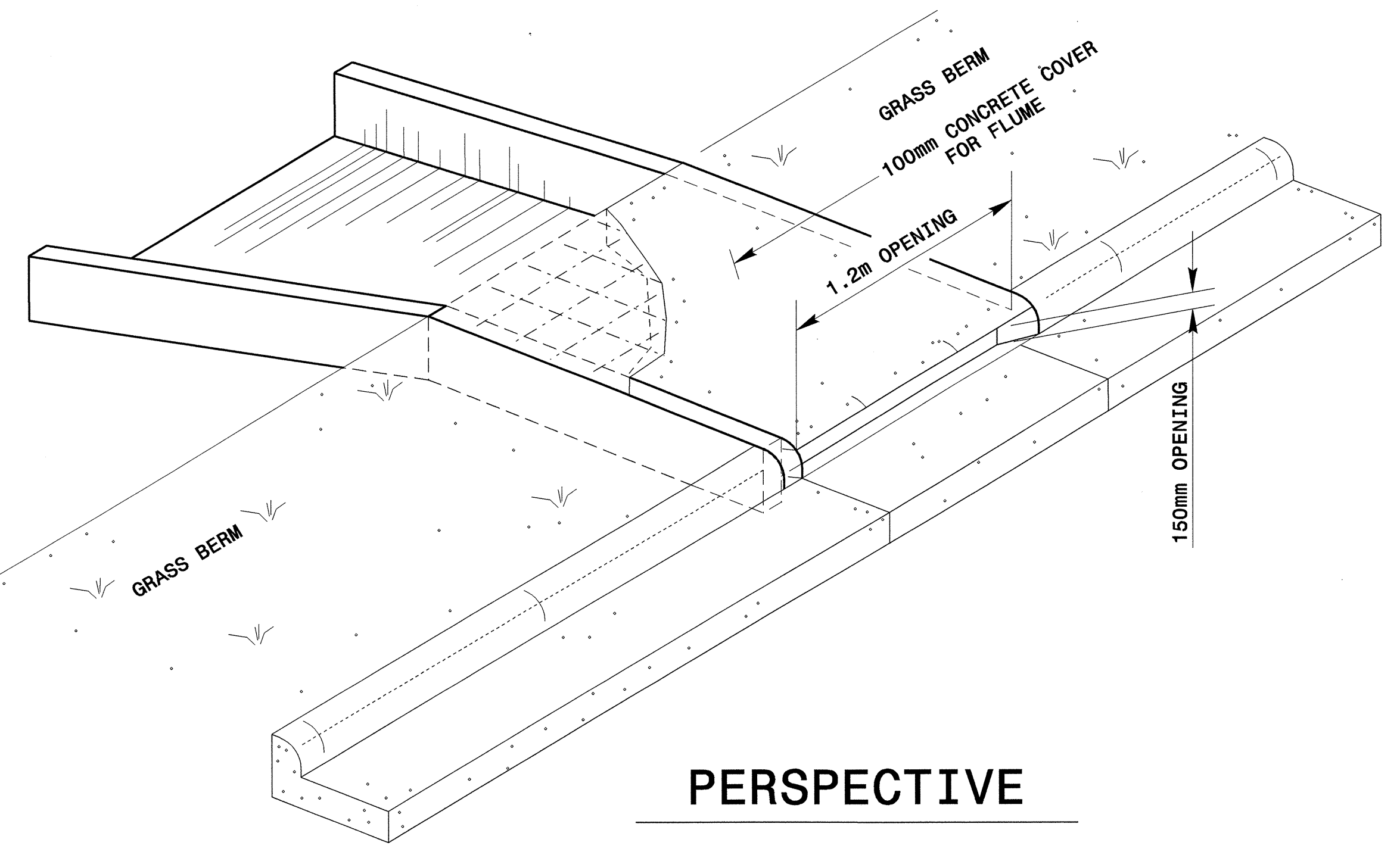


SECTION A-A

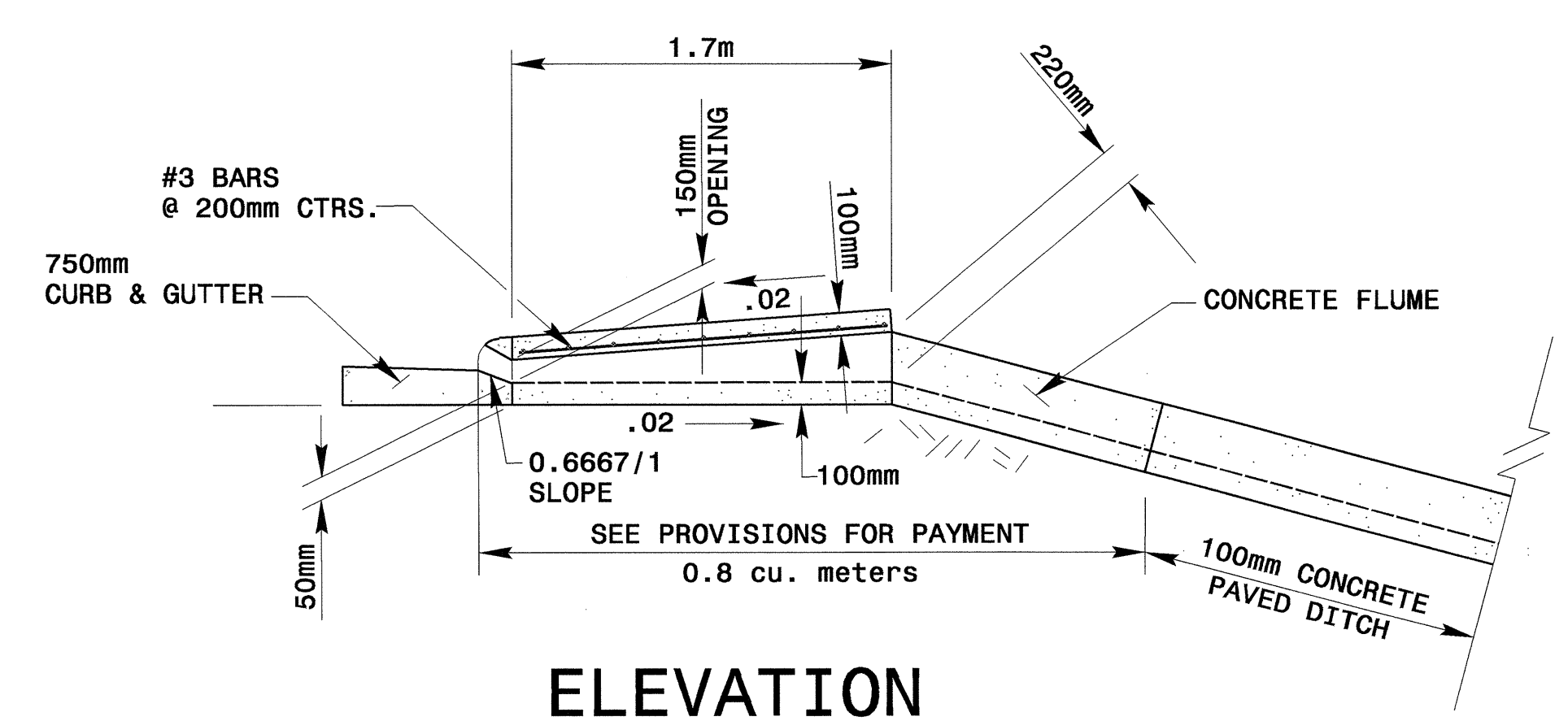
CONCRETE PAVED DITCH
CONCRETE FLUME



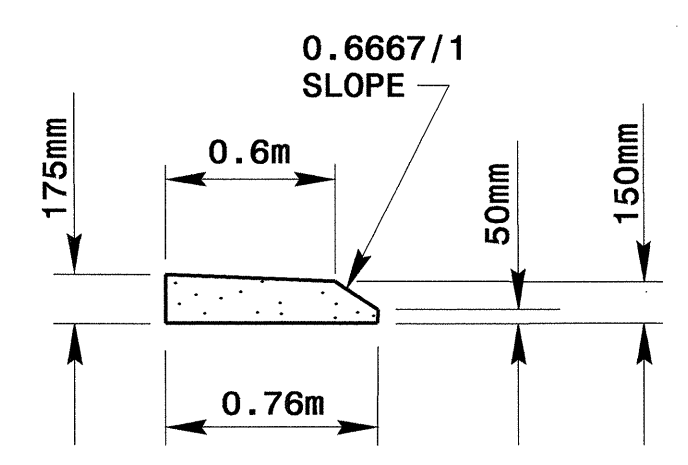
PLAN



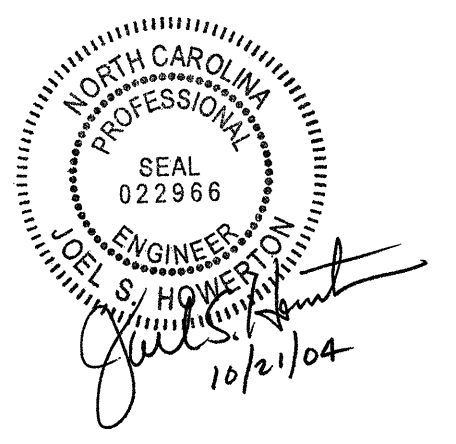
PERSPECTIVE



ELEVATION



SECTION A-A



DESIGN SERVICES UNIT
STANDARDS AND SPECIAL DESIGN
 Office 919-250-4128 FAX 919-250-4119

CONCRETE FLUME DETAIL

ORIGINAL BY: _____ DATE: _____
 MODIFIED BY: rnbritt DATE: 08-31-04
 CHECKED BY: _____ DATE: _____
 FILE SPEC.: special_details/rnbritt/metric/u2913bretwall.dgn