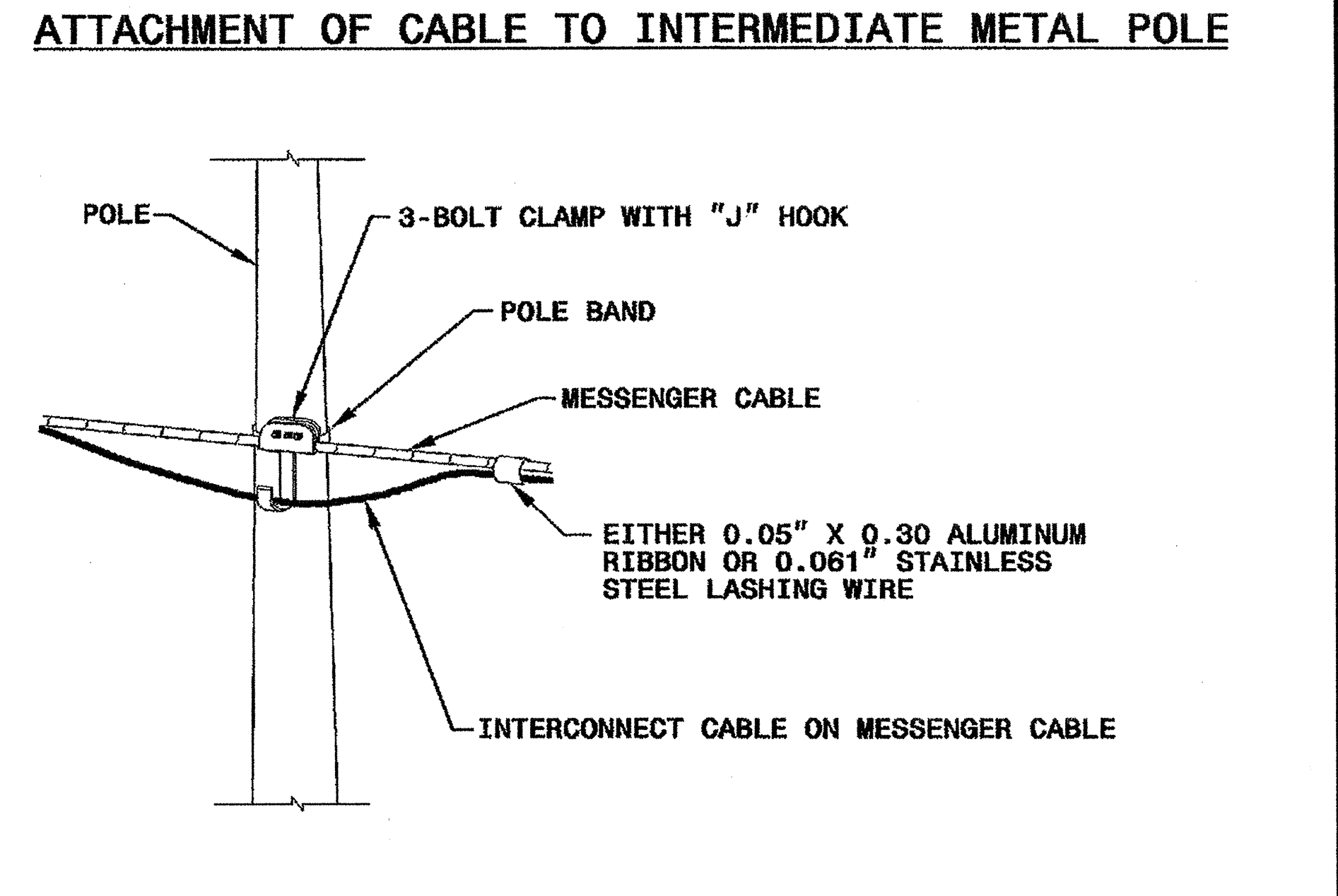
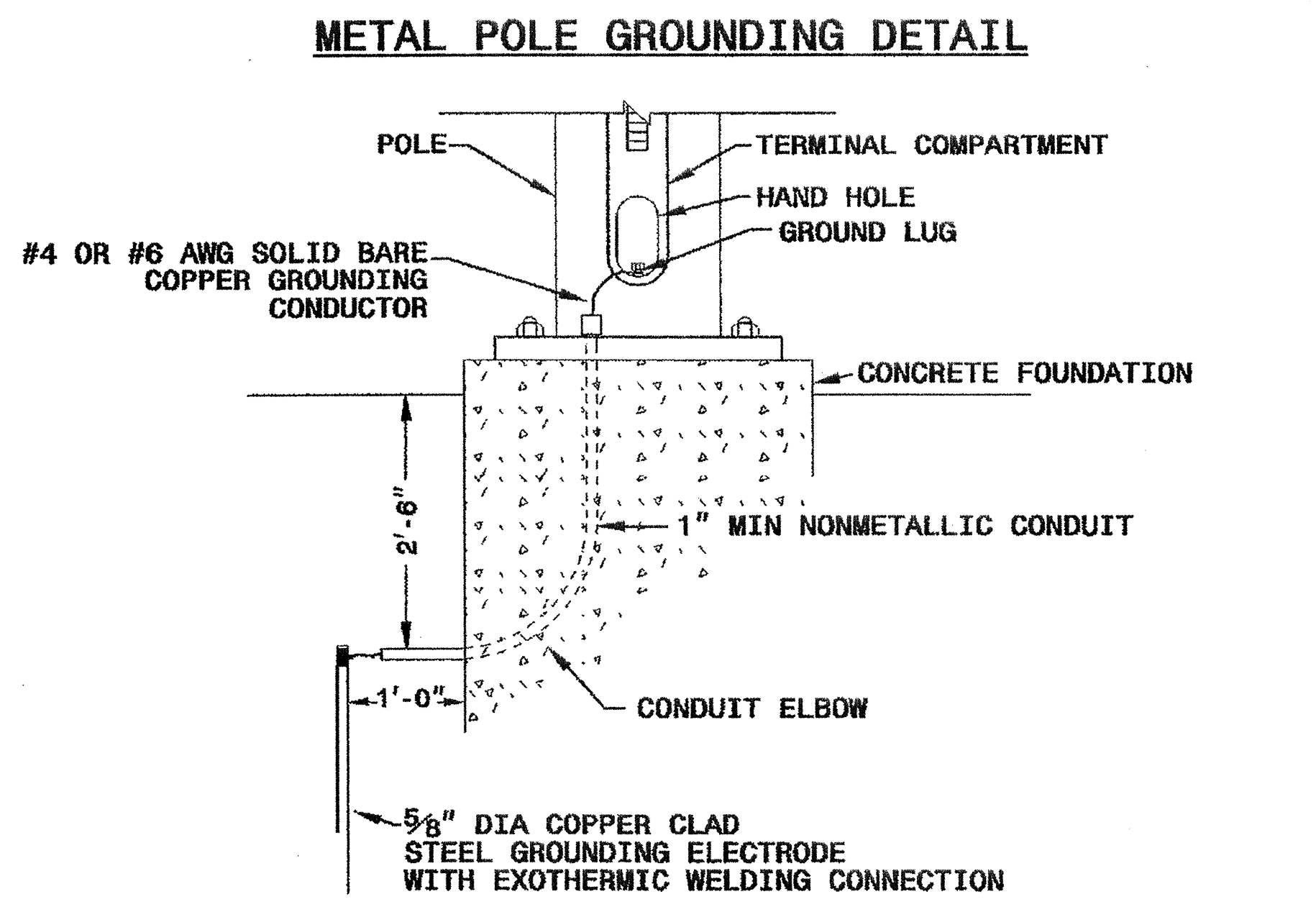
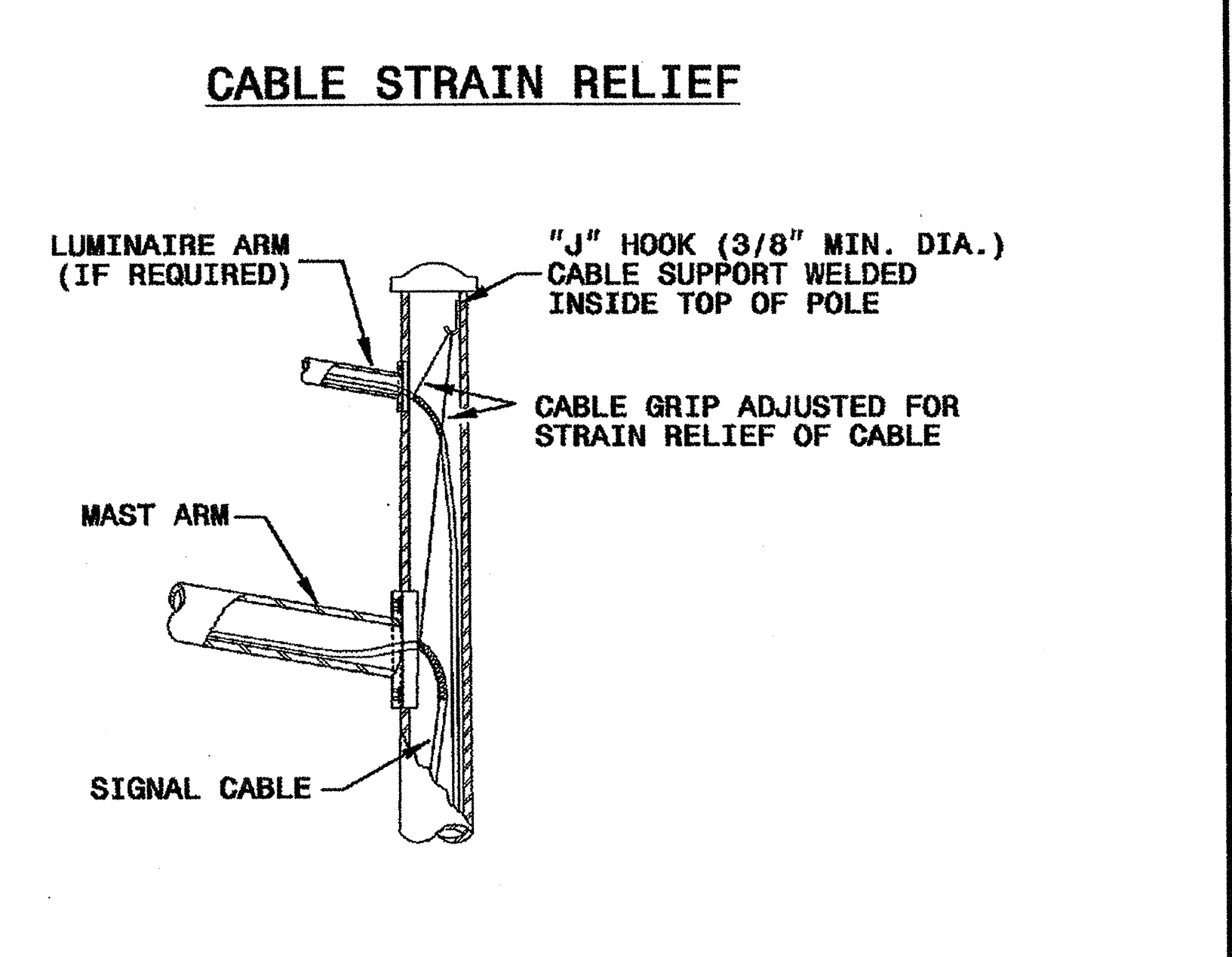
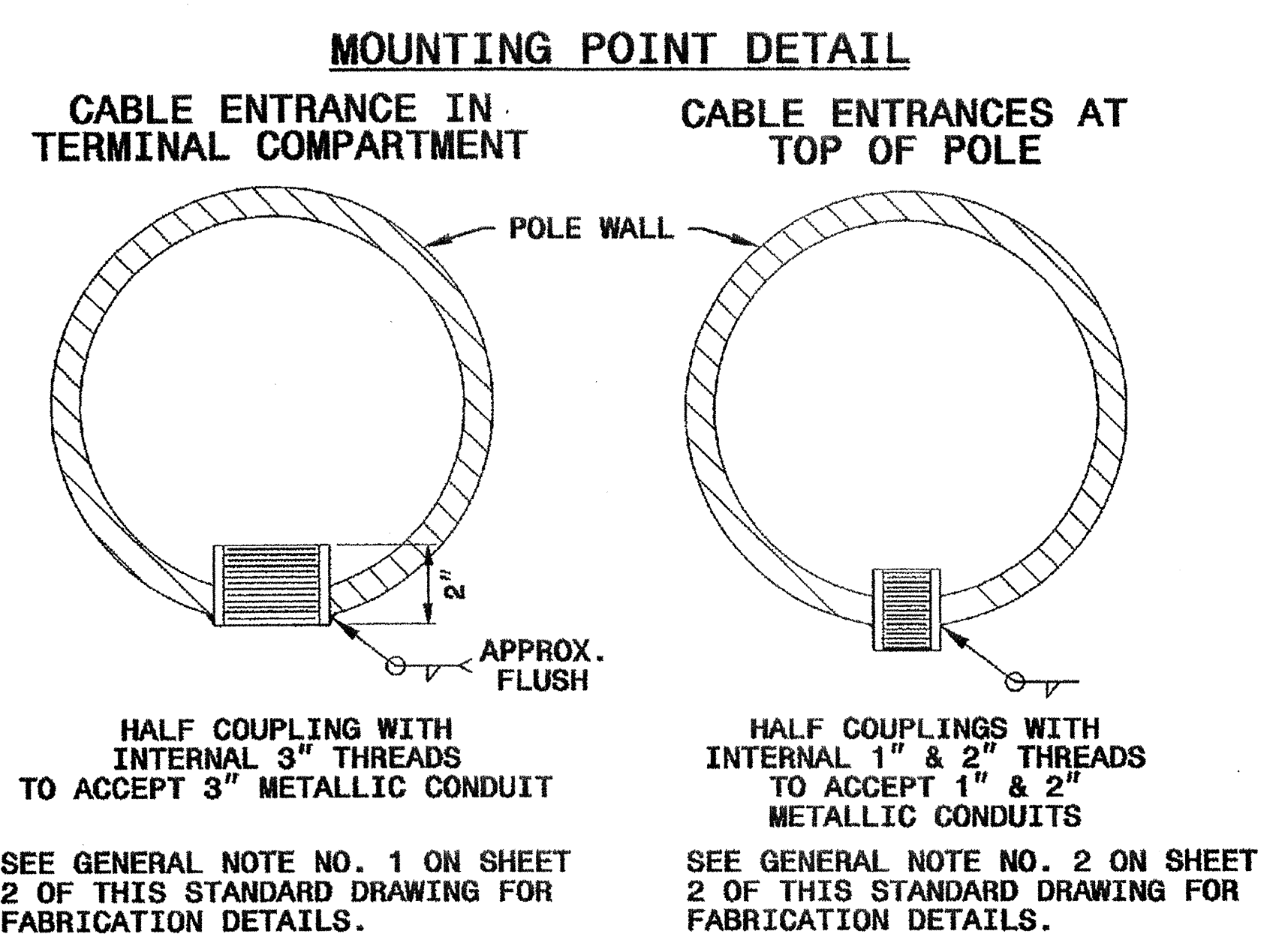


STATE OF NORTH CAROLINA
DEPT. OF TRANSPORTATION
DIVISION OF HIGHWAYS
RALEIGH, N.C.

9-03

ENGLISH STANDARD DRAWING FOR
METAL POLES
MISCELLANEOUS DETAILS

SHEET 3 OF 3
1740.01



STATE OF NORTH CAROLINA
DEPT. OF TRANSPORTATION
DIVISION OF HIGHWAYS
RALEIGH, N.C.

9-03

ENGLISH STANDARD DRAWING FOR
METAL POLES
MISCELLANEOUS DETAILS

SHEET 3 OF 3
1740.01

<p>Structural Engineer</p> <p><i>D. Sarin</i> 9/19/03</p> <p>SIGNATURE DATE</p>	<p>Electrical Engineer</p> <p><i>Milton Dean</i> 9/22/03</p> <p>SIGNATURE DATE</p>
---	--

Standard Drawings
Traffic Management and Signal Systems Unit
122 N. McDowell St., Raleigh, NC 27603

See Plate for Title

Original: 2002 Standards

19-SEP-2003 14:27
P:\drcd\lss-jun\hmkprousead\roadway\standfor\dwgs\sig\1shp.on.dh\sheet\17401 second.dgn
20/03/03