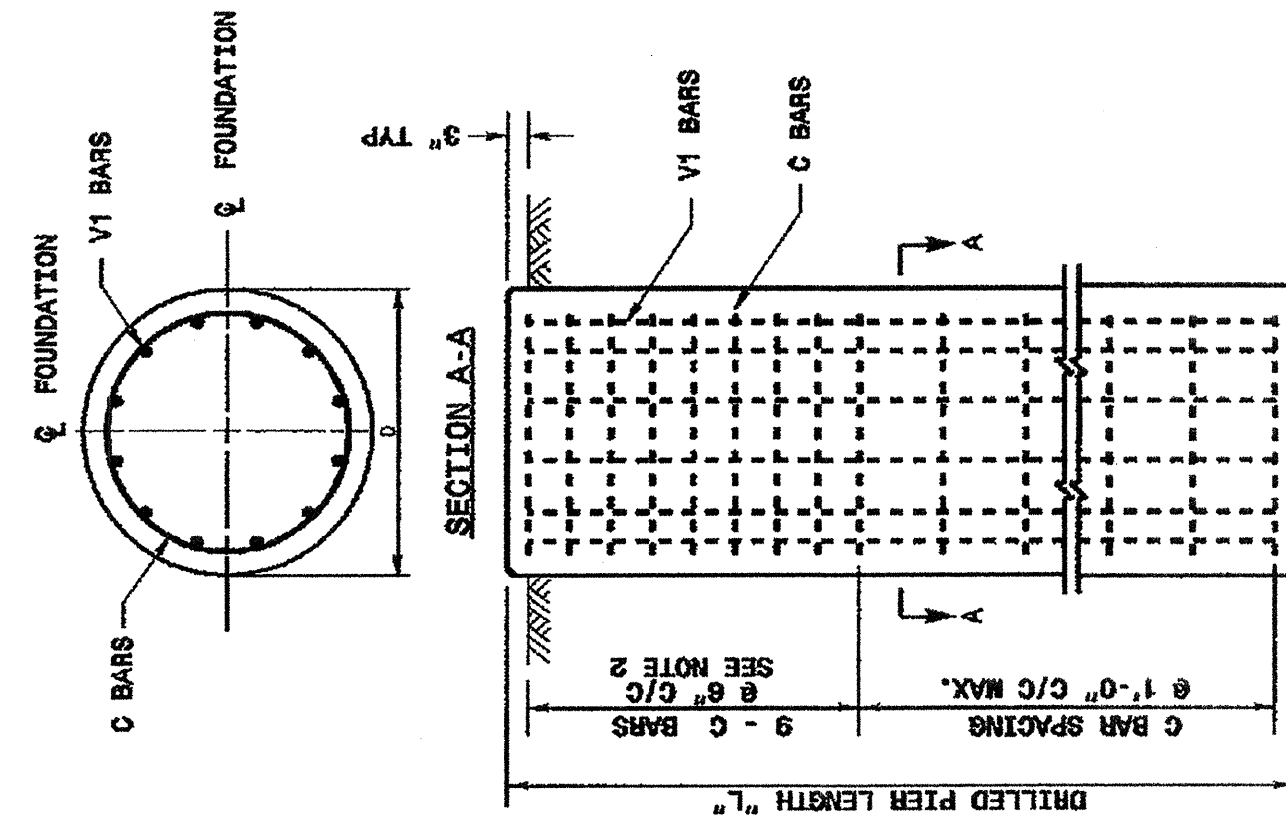


STATE OF  
 NORTH CAROLINA  
 DEPT. OF TRANSPORTATION  
 DIVISION OF HIGHWAYS  
 RALEIGH, N.C.

ENGLISH STANDARD DRAWING FOR  
**METAL POLE FOUNDATIONS**  
**REINFORCING CAGE DETAILS**

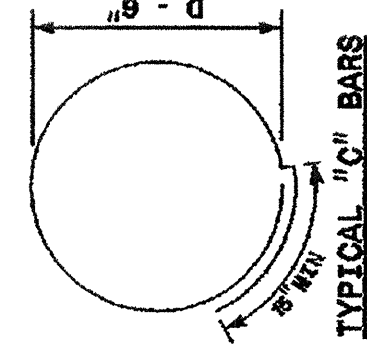
SHEET 1 OF 2  
**1742.01**



REINFORCING STEEL TABLE FOR STANDARD DRILL PIER SHAFT (42" & 48" DIAMETER)

SHAFT DIA. (in.)	NO. OF CONC. (cu. yds.)	BAR NO.	BAR SIZE	TYPE	LENGTH (ft.)
42"	0.366 x L	V1	#8	STR.	3xL
42"	0.366 x L	C	#4	STR.	10'-0"
48"	.466 x L	V1	#8	STR.	3xL
48"	.466 x L	C	#4	STR.	12'-6"

\* See Construction Note No. 1  
 \*\* See Construction Note No. 2



REINFORCING STEEL TABLE FOR STANDARD 42" and 48" DRILL PIER SHAFT WITH TYPE 1 AND TYPE 2 WING WALLS

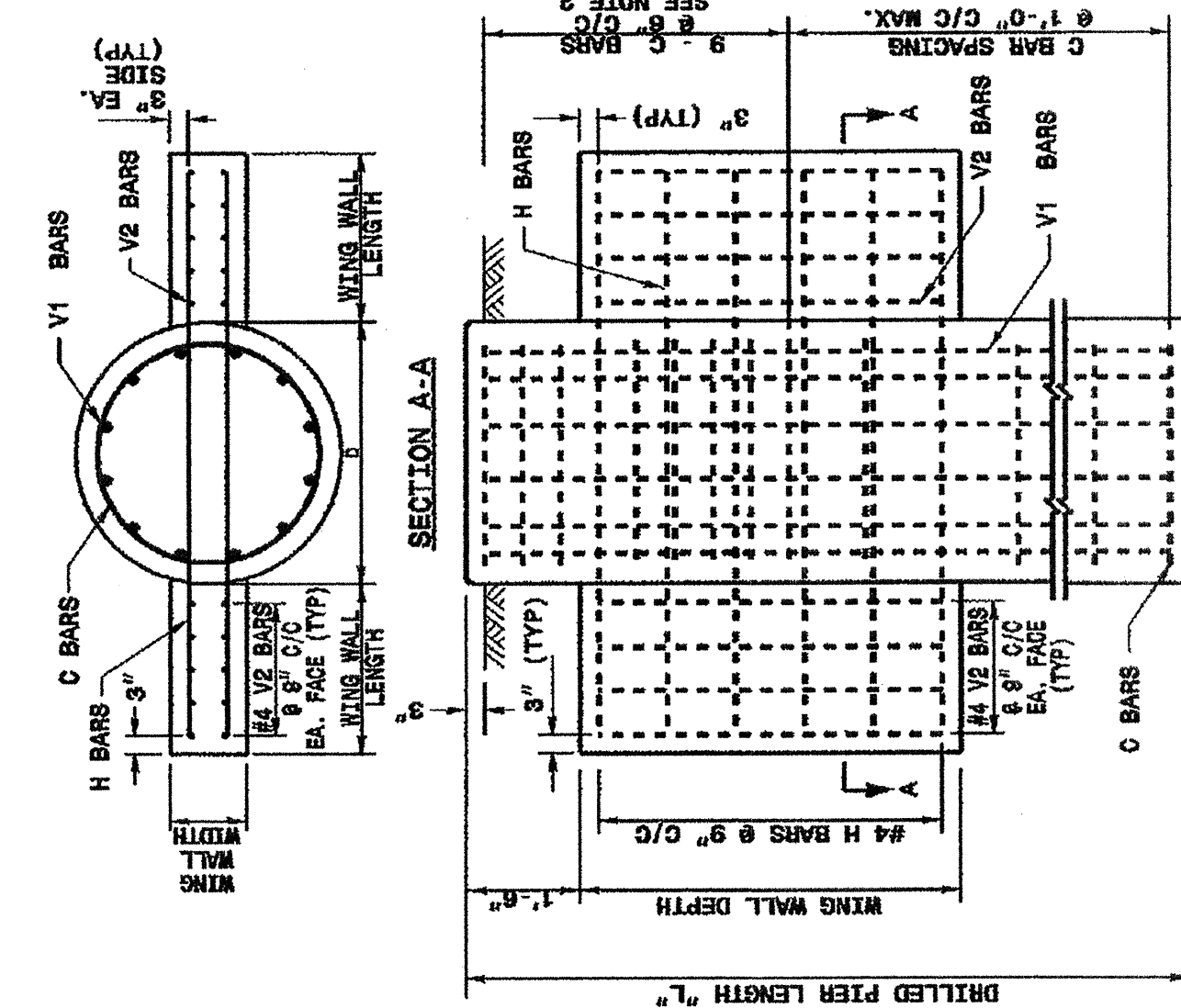
Wing Wall Type	Drill Pier Dia. (in.)	Bar No.	Bar Size	Length (ft.)	Concrete Volume (Cu. Yds.)
TYPE 1	42"	V1	#8	STR.	3xL
		V2	#4	STR.	6'-0"
TYPE 2	42"	V1	#8	STR.	4'-0"
		V2	#4	STR.	10'-0"
TYPE 2	48"	V1	#8	STR.	4'-0"
		V2	#4	STR.	12'-6"

\* See Construction Note No. 1  
 \*\* See Construction Note No. 2

WING WALL DETAILS

Wing Wall Type	Wing Wall Length (ft.)	Wing Wall Width (ft.)	Wing Wall Depth (ft.)	Concrete Volume (Cu. Yds.)
TYPE 1	1'-8"	1'-0"	8'-0"	.4
TYPE 2	3'-0"	1'-0"	8'-0"	1.2

See Construction Note No. 3

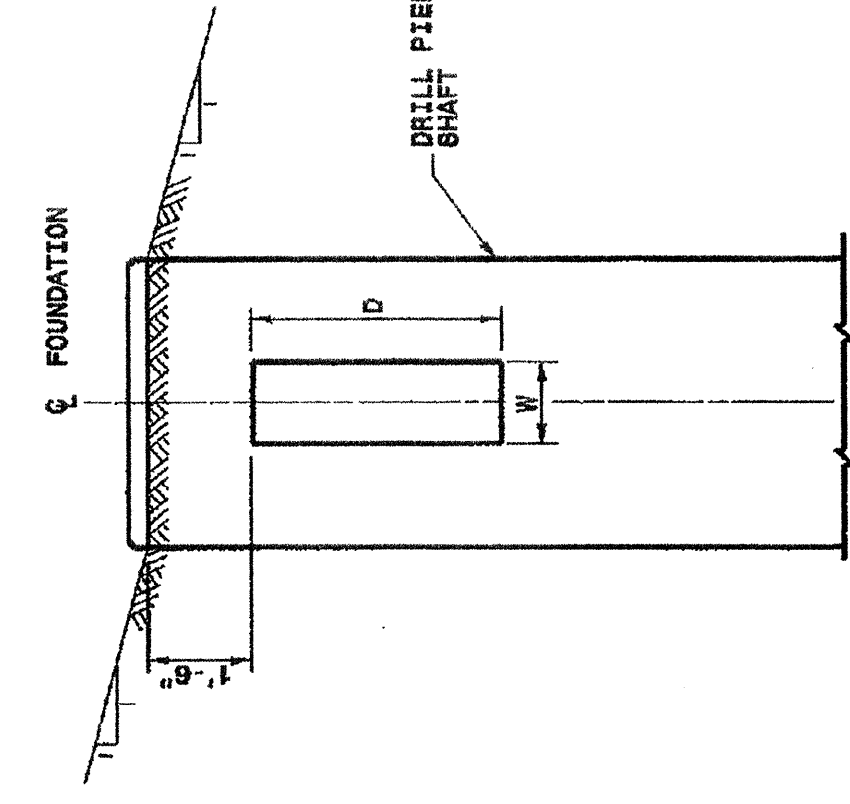


STATE OF  
 NORTH CAROLINA  
 DEPT. OF TRANSPORTATION  
 DIVISION OF HIGHWAYS  
 RALEIGH, N.C.

ENGLISH STANDARD DRAWING FOR  
**METAL POLE FOUNDATIONS**  
**REINFORCING CAGE DETAILS**

SHEET 1 OF 2  
**1742.01**

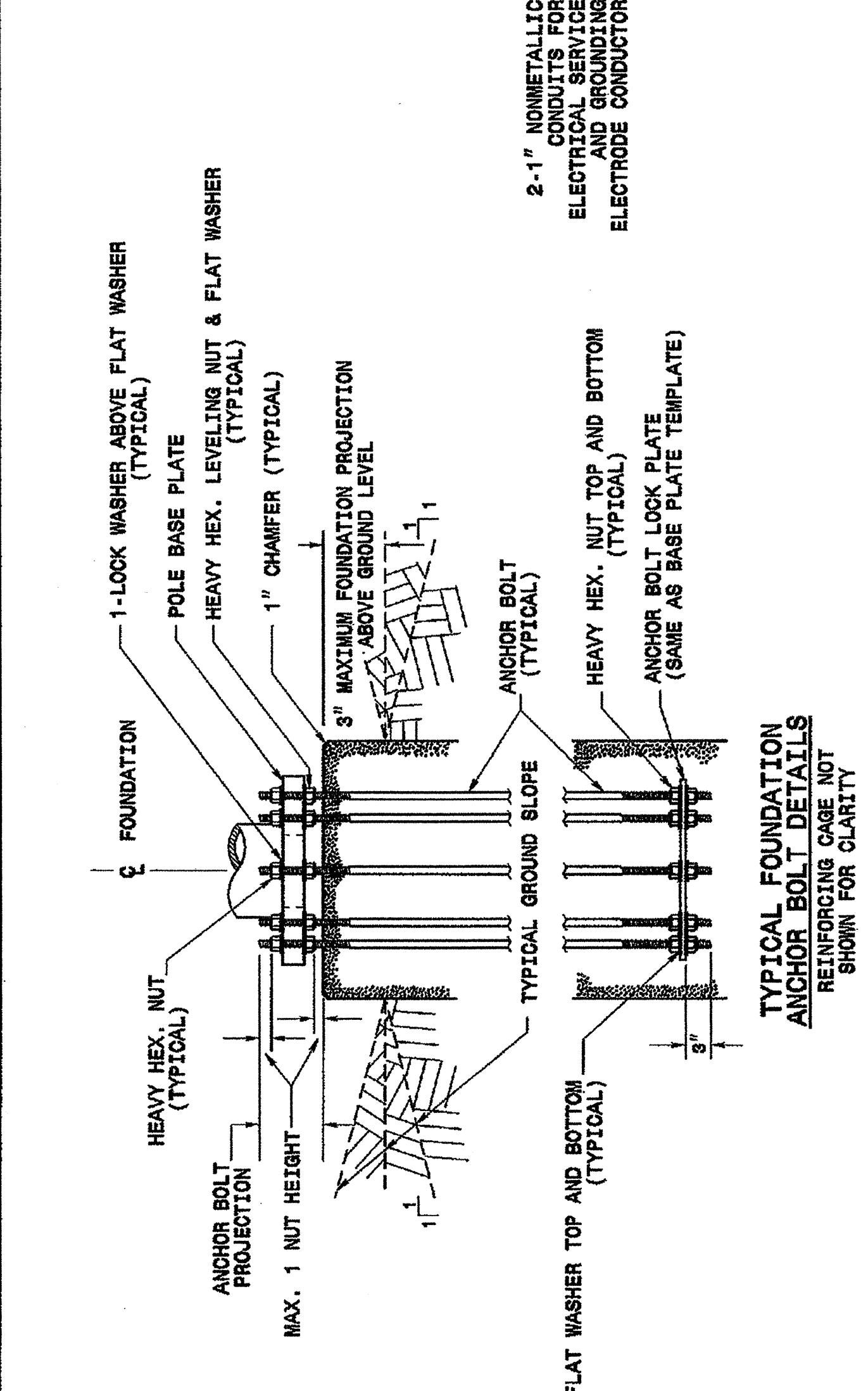
- NOTES**
1. THE NUMBER OF C-BARS IS BASED ON FOUNDATION DEPTH. SEE FOUNDATION SELECTION TABLES.
  2. CIRCULAR TIE REINFORCING RINGS MAY BE VERTICALLY ADJUSTED BY +/- 3" AT A DEPTH BETWEEN 2'-0" AND 3'-0" TO FACILITATE THE INSTALLATION OF ELECTRICAL CONDUIT ENTERING IN THE CAGE.
  3. THE LENGTH OF V1-BARS IS BASED ON FOUNDATION DEPTH. SEE FOUNDATION SELECTION TABLES.
  4. THE QUANTITIES FOR STEEL AND CONCRETE SHOWN IN THE REINFORCING DETAILS ARE FOR THE CONCRETE AND STEEL PARTS OF WING WALLS (2 WING WALLS PER DRILL PIER SHAFT.).
  5. CONCRETE DRILL PIER SHAFT VOLUME (CU. YDS.):  
 FOR 42" DIA. = .366xL  
 FOR 48" DIA. = .466xL
  6. DEFORM REINFORCING STEEL TO CONFORM TO ASTM A615 GRADE 60. TIES MAY BE DEFORMED OR PLAIN.
  7. CAST CONCRETE AGAINST UNDISTURBED SOIL.
  8. DO NOT ERECT TRAFFIC SIGNAL STRUCTURES BEFORE THE CONCRETE IN THE FOUNDATION HAS ATTAINED A MINIMUM COMPRESSIVE STRENGTH OF 3000 PSI.
  9. MAKE PROVISIONS FOR DRAINAGE OF WATER FROM INSIDE OF THE METAL SUPPORT.
  10. FOR OTHER DETAILS REGARDING CONSTRUCTION OF CONCRETE FOUNDATION SEE PROJECT SPECIAL PROVISIONS.
  11. IN CASE OF ANY CROSS SLOPES, GRADE AROUND THE FOUNDATION AS FOLLOWS:



STATE OF  
 NORTH CAROLINA  
 DEPT. OF TRANSPORTATION  
 DIVISION OF HIGHWAYS  
 RALEIGH, N.C.

ENGLISH STANDARD DRAWING FOR  
**METAL POLE FOUNDATIONS**  
**INSTALLATION DETAILS**

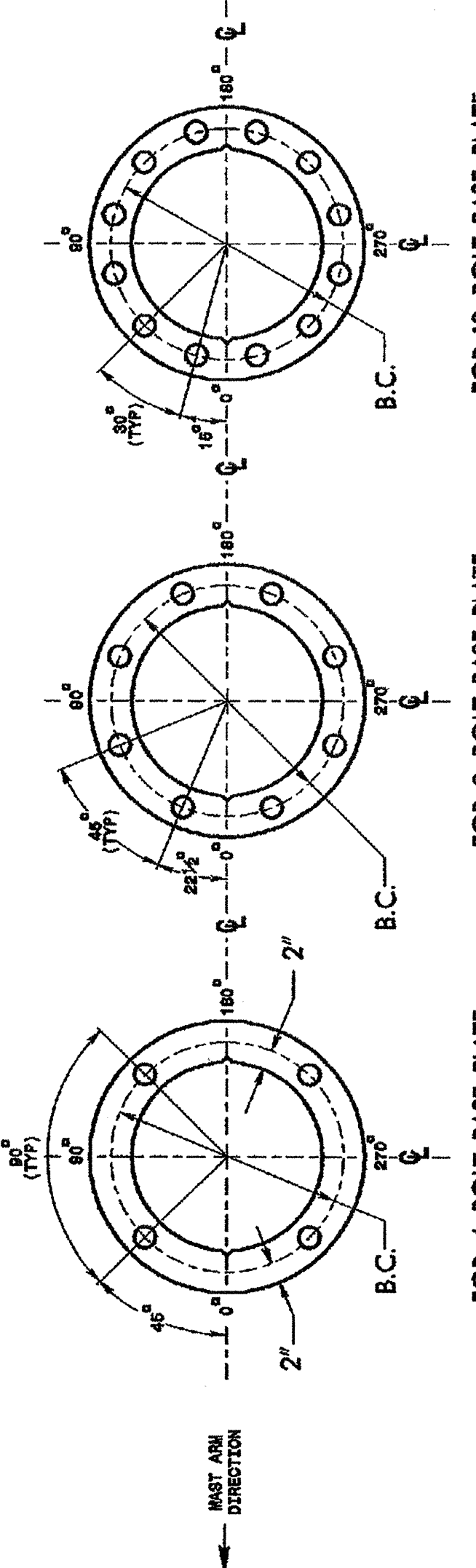
SHEET 2 OF 2  
**1742.01**



STATE OF  
 NORTH CAROLINA  
 DEPT. OF TRANSPORTATION  
 DIVISION OF HIGHWAYS  
 RALEIGH, N.C.

ENGLISH STANDARD DRAWING FOR  
**METAL POLE FOUNDATIONS**  
**INSTALLATION DETAILS**

SHEET 2 OF 2  
**1742.01**



FOR 4 BOLT BASE PLATE  
 CONSTRUCT TEMPLATES AND PLATES FROM 1/4" THICK STEEL. GALVANIZING IS NOT REQUIRED.  
**BASE PLATE TEMPLATE AND ANCHOR BOLT LOCK PLATE DETAILS**

FOR 8 BOLT BASE PLATE  
 CONSTRUCT TEMPLATES AND PLATES FROM 1/4" THICK STEEL. GALVANIZING IS NOT REQUIRED.

FOR 12 BOLT BASE PLATE  
 CONSTRUCT TEMPLATES AND PLATES FROM 1/4" THICK STEEL. GALVANIZING IS NOT REQUIRED.

Structural Engineer  D. Sankar SIGNATURE 8/20/04 DATE	Electrical Engineer  Gregory A. Fuller SIGNATURE 8/25/04 DATE
Standard Drawings Traffic Management and Signal Systems Unit 122 N. McDowell St., Raleigh, NC 27603	

See Plate for Title

Original: 2002 Standards