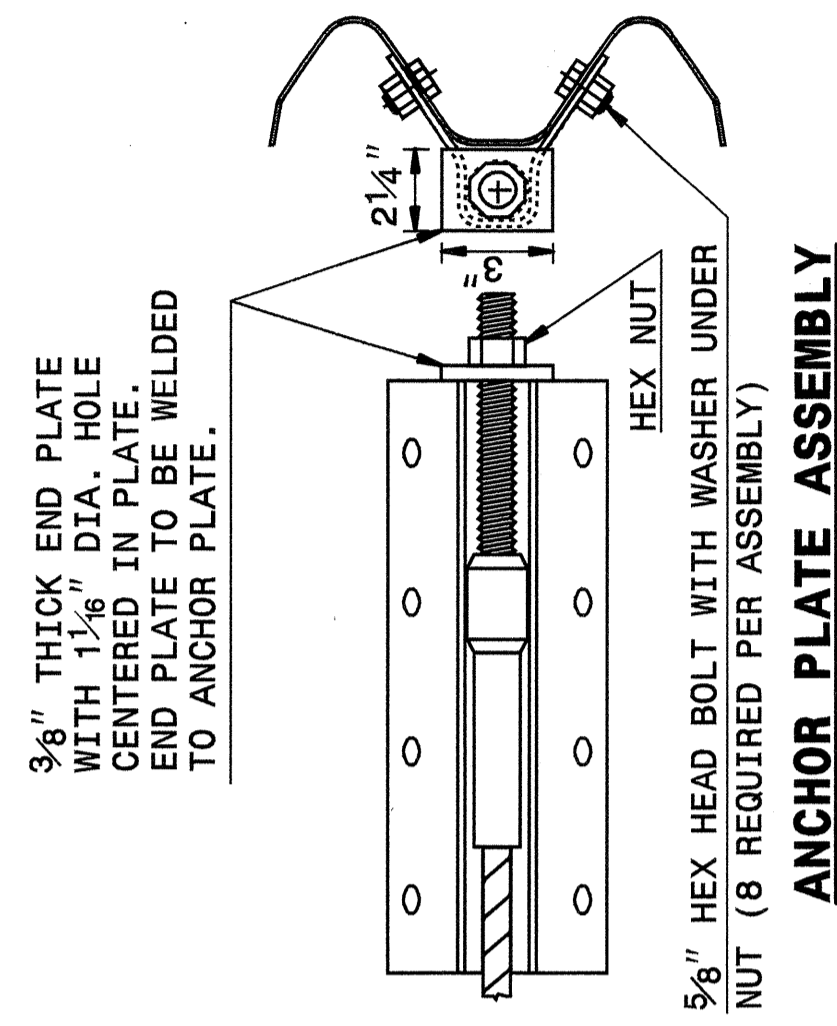
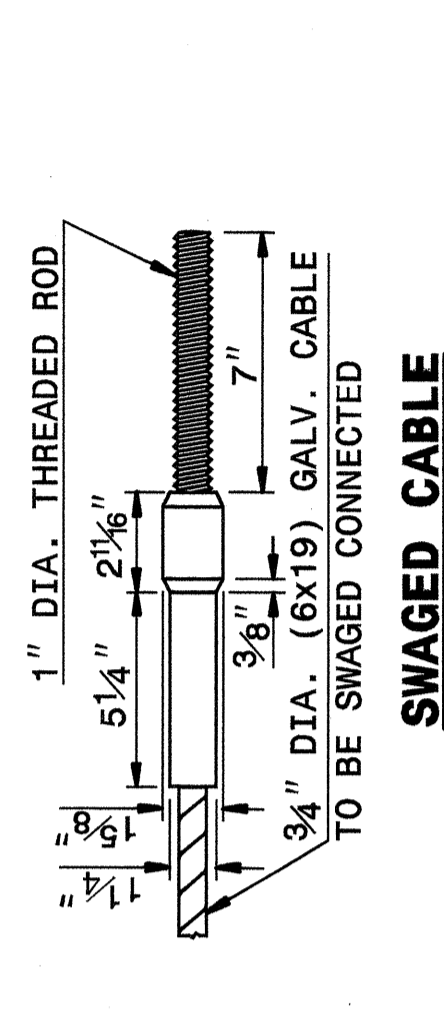


20250407 11:01 AM  
 662d02.dwg  
 C:\Users\jgarcia\Documents\662d02.dwg  
 5/14/09

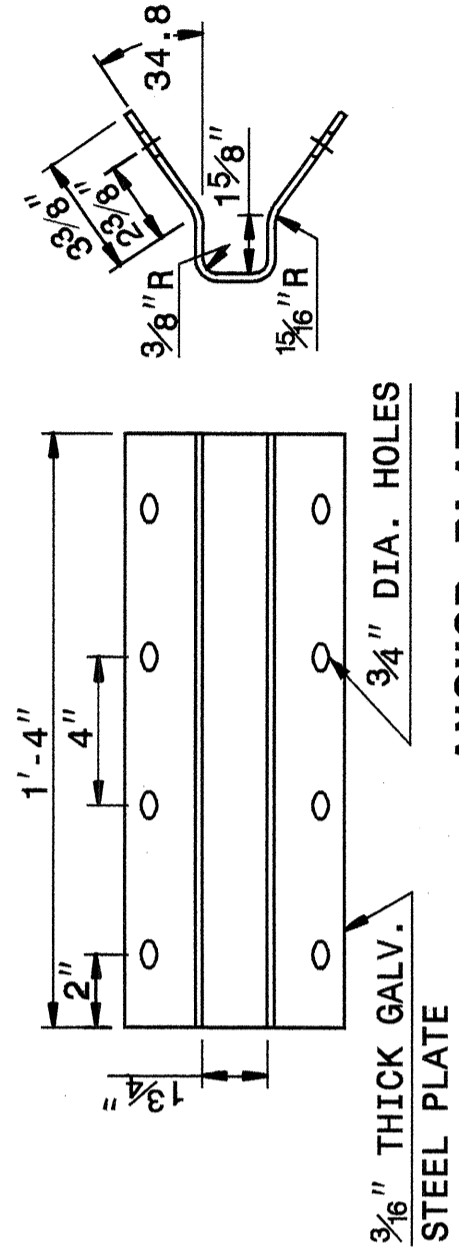
STATE OF NORTH CAROLINA  
 DEPT. OF TRANSPORTATION  
 DIVISION OF HIGHWAYS  
 RALEIGH, N.C.



ANCHOR PLATE ASSEMBLY

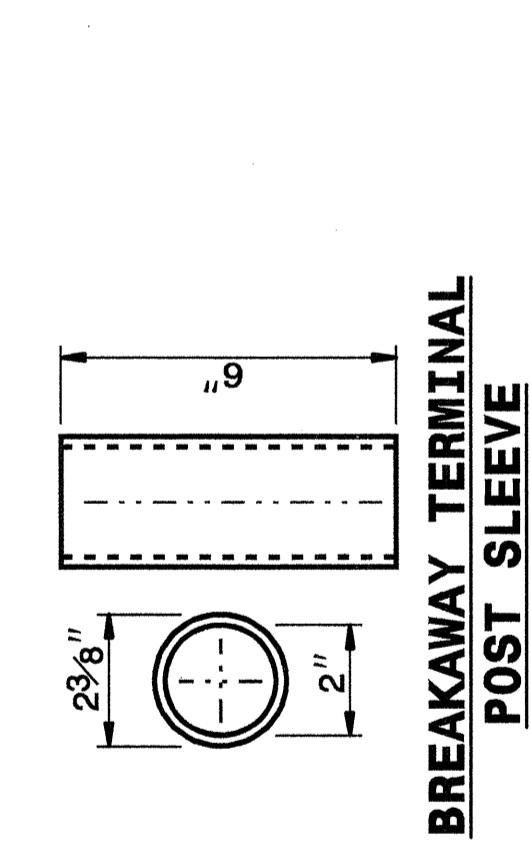


SWAGED CABLE

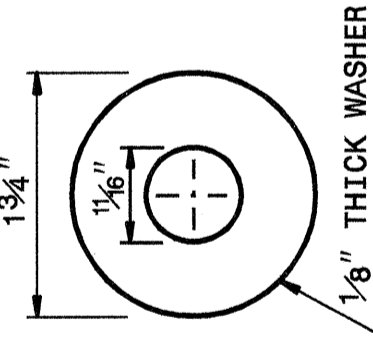


ANCHOR PLATE

CABLE ASSEMBLY

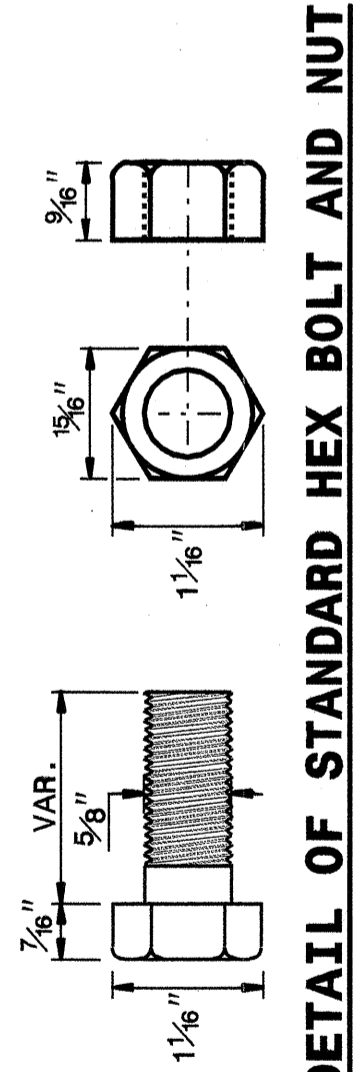


BREAKAWAY TERMINAL POST SLEEVE

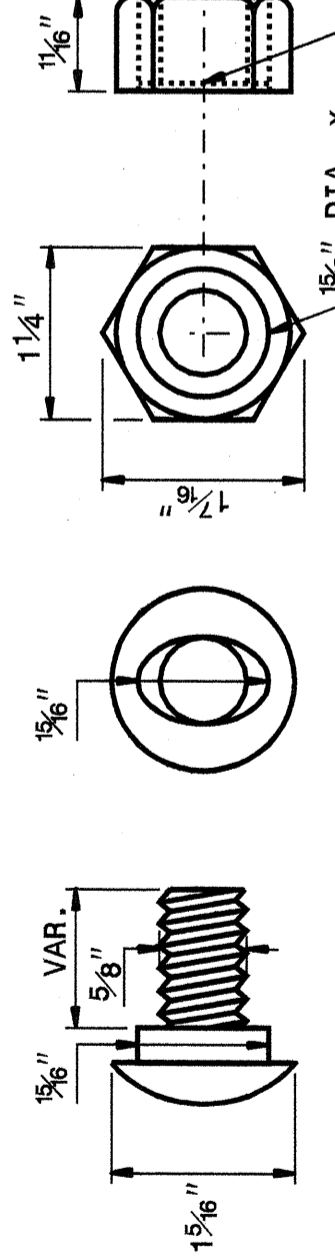


DETAIL OF STANDARD WASHER

STANDARD WASHER: TYPICAL USE UNDER NUT WITH WOOD POST



DETAIL OF STANDARD HEX BOLT AND NUT



DETAIL OF BUTTON HEAD BOLT AND NUT

SYSTEM PARTS

SHEET 5 OF 7  
 862D02

STATE OF NORTH CAROLINA  
 DEPT. OF TRANSPORTATION  
 DIVISION OF HIGHWAYS  
 RALEIGH, N.C.

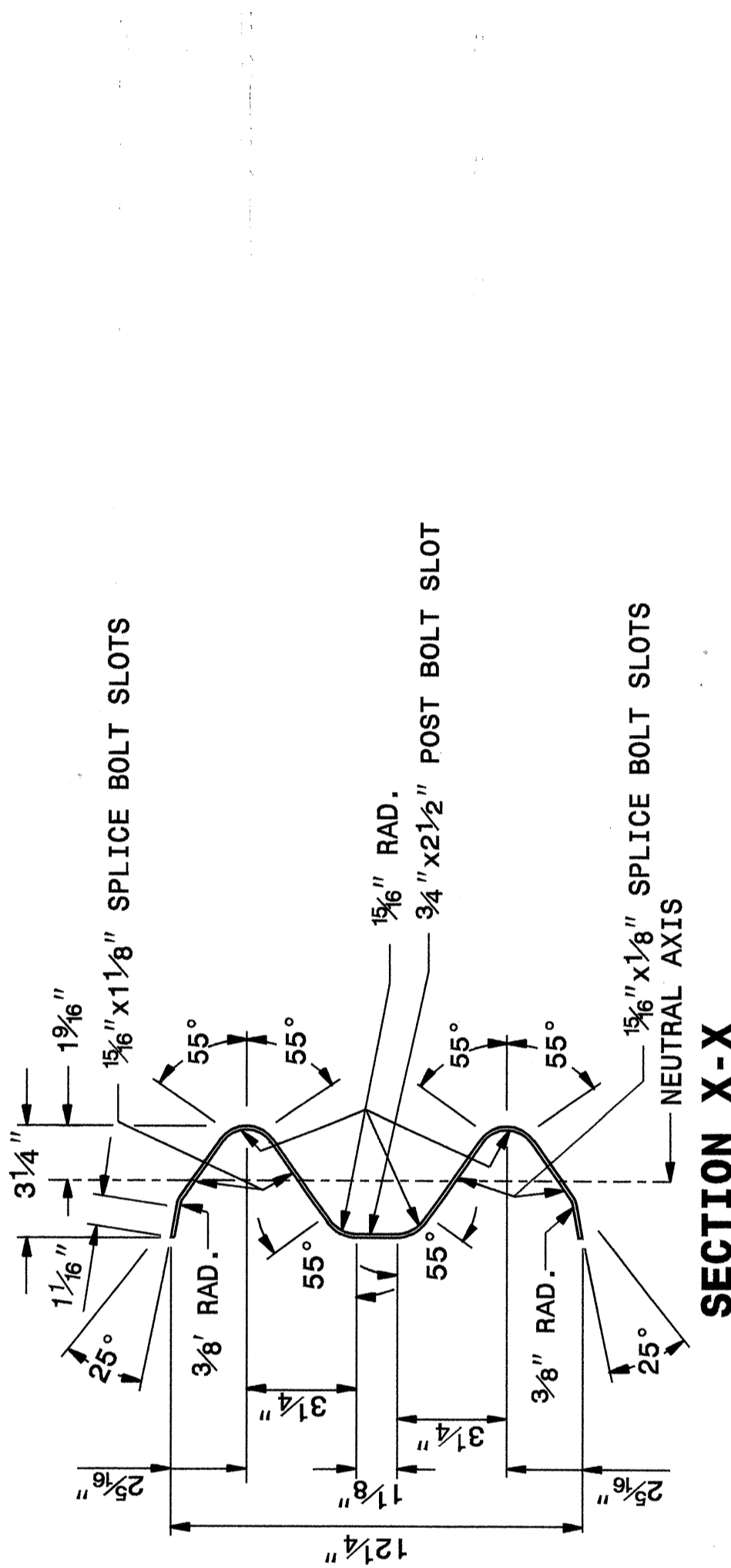
ENGLISH DETAIL DRAWING FOR  
 GUARDRAIL INSTALLATION

SHEET 5 OF 7  
 862D02

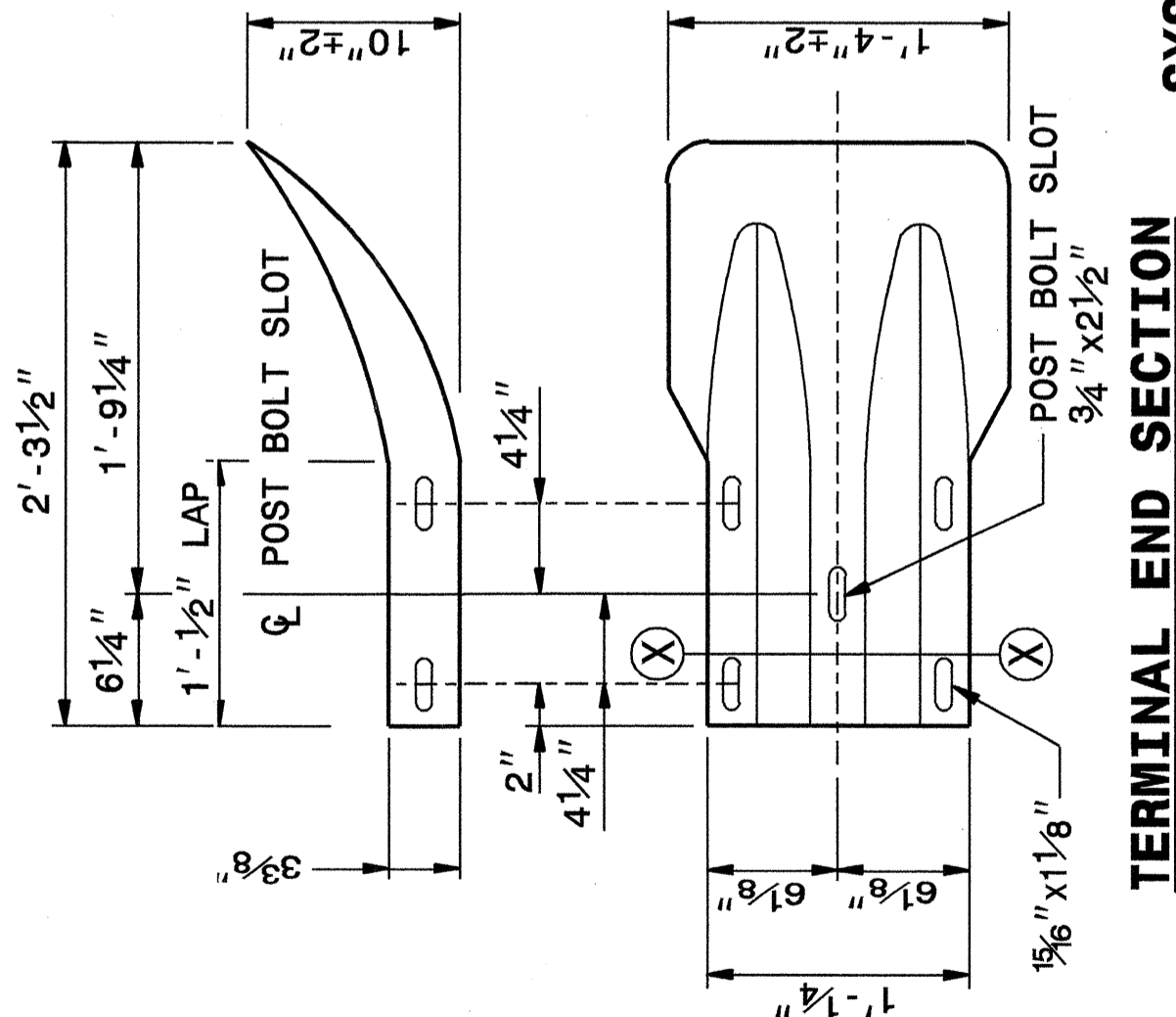
STATE OF NORTH CAROLINA  
 DEPT. OF TRANSPORTATION  
 DIVISION OF HIGHWAYS  
 RALEIGH, N.C.

ENGLISH DETAIL DRAWING FOR  
 GUARDRAIL INSTALLATION

SHEET 6 OF 7  
 862D02



SECTION X-X



TERMINAL END SECTION

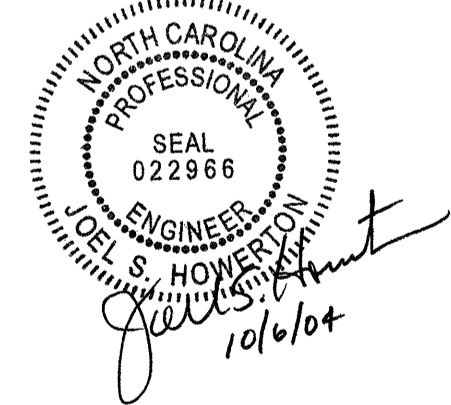
TYPICAL END SHOE

SYSTEM PARTS - GENERAL USE

STATE OF NORTH CAROLINA  
 DEPT. OF TRANSPORTATION  
 DIVISION OF HIGHWAYS  
 RALEIGH, N.C.

ENGLISH DETAIL DRAWING FOR  
 GUARDRAIL INSTALLATION

SHEET 6 OF 7  
 862D02



DESIGN SERVICES UNIT  
 STANDARDS AND SPECIAL DESIGN  
 Office 919-250-4128 FAX 919-250-4119

SEE PLATE FOR TITLE

ORIGINAL BY: 2002 STD. 862.02 DATE:  
 MODIFIED BY: E.E. WARD DATE: 02-09-03  
 CHECKED BY: *Joe Howard* DATE: 4-29-04  
 FILE SPEC: [49]/stds/02todetail/english/86202/862d02.dgn