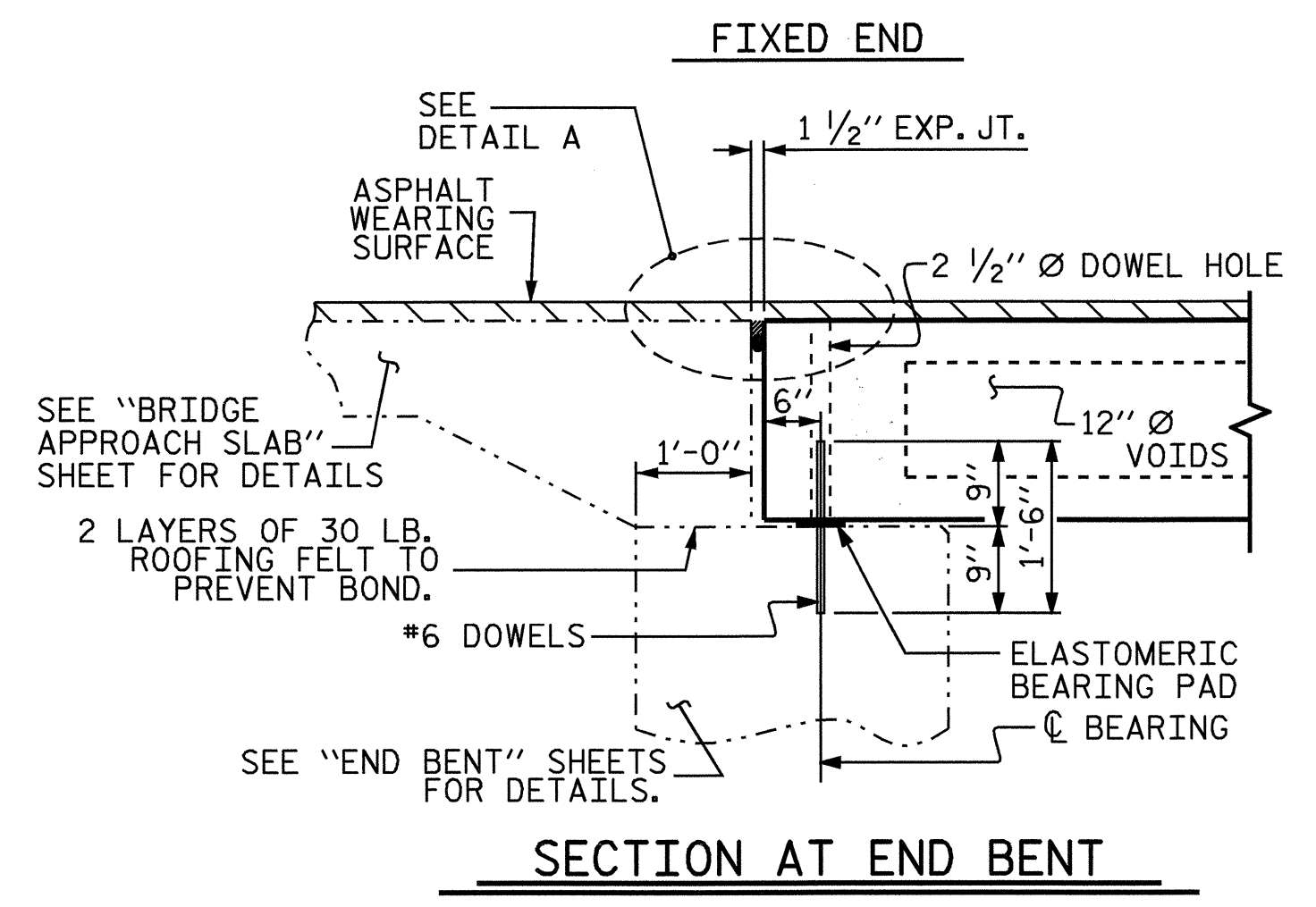
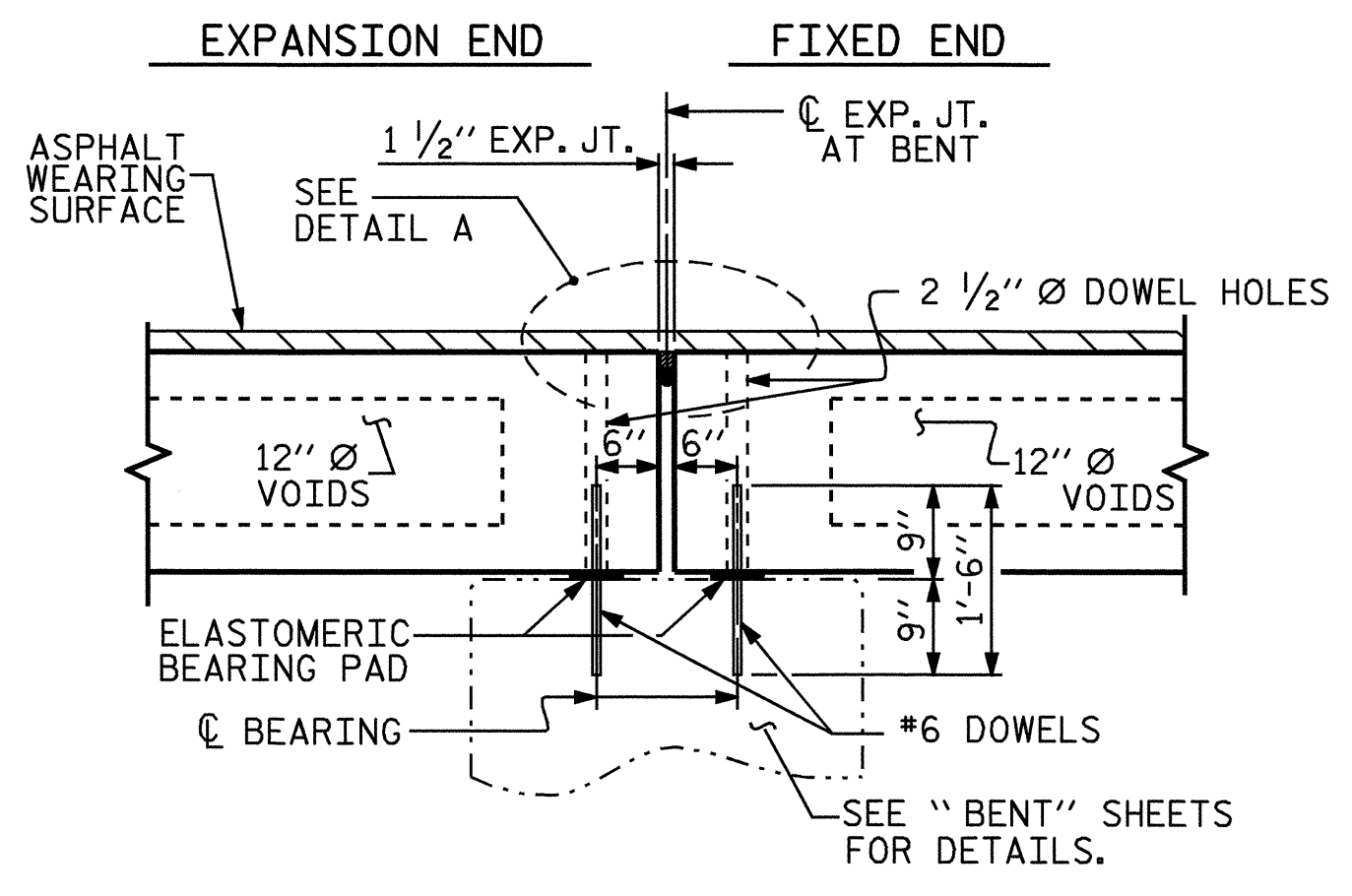


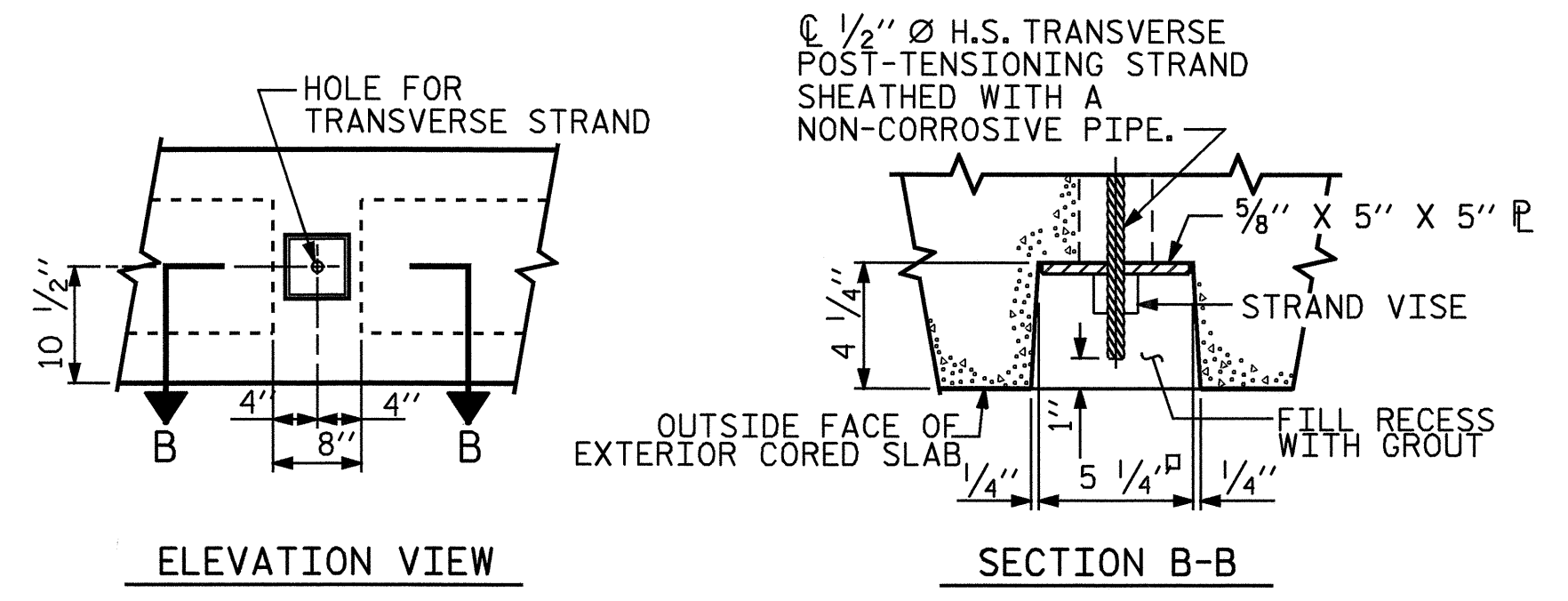
TYPICAL SECTION



SECTION AT END BENT



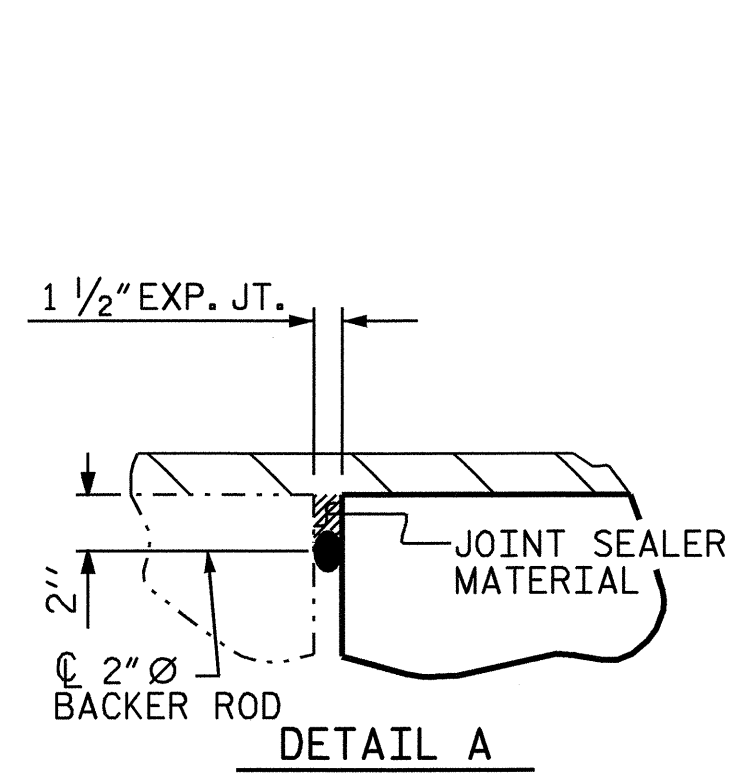
SECTION AT BENT



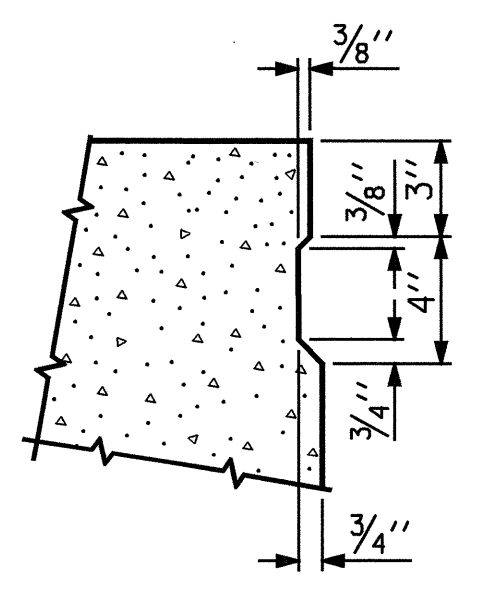
ELEVATION VIEW

SECTION B-B

GROUTED RECESS AT END OF POST-TENSIONED STRAND-CORED SLABS

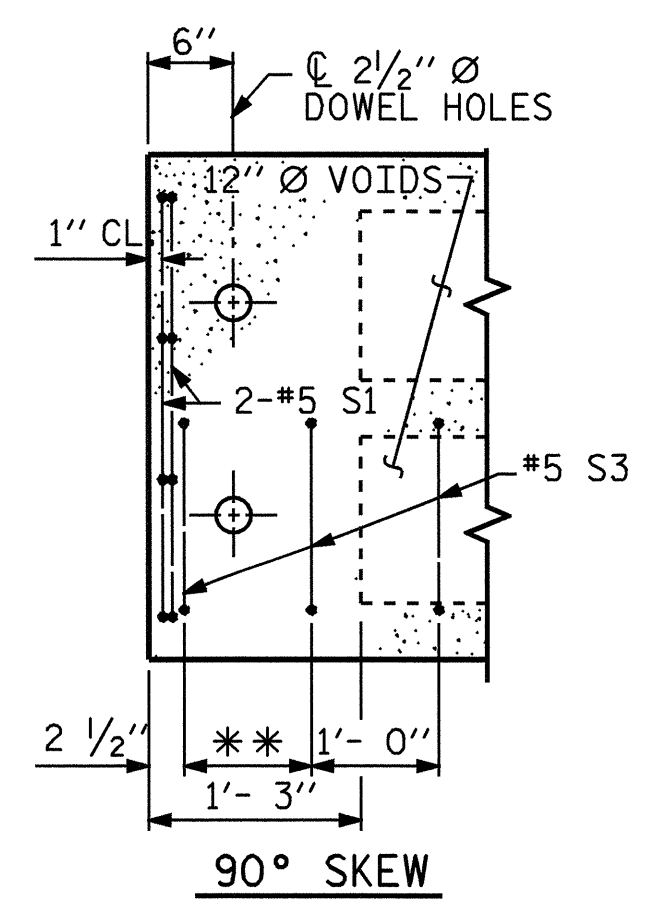


DETAIL A



SHEAR KEY DETAIL

NOTE: OMIT SHEAR KEY ON OUTSIDE FACE OF EXTERIOR CORED SLABS.



90° SKEW

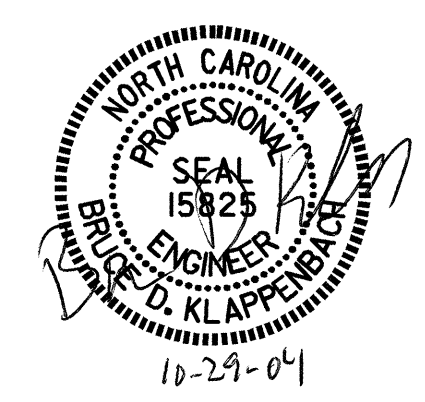
PART PLAN-EXTERIOR SECTION

NOTE: EXTERIOR SECTION SHOWN-INTERIOR SECTION SIMILAR EXCEPT OMIT S3 BARS. \*\* FOR DIMENSION SEE "CORED SLAB UNIT DETAILS" SHEETS.

PROJECT NO. B-3454  
FORSYTH COUNTY  
 STATION: 20+93.00 -L-

STATE OF NORTH CAROLINA  
 DEPARTMENT OF TRANSPORTATION  
 RALEIGH  
**STANDARD**  
**3'-0" X 1'-9"**  
**PRESTRESSED CONCRETE**  
**CORED SLAB UNIT**

OCTOBER 1981



ASSEMBLED BY :	D. A. GLADDEN	DATE :	2-24-03
CHECKED BY :	M. G. SHAIKH	DATE :	9-21-04
DRAWN BY :	WJH	4/89	REV. 8/16/99 RWW/LES
CHECKED BY :	FCJ	5/89	REV. 10/17/00 RWW/LES
			REV. 7/10/01 RWW/LES

REVISIONS						SHEET NO.
NO.	BY:	DATE:	NO.	BY:	DATE:	TOTAL SHEETS
1			3			5-5
2			4			27