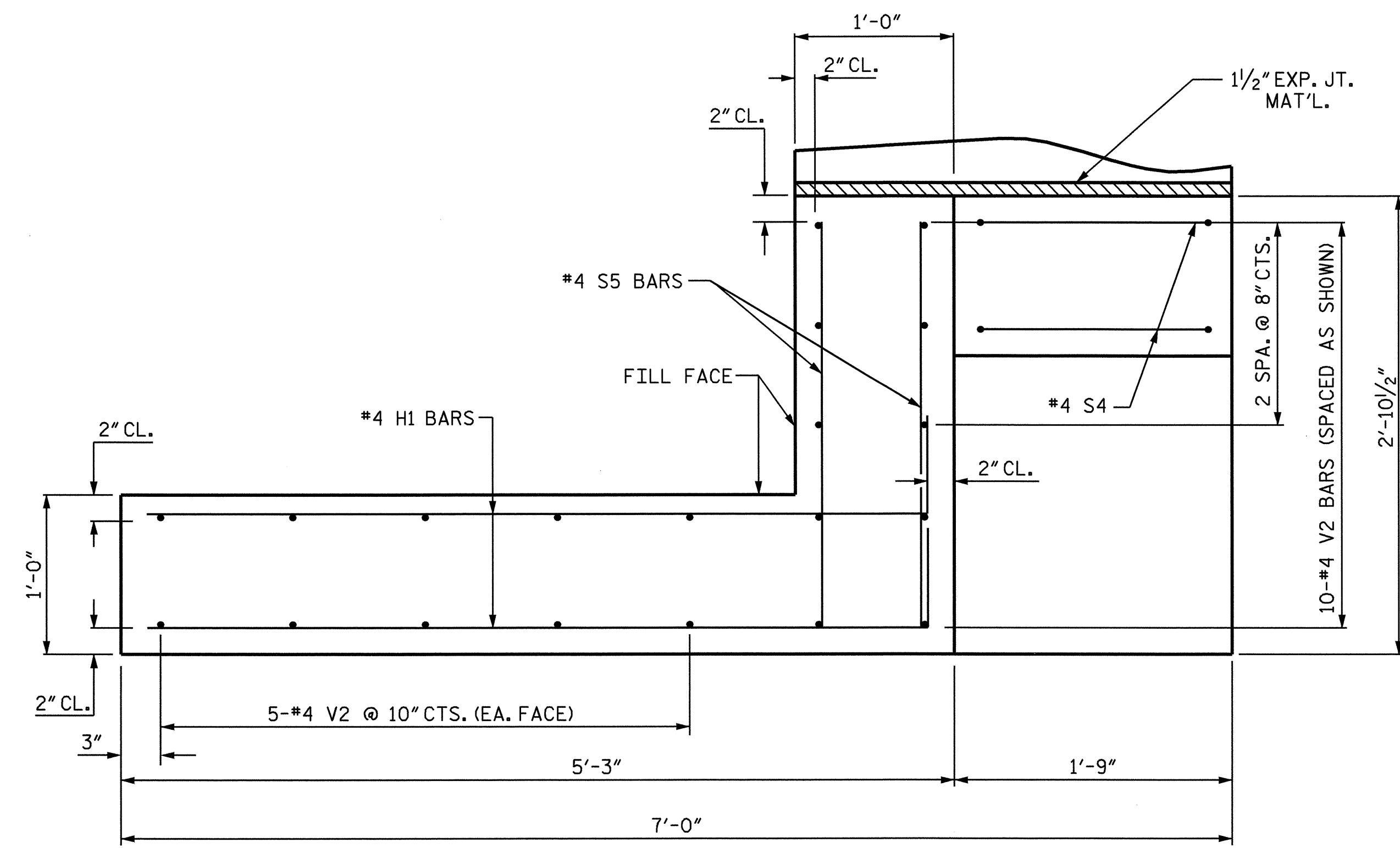
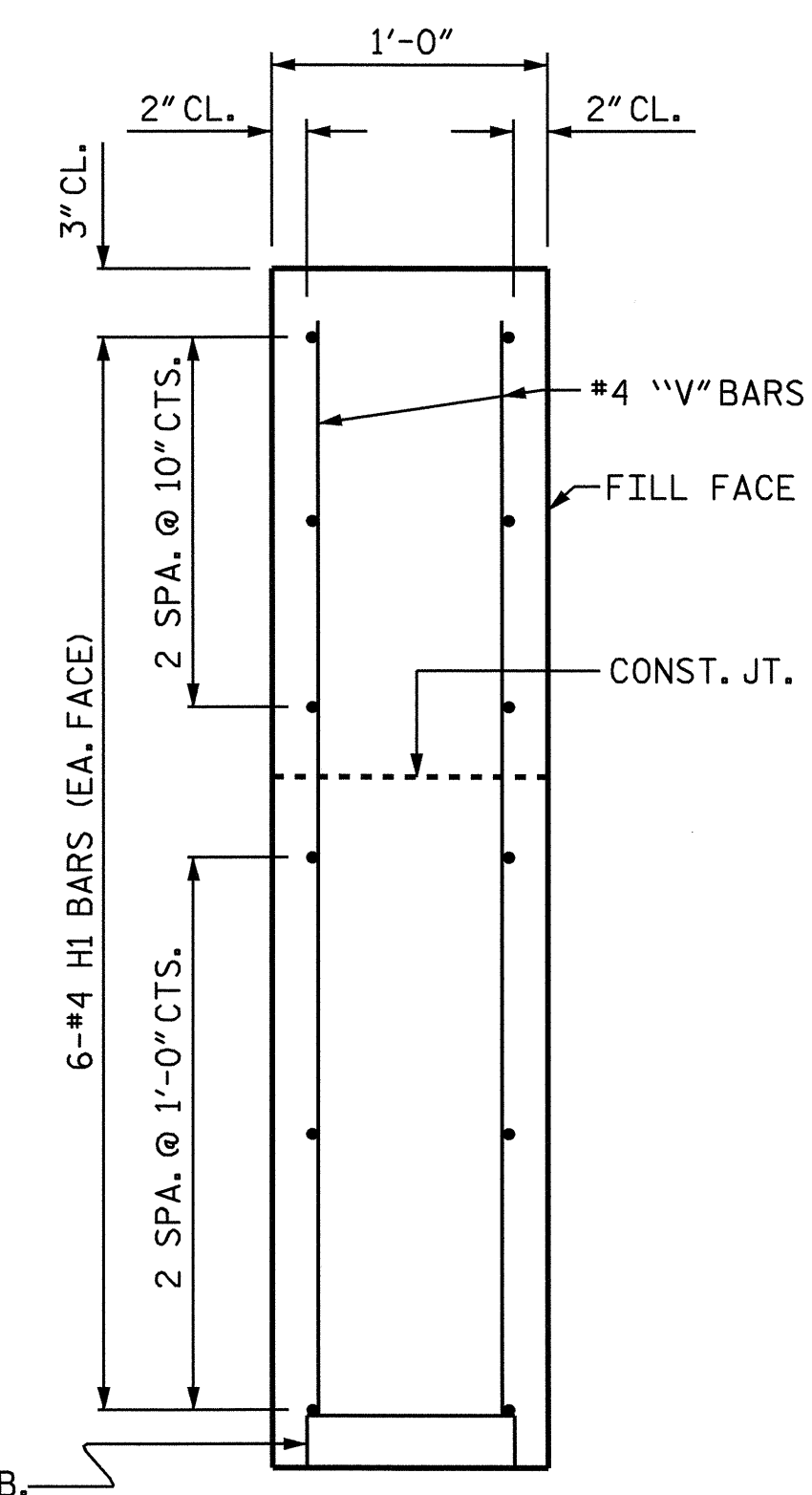


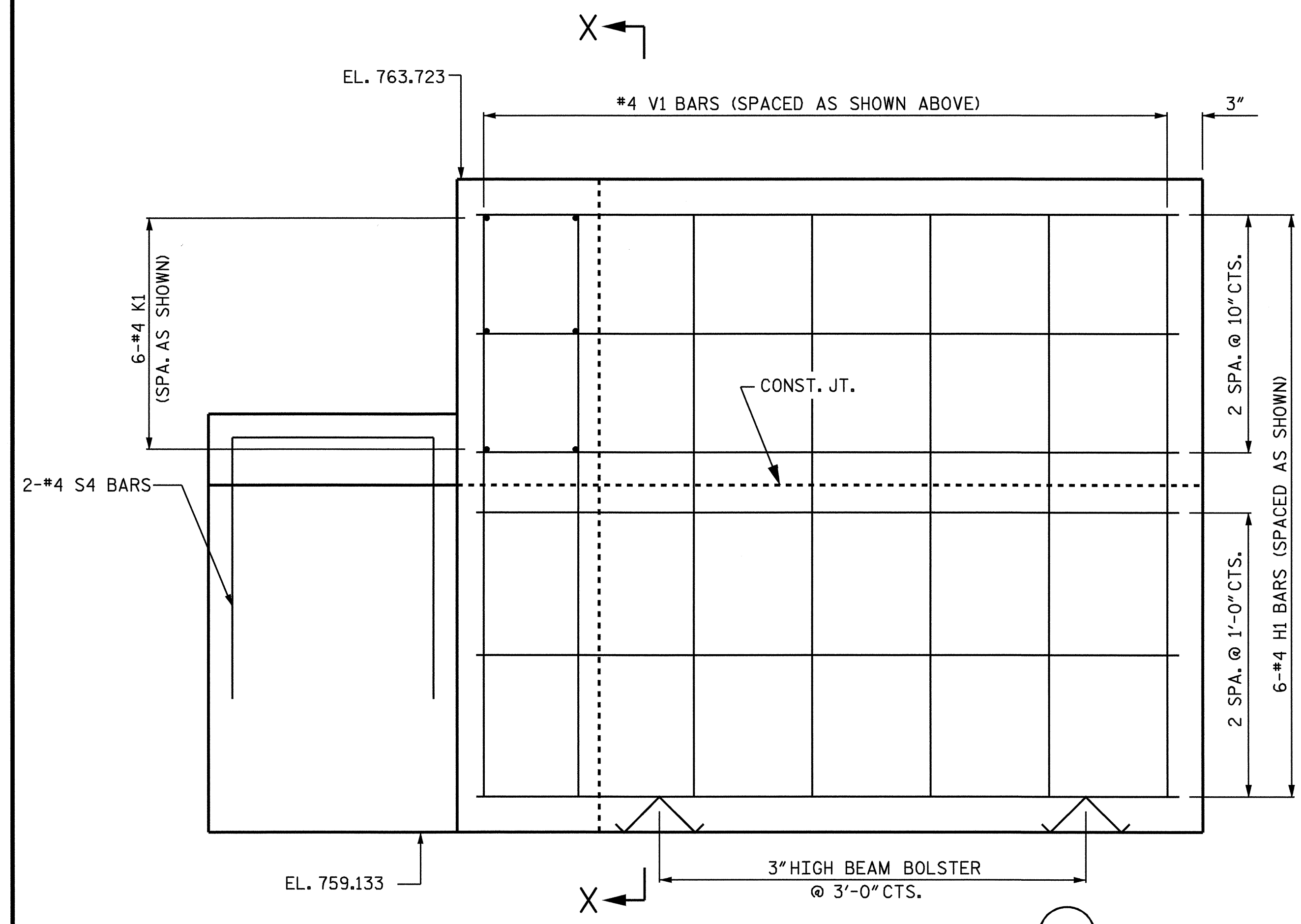
PLAN OF LEFT WING (W1)



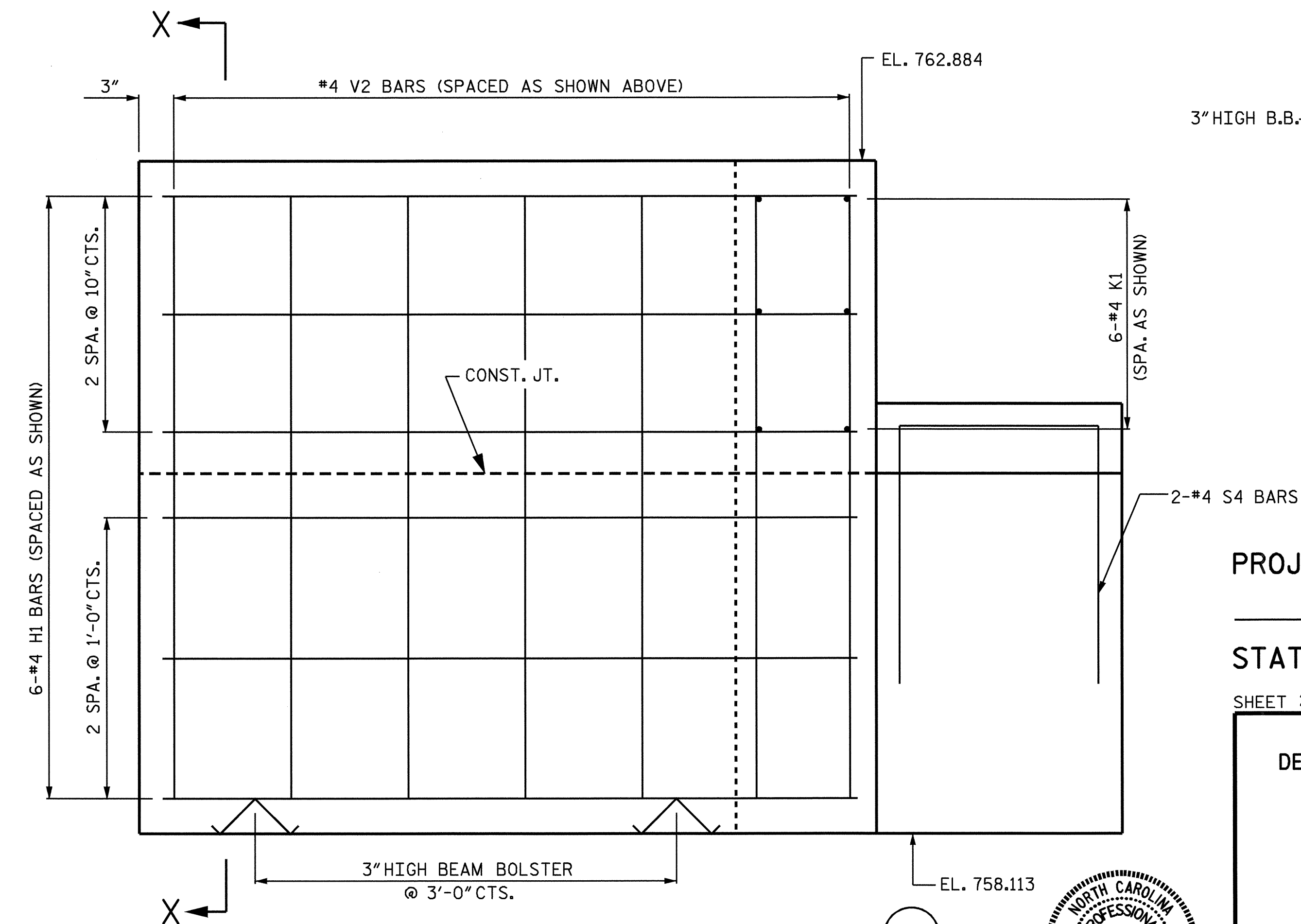
PLAN OF RIGHT WING (W2)



SECTION X-X



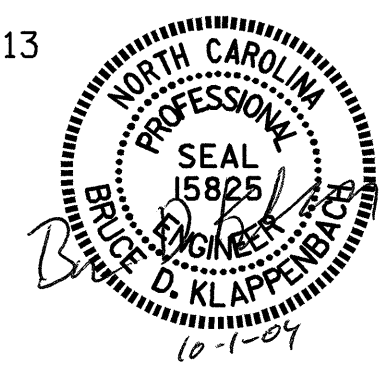
ELEVATION OF LEFT WING (W1)



ELEVATION OF RIGHT WING (W2)

PROJECT NO. B-3454  
 FORSYTH COUNTY  
 STATION: 20+93.00 -L-  
 SHEET 2 OF 3

STATE OF NORTH CAROLINA DEPARTMENT OF TRANSPORTATION RALEIGH						SHEET NO. 5-14
SUBSTRUCTURE END BENT #1						TOTAL SHEETS 27
REVISIONS						
NO.	BY:	DATE:	NO.	BY:	DATE:	
1			3			
2			4			



DRAWN BY: J.B. WILSON DATE: 8/04  
 CHECKED BY: D.A. GLADDEN DATE: 9/04