

METRIC

PROJECT REFERENCE NO. R-2813C SHEET NO. UC-21

R/W SHEET NO.

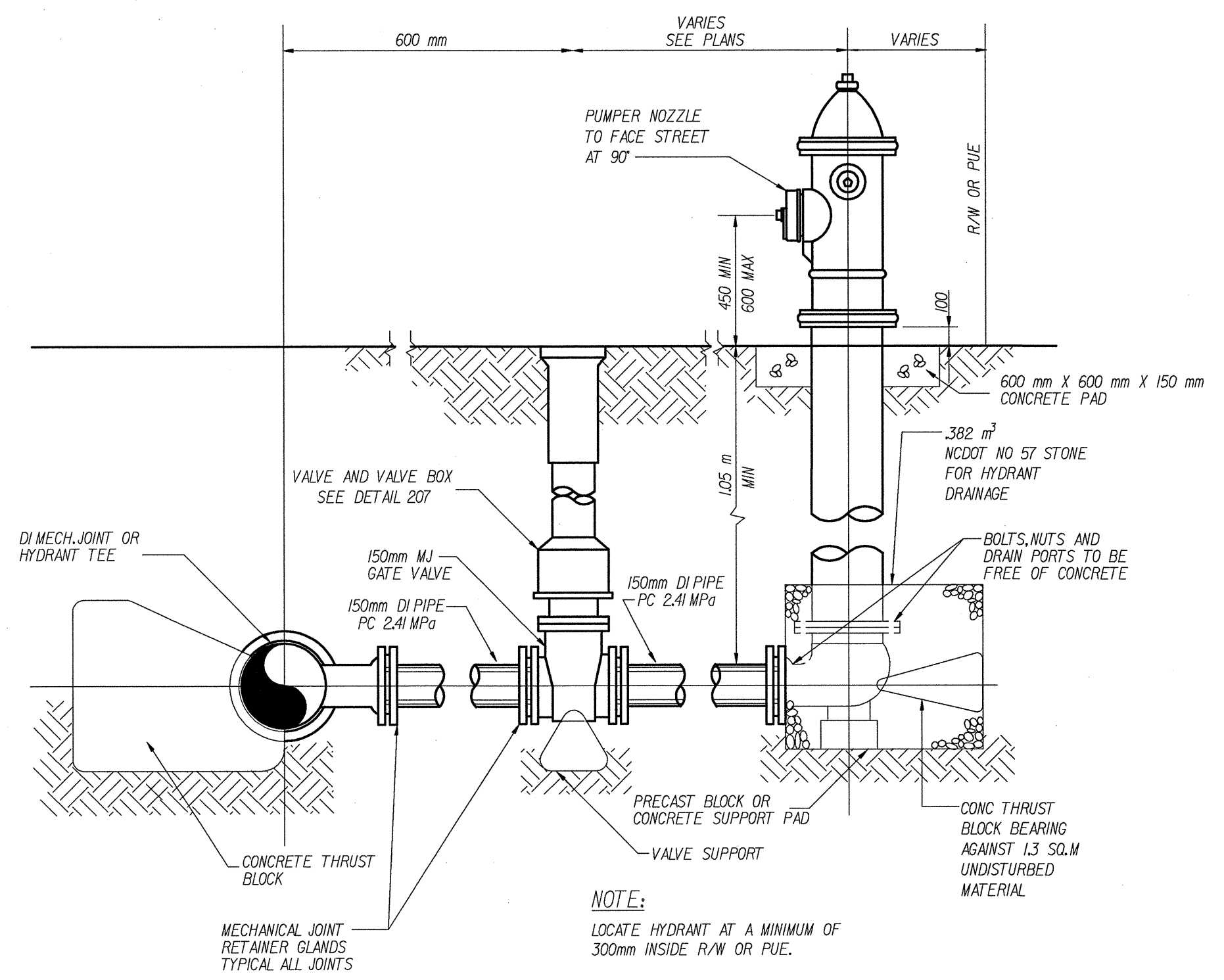
CONST. REV.

R/W REV.

Kimley-Horn and Associates, Inc. ©, 2003

UTILITY CONSTRUCTION

SEAL 10952 4/20/04
ENGINEER KEVIN F. CARTER



FIRE HYDRANT DETAIL
301

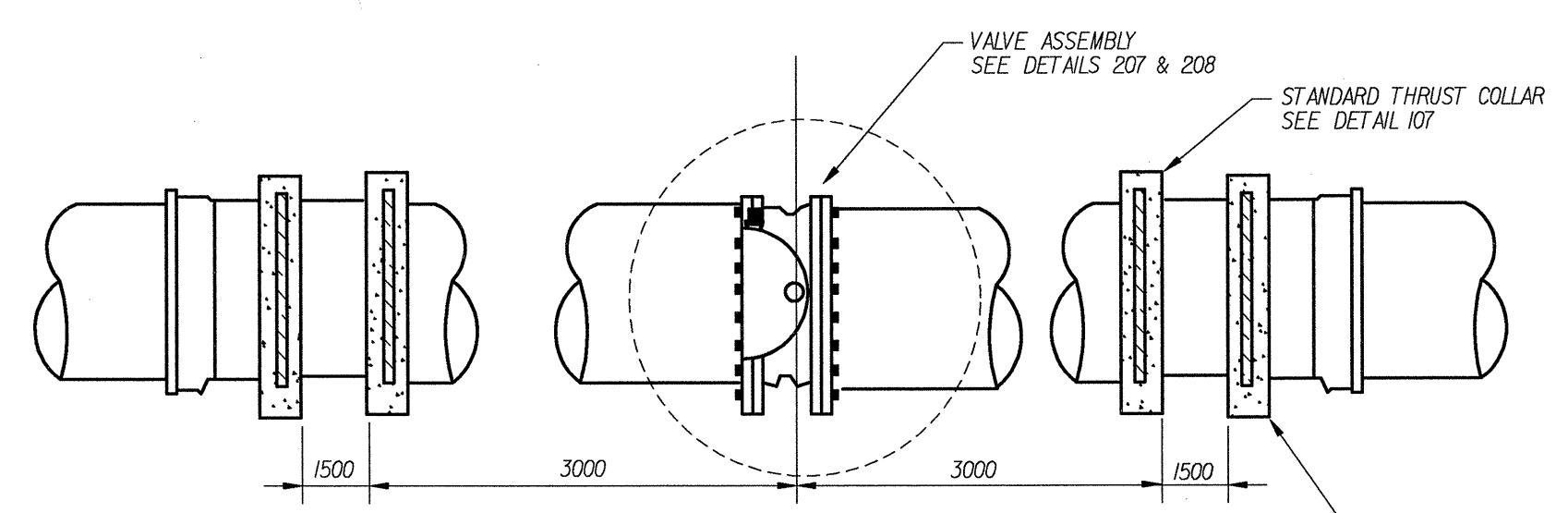
THREADED ROD SCHEDULE

DESIGN PRESSURE (DIMENSIONS IN mm)

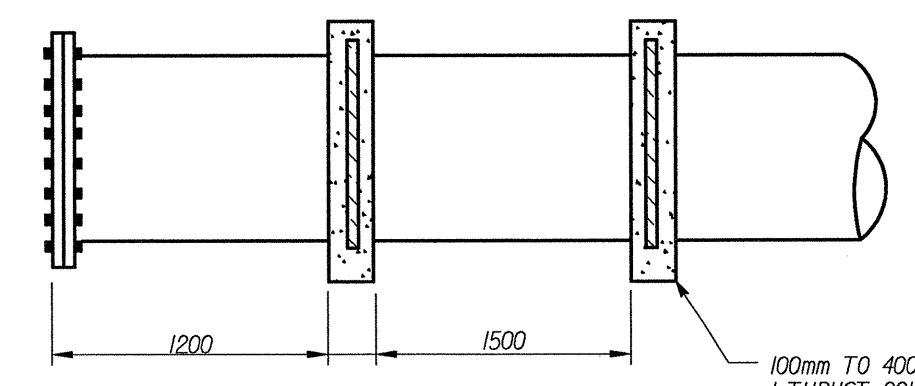
PIPE SIZE	345 kPa		690 kPa		103 MPa		138 MPa		172 MPa		207 MPa		241 MPa	
	BOLTS NO-DIA	TAB THK	BOLTS NO-DIA	TAB THK	BOLTS NO-DIA	TAB THK	BOLTS NO-DIA	TAB THK	BOLTS NO-DIA	TAB THK	BOLTS NO-DIA	TAB THK	BOLTS NO-DIA	TAB THK
100-150	2-19	25	2-19	25	2-19	25	2-19	25	2-19	25	2-19	25	2-19	25
200	2-19	31	2-19	31	2-19	31	2-19	31	2-19	31	2-19	31	2-19	31
250	2-19	31	2-19	31	2-19	31	4-19	31	4-19	31	4-19	31	4-19	31
300	2-19	31	2-19	31	4-19	31	4-19	31	6-19	31	6-19	31	6-19	31
350	2-19	38	4-19	38	4-19	38	4-19	38	4-19	38	4-19	38	4-19	38
400	2-19	38	4-19	38	6-19	38	4-19	38	4-19	38	4-19	38	6-19	38
450	2-19	44	4-19	44	6-19	44	4-19	44	6-19	44	6-19	44	6-19	44
500	4-19	44	4-19	44	4-19	44	4-19	44	6-19	44	6-19	44	8-19	44
600	4-19	50	4-19	50	6-19	50	6-19	50	8-19	50	10-19	50	10-19	50
750	4-25	56	4-25	56	4-25	56	6-25	56	8-25	56	10-25	56	10-25	56
900	4-25	63	4-25	63	6-25	63	8-25	63	10-25	63	12-1	63	14-25	63
1050	4-31	69	4-31	69	6-31	69	8-31	69	10-31	69	12-31	69	12-31	69
1200	6-31	69	4-31	69	8-31	69	8-31	69	12-31	69	12-31	69	14-31	69
1350	6-31	75	6-31	75	8-31	75	12-31	75	14-31	75	16-31	75	18-31	75

- THREADED RODS FOR ALL PIPE DIAMETERS IN THE SHADED AREA SHALL BE ASTM A93 (GRADE B7).
- ALL OTHER THREADED RODS SHALL BE ASTM A36. ALL TABS SHALL BE ASTM A572 GR50.
- ASTM A93 (GRADE B7) RODS SHALL BE LABELED AND BUNDLED SEPARATELY.
- THIS SCHEDULE SHALL APPLY FOR HARNESSED FLANGED ADAPTERS, HARNESSED FLEXIBLE COUPLINGS AND ALL MECHANICAL JOINT COUPLINGS, SLEEVES ETC. THAT ARE REQUIRED TO BE HARNESSED.
- RODS THREADED AT ENDS (INCLUDING NUTS) SHALL BE EQUALLY SPACED AROUND PIPE BETWEEN ALL MECHANICAL JOINT FITTINGS (TEE, VALVES, BEND, PLUG, ETC) OR AS OTHERWISE SHOWN ON THE CONTRACT DRAWINGS. THREADED RODS SHALL BE AS SHOWN IN THE THREADED ROD SCHEDULE. SEE NOTE 6.
- RODS, NUTS, ETC. IN CONTACT WITH SOIL SHALL BE PAINTED WITH TWO COATS OF COAL TAR (0.650mm DFT) TYPICAL 46-465 HI-BUILD OR EQUAL.

302

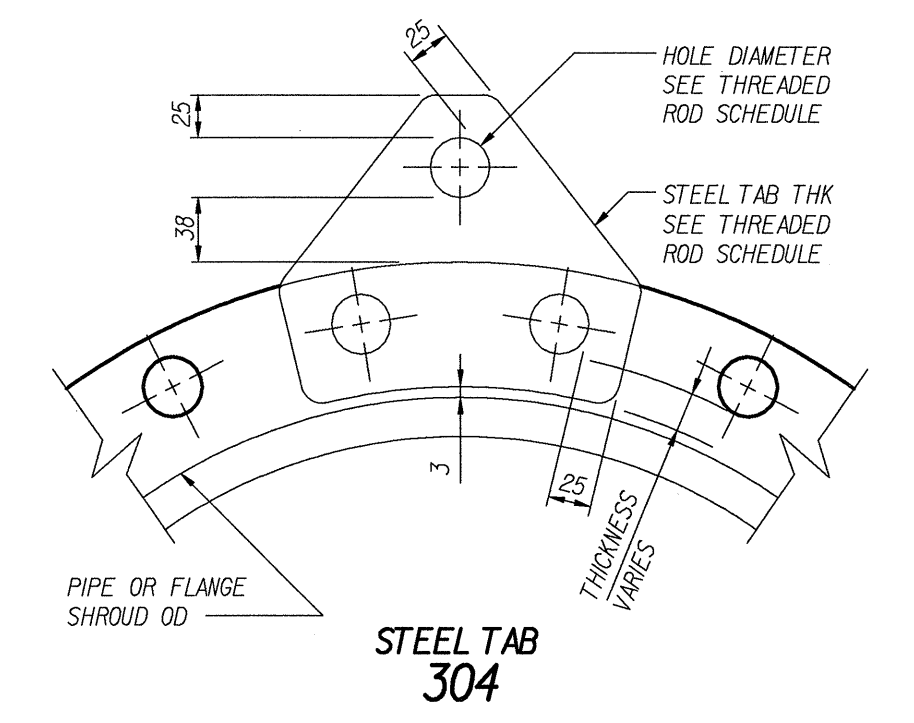


THRUST COLLARS AT VALVES
400mm AND LARGER

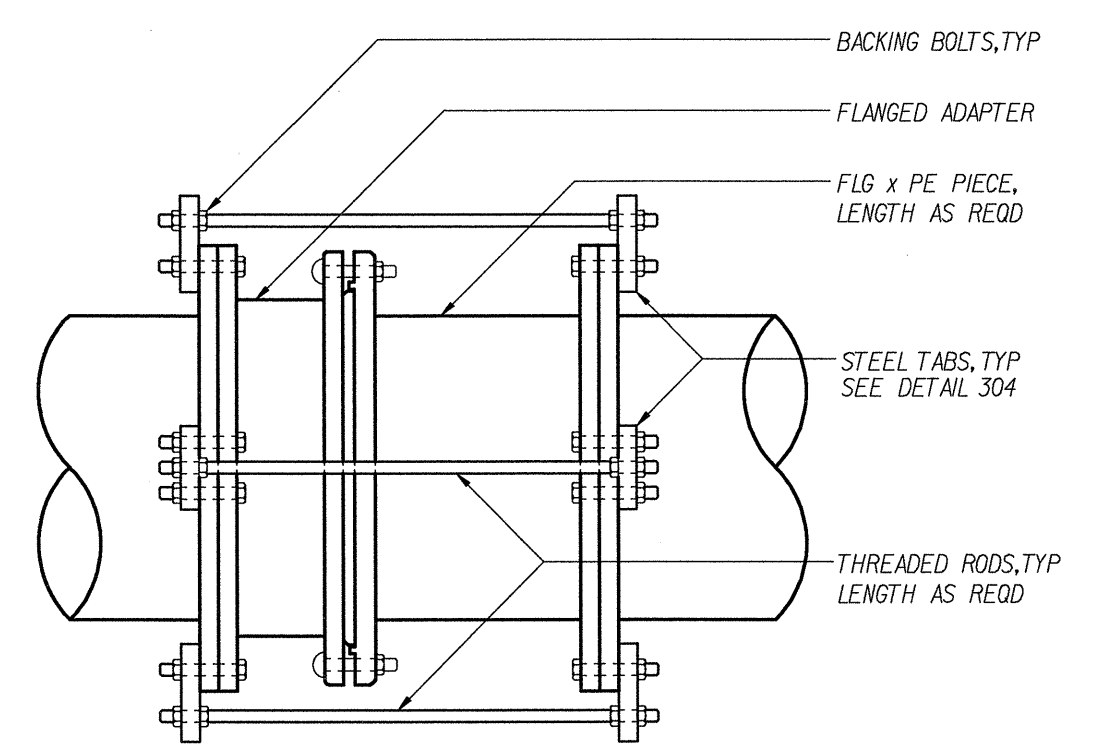


THRUST COLLARS AT BLOW-OFF
307

NOTE:
1. A THRUST RESTRAINT DESIGN PRESSURE OF 2.41 MPa SHALL BE USED FOR THIS PROJECT.



STEEL TAB
304



NOTE: ALL FLANGED ADAPTERS SHALL BE HARNESSED AND BACK BOLTED TO PREVENT MOVEMENT IN EITHER DIRECTION. SEE THREADED ROD SCHEDULE (DETAIL 302) FOR ROD DIAMETER, MATERIAL AND STEEL TAB THICKNESS.

HARNESSED FLANGED ADAPTER
303