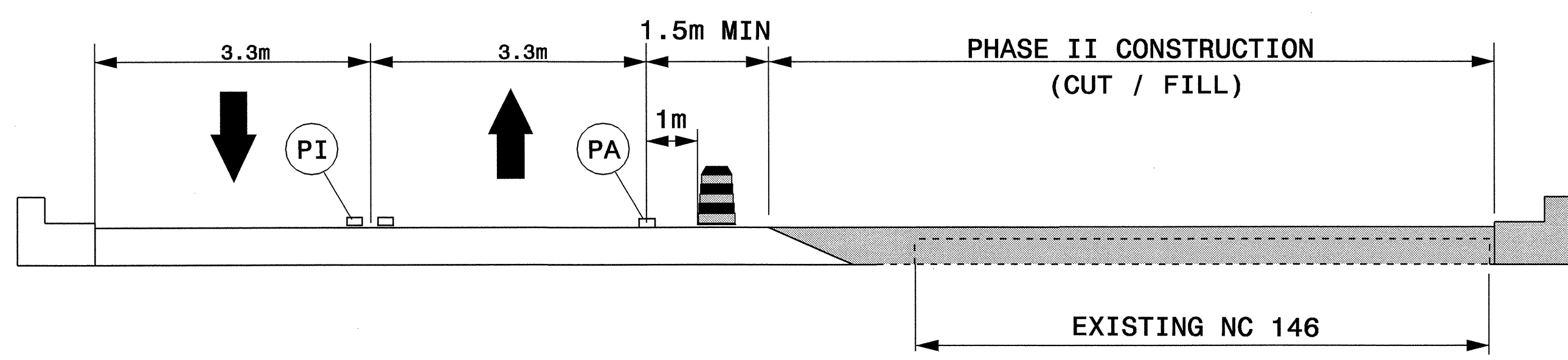
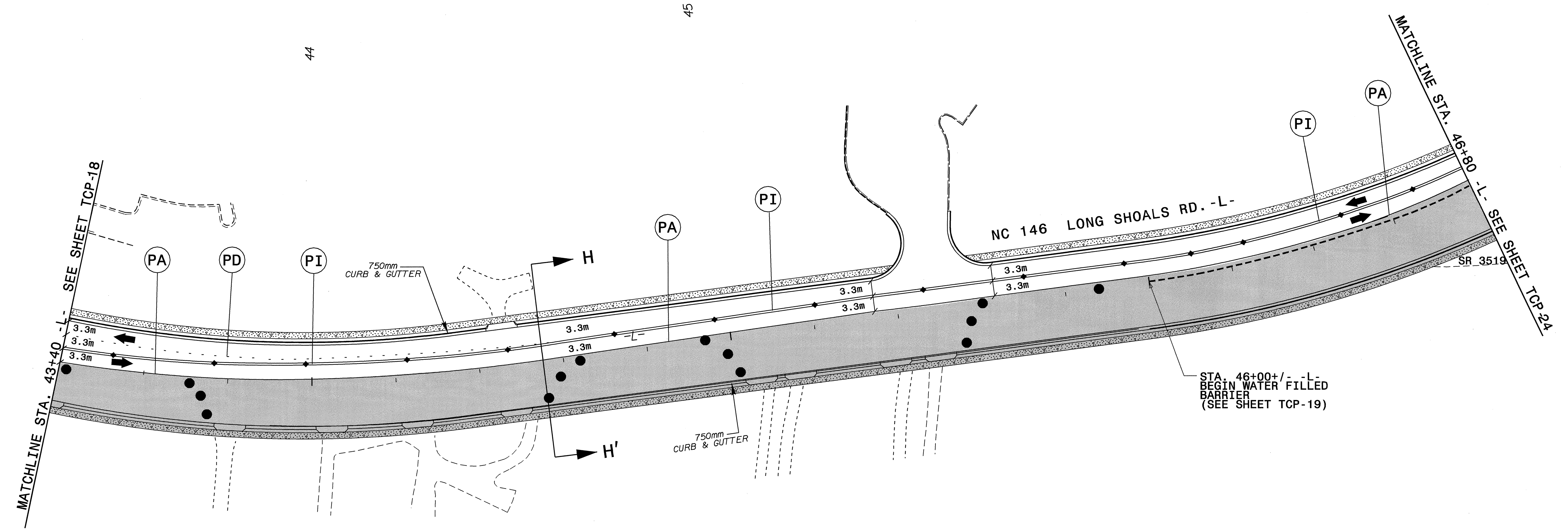




PROJ. REFERENCE NO.	SHEET NO.
R-2813C	TCP-23



SECTION H-H'
STA. 44+60+/- -L- TO STA. 46+60+/- -L-

SEE RDWY. STD. DWG. 1250.01 AND 1251.01 FOR PAVEMENT MARKER SPACING AND RAISED PAVEMENT MARKERS.

100mm CONCRETE SIDEWALK

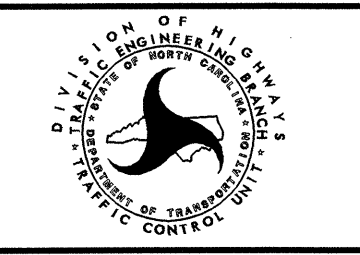
SEE SHEET PM-1 FOR PAVEMENT MARKING SCHEDULE

APPROVED: DATE: 8/10/03

SEAL:

PHASE II, STEPS 2, 3 & 4

SCALE:	NONE
DATE:	AUGUST 2003
DWG. BY:	JLE
DESIGN BY:	JLE
REVIEWED BY:	JWG



REVISIONS	

08-MAR-2004 15:45
M:\TCP\R2813C_TCP_PHASE_II.dgn
mmantiquez AT TETC095141