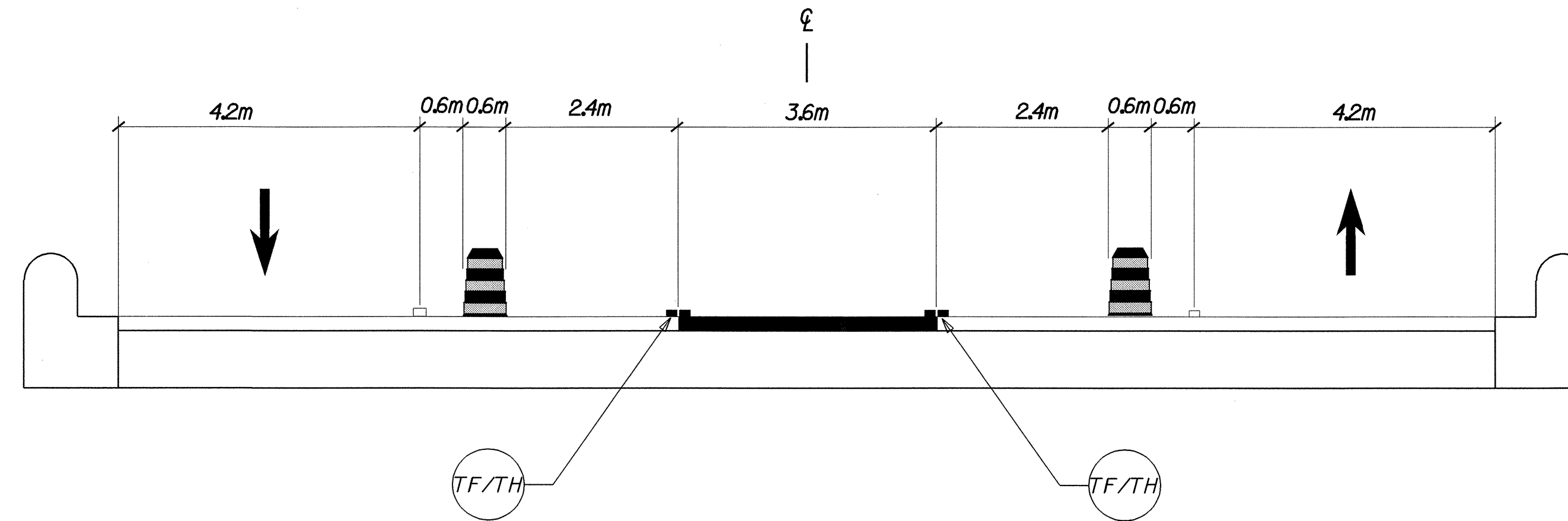
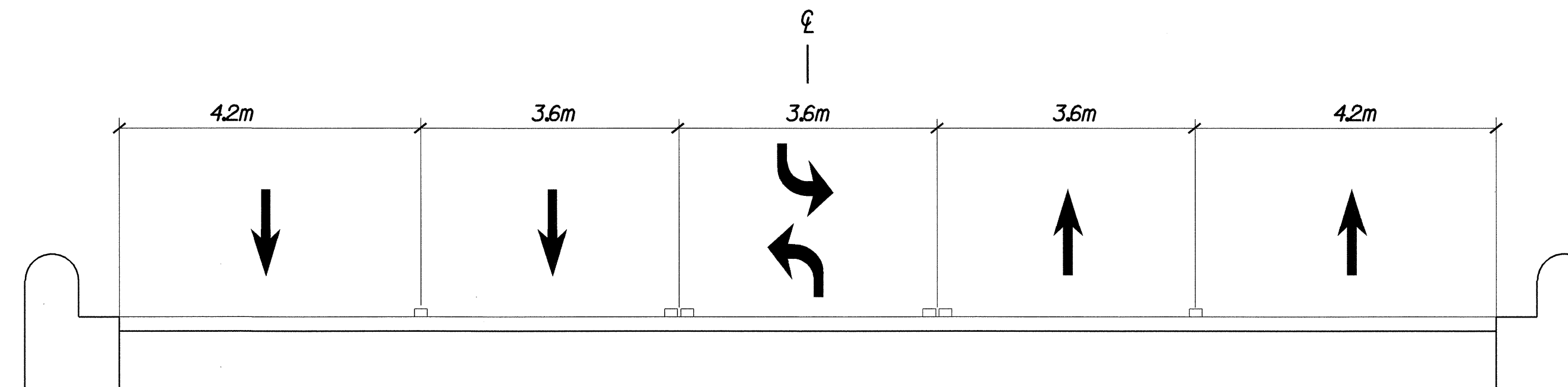




PROJ. REFERENCE NO.	SHEET NO.
R-2813C	TCP-30B



TYPICAL F-F'



FINAL TRAFFIC PATTERN

SEE RDWY. STD. DWG. 1250.01 AND 1251.01 FOR PAVEMENT MARKER SPACING AND RAISED PAVEMENT MARKERS.

SEE RDWY. STD. DWG. 1205.09 FOR PAINTED ISLANDS.

SEE SHEET PM-1 FOR PAVEMENT MARKING SCHEDULE

08-MAR-2004 15:44
M:\TCP\B2813C_TCP_Typical.dgn
mmahr:iquez AT 1E10195141

APPROVED:	DATE: 5/1/04	PHASE III, STEPS 1C & D											
	SCALE: NONE												
	DATE: 12/03	<table border="1"> <thead> <tr> <th colspan="2">REVISIONS</th> </tr> </thead> <tbody> <tr> <td> </td> <td> </td> </tr> <tr> <td> </td> <td> </td> </tr> <tr> <td> </td> <td> </td> </tr> </tbody> </table>				REVISIONS							
	REVISIONS												
DWG. BY: MRM	<table border="1"> <tr> <td>CADD FILE</td> </tr> </table>		CADD FILE										
CADD FILE													
DESIGN BY: JWG													
REVIEWED BY: JWG													