

20-MAY-2003 07:54
 W:\Special Details\New\forward\stds\02: Stds to Special Details\metric\86202\0862d02m.dgn
 tspeil -fl 05198310

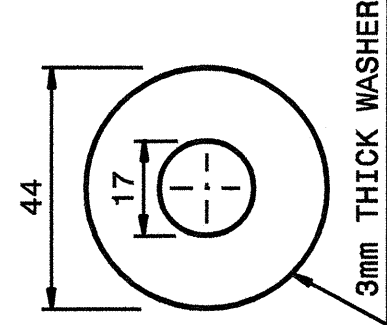
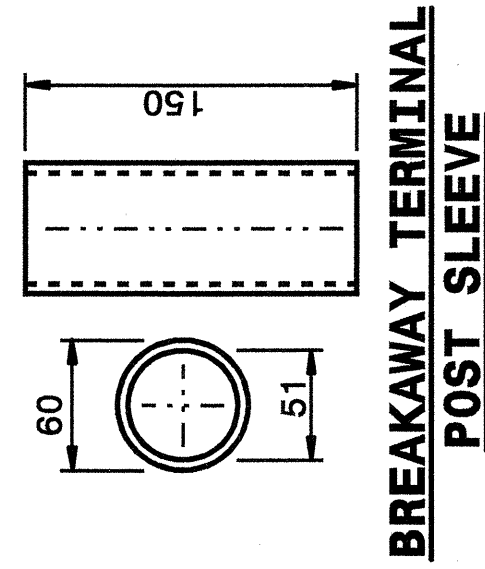
86/0049

STATE OF NORTH CAROLINA
 DEPT. OF TRANSPORTATION
 DIVISION OF HIGHWAYS
 RALEIGH, N.C.

METRIC DETAIL DRAWING FOR
 GUARDRAIL INSTALLATION

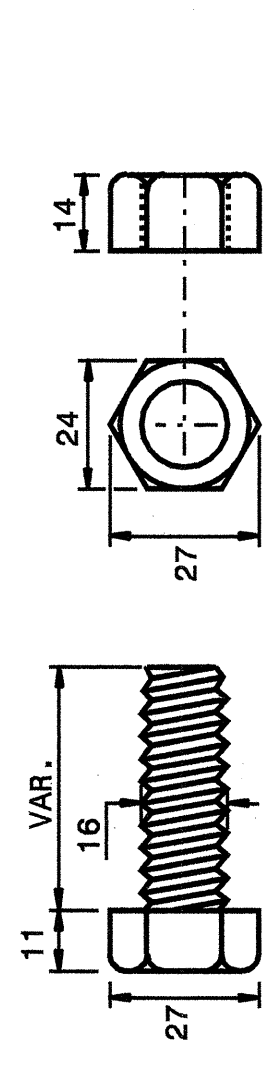
SHEET 5 OF 7
 862D02

Note:
 This drawing is dimensioned in millimeters unless otherwise depicted within the drawing.

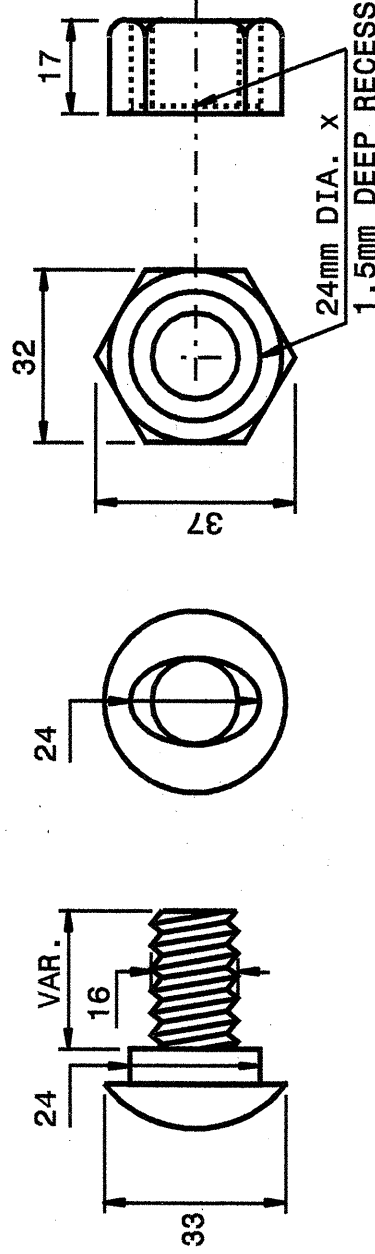


DETAIL OF STANDARD WASHER

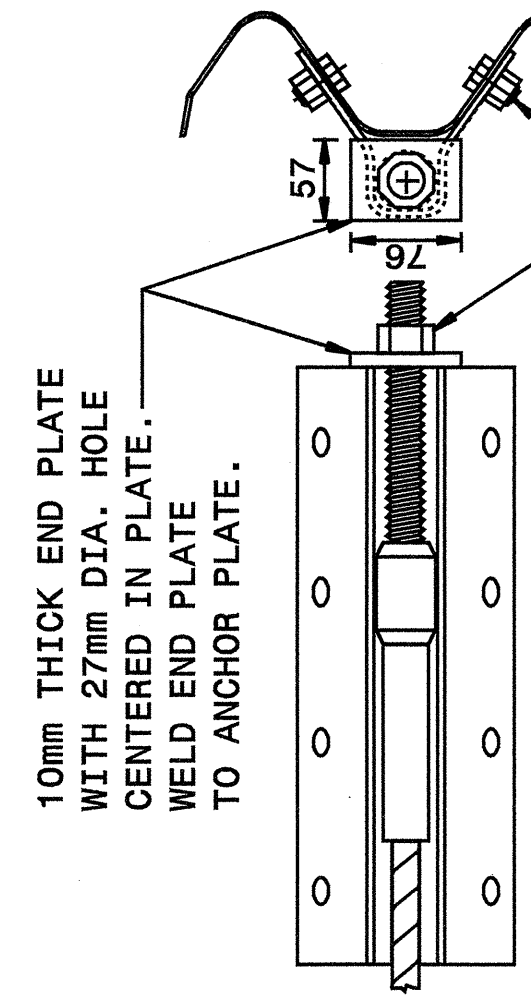
STANDARD WASHER: TYPICAL USE UNDER NUT WITH WOOD POST



DETAIL OF STANDARD HEX BOLT AND NUT



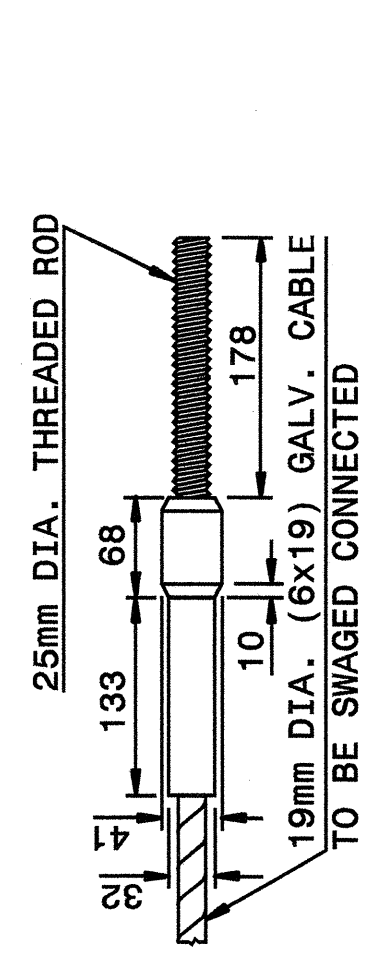
DETAIL OF BUTTON HEAD BOLT AND NUT



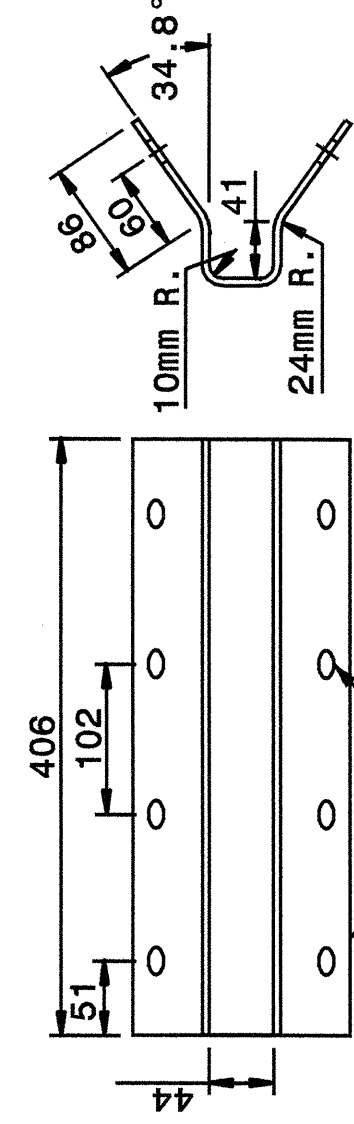
10mm THICK END PLATE WITH 27mm DIA. HOLE CENTERED IN PLATE. WELD END PLATE TO ANCHOR PLATE.

16mm HEX HEAD BOLT WITH WASHER UNDER NUT (8 REQ.D PER ASSEMBLY)

ANCHOR PLATE ASSEMBLY



SWAGED CABLE



4.75mm THICK GALV. STEEL PLATE

ANCHOR PLATE

CABLE ASSEMBLY

SYSTEM PARTS

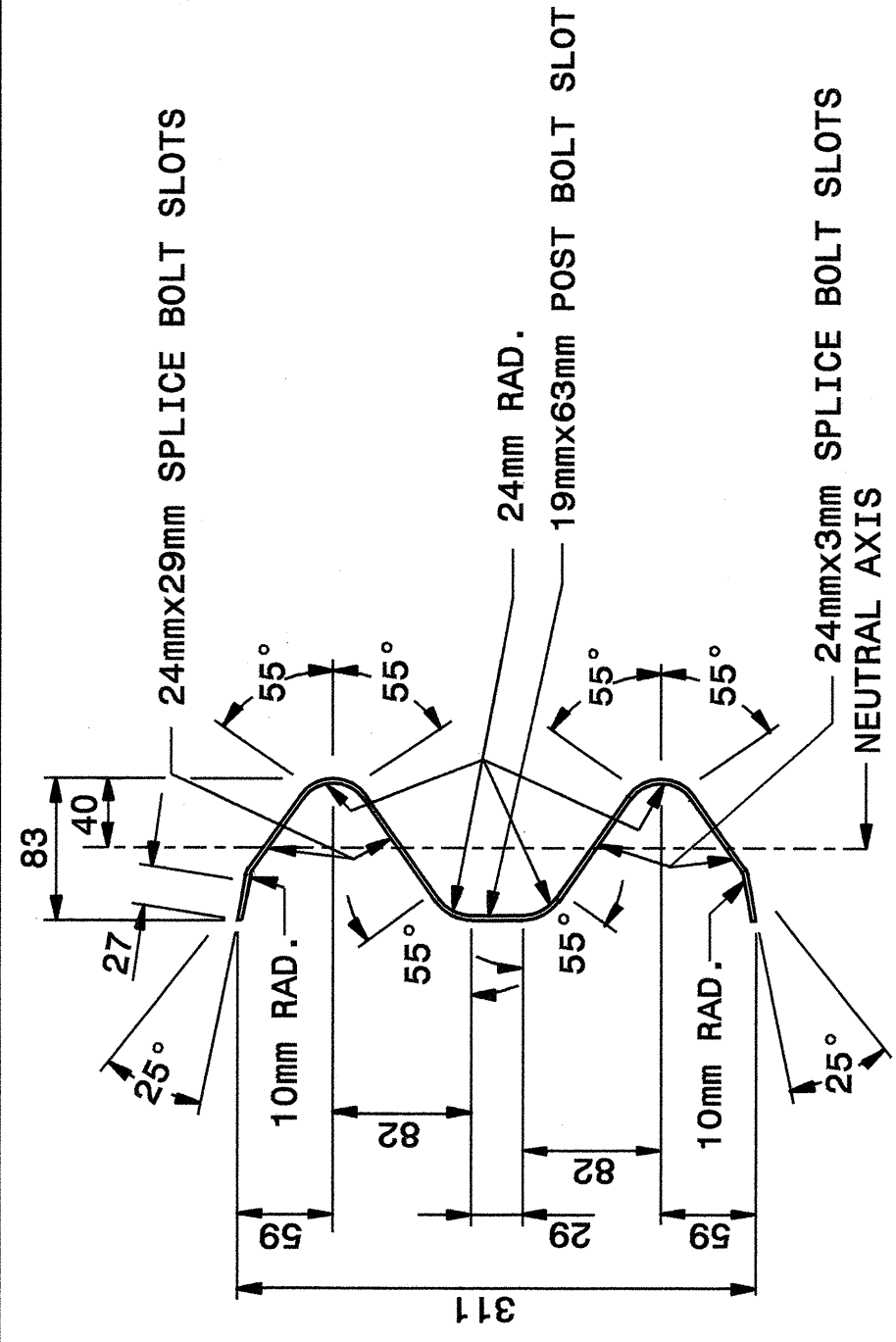
SHEET 5 OF 7
 862D02

STATE OF NORTH CAROLINA
 DEPT. OF TRANSPORTATION
 DIVISION OF HIGHWAYS
 RALEIGH, N.C.

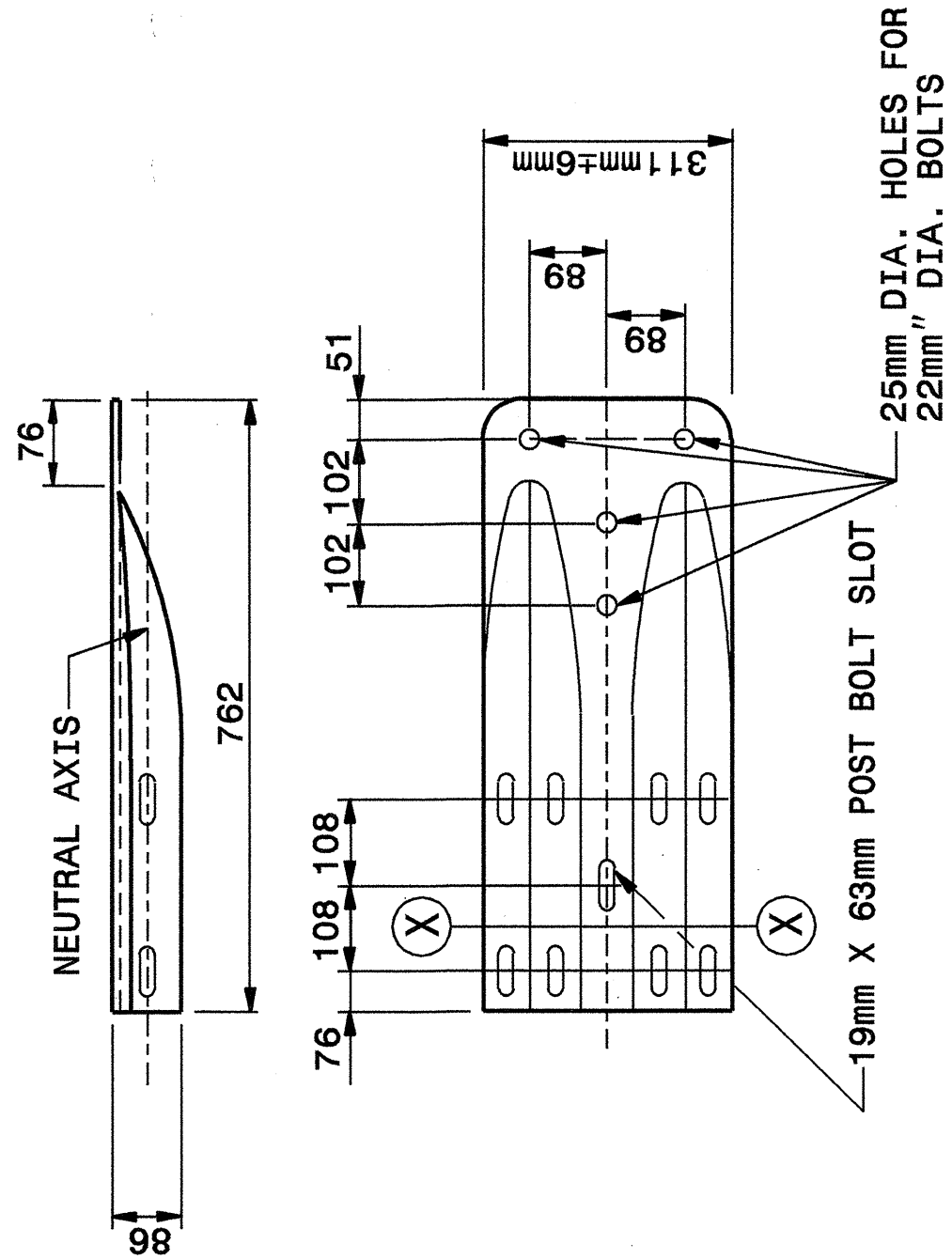
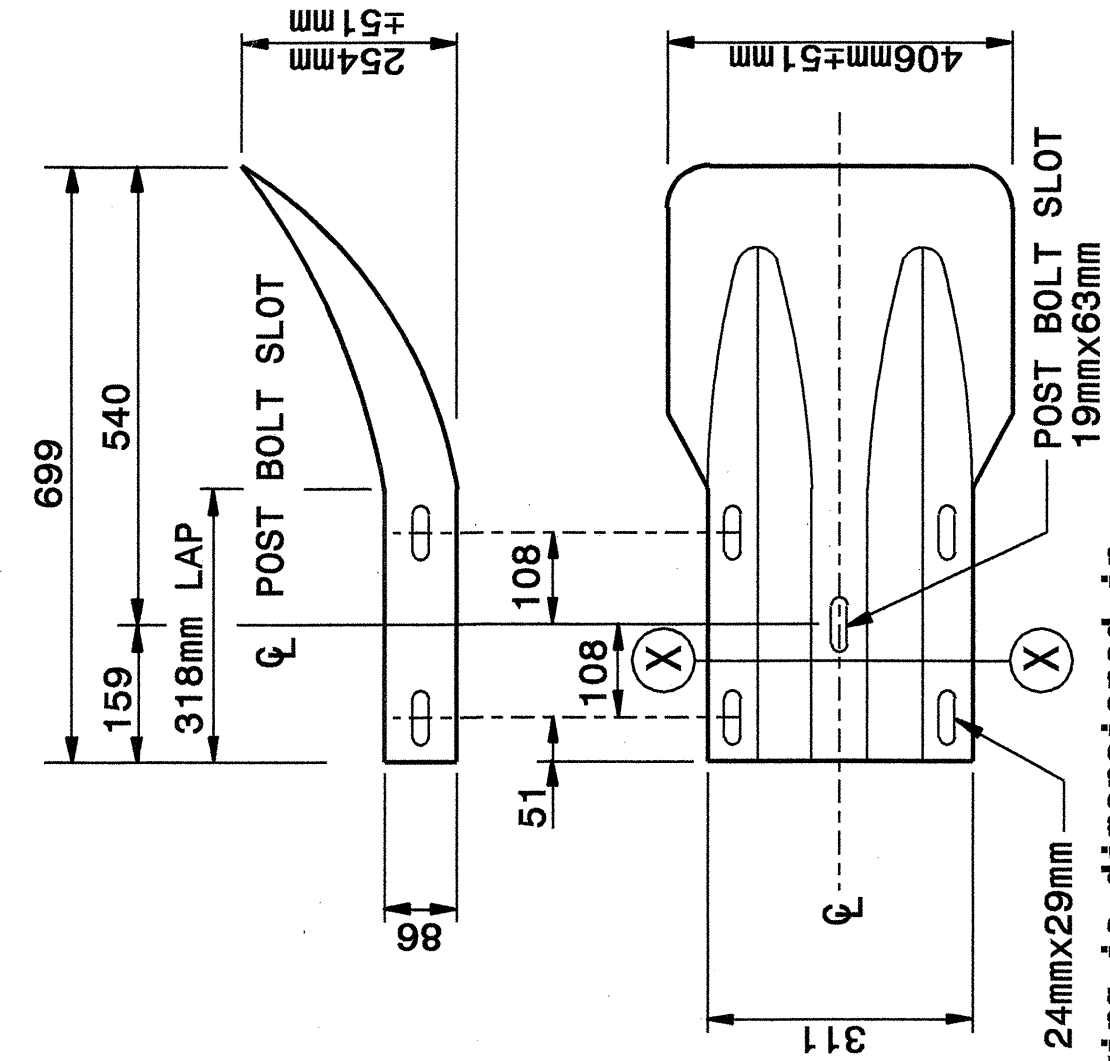
METRIC DETAIL DRAWING FOR
 GUARDRAIL INSTALLATION

SHEET 6 OF 7
 862D02

Note:
 This drawing is dimensioned in millimeters unless otherwise depicted within the drawing.



SECTION X-X



TYPICAL END SHOE

SYSTEM PARTS - GENERAL USE

SHEET 6 OF 7
 862D02

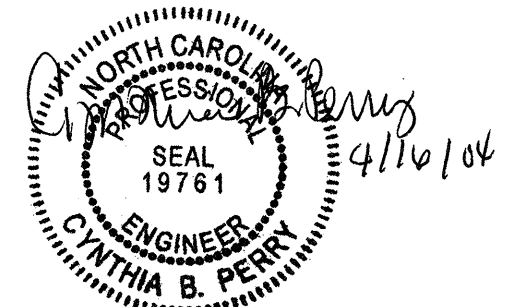
STATE OF NORTH CAROLINA
 DEPT. OF TRANSPORTATION
 DIVISION OF HIGHWAYS
 RALEIGH, N.C.

METRIC DETAIL DRAWING FOR
 GUARDRAIL INSTALLATION

DESIGN SERVICES UNIT
 STANDARDS AND SPECIAL DESIGN
 Office 919-250-4128 FAX 919-250-4119

SEE PLATE FOR TITLE

ORIGINAL BY: 2002 STD. 862.02 DATE: 02-09-03
 MODIFIED BY: E.E. WARD DATE: 02-09-03
 CHECKED BY: [Signature] DATE: 5-03
 FILE SPEC.: /usr/stds/02todet/L/metric/86202/862d02m.dgn



PROJECT REFERENCE NO. R-2813C
 SHEET NO. 2-Q