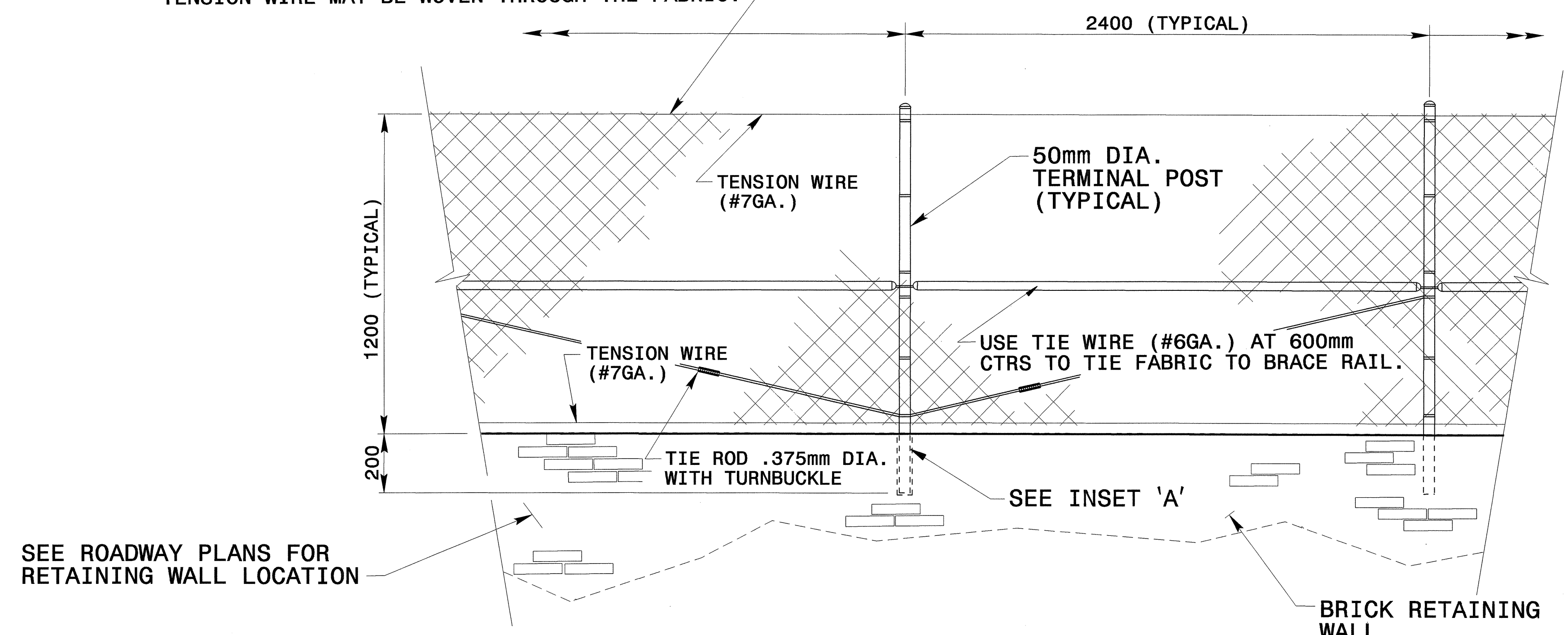
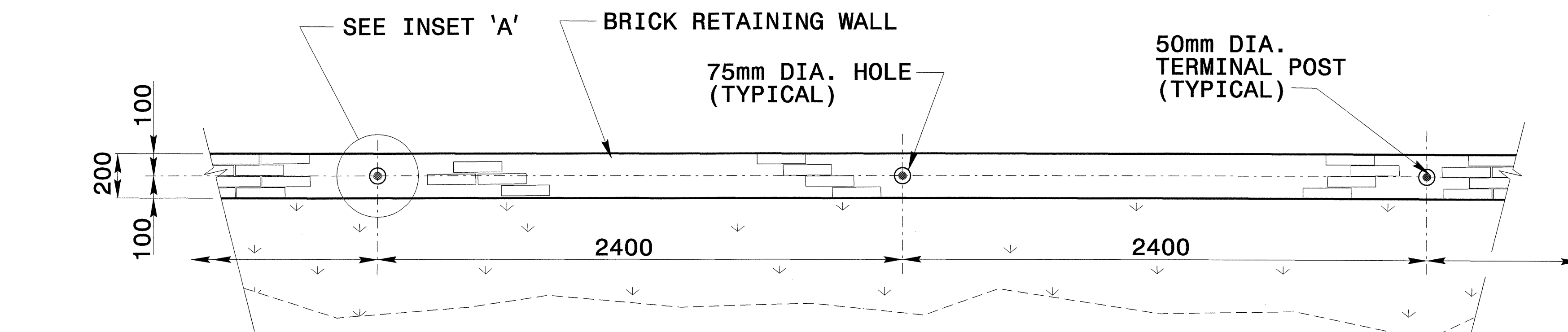




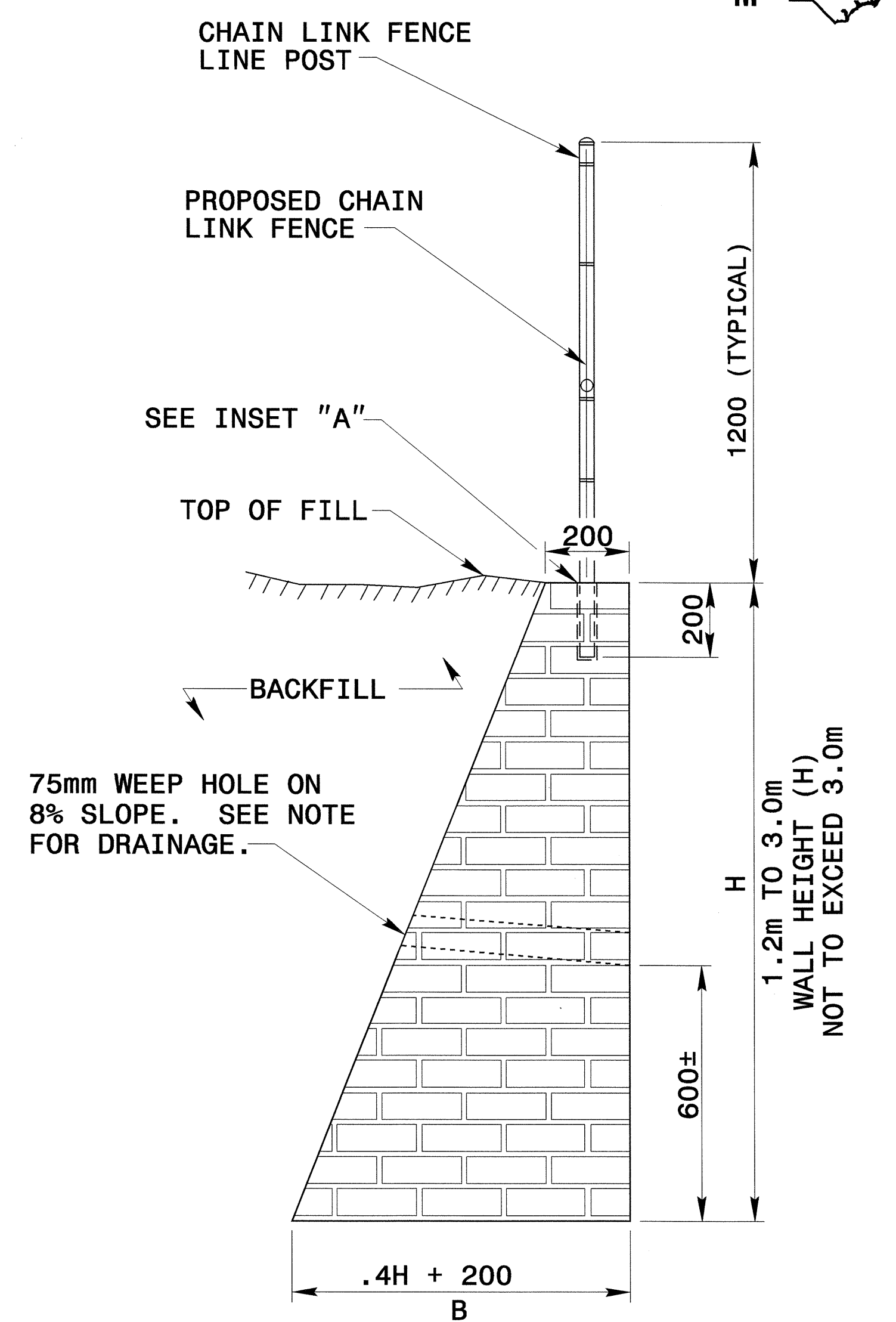
THE FABRIC MAY EITHER BE FASTENED TO THE TENSION WIRE BY HOG RINGS SPACED AT 600mm INTERVALS, OR THE TENSION WIRE MAY BE WOVEN THROUGH THE FABRIC.



ELEVATION OF CHAIN LINK FENCE ON RETAINING WALL

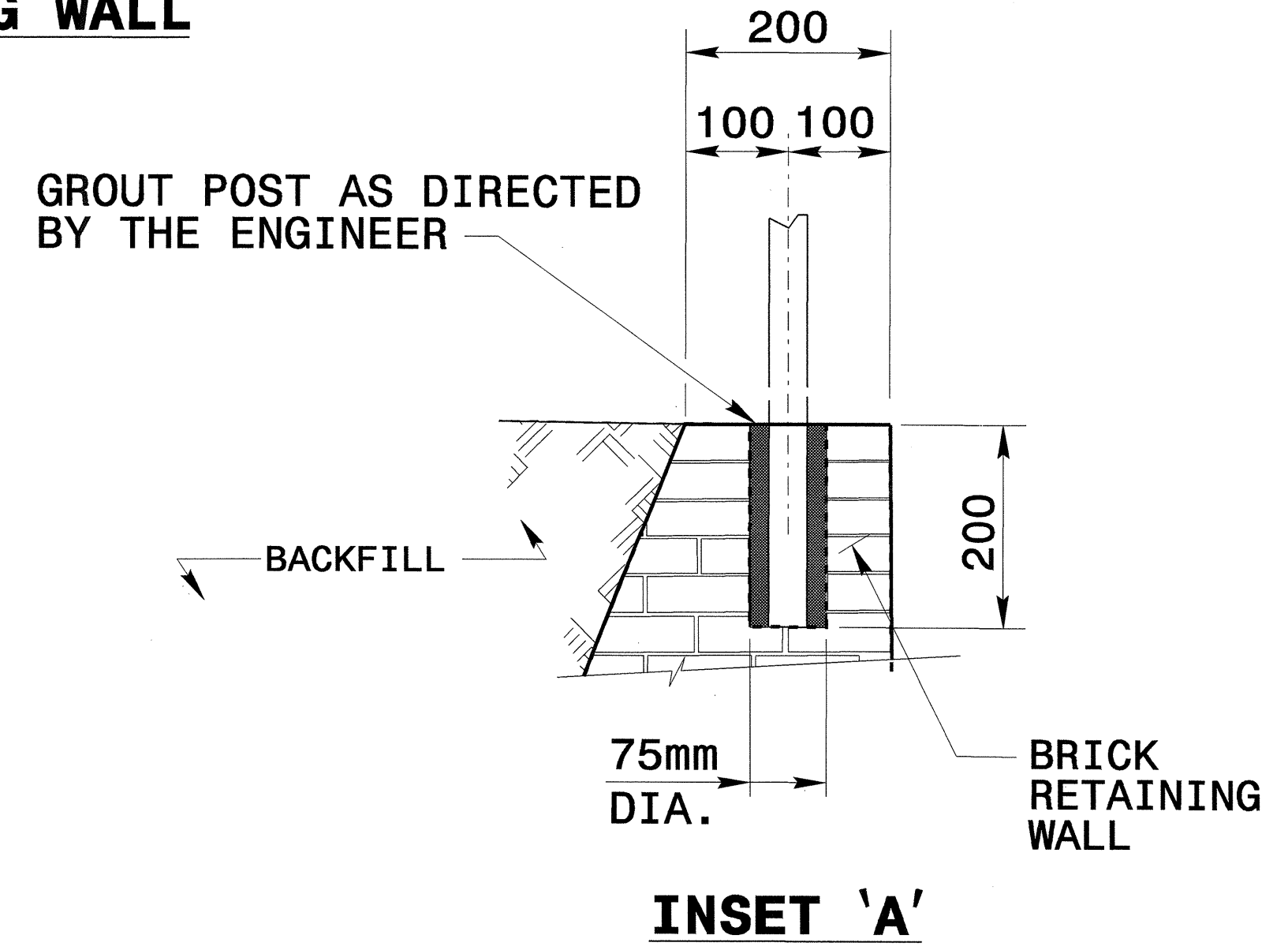


PLAN VIEW OF RETAINING WALL

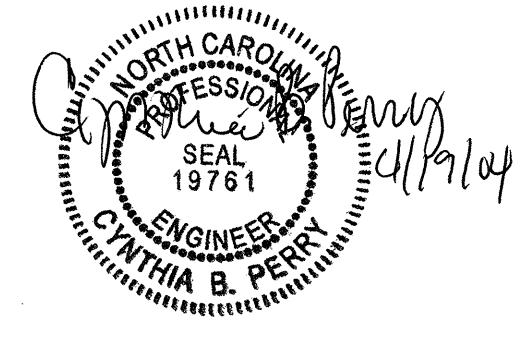


SECTION OF BRICK MASONRY RETAINING WALL

- GENERAL NOTES:**
- * EXACT LOCATIONS AND QUANTITIES DETERMINED BY THE ENGINEER IN THE FIELD.
 - * ELEVATION OF BOTTOM OF THE FOOTING, WIDTH OF BASE AND HEIGHT OF WALL DETERMINED BY THE ENGINEER IN THE FIELD.
 - * INSPECTION AND APPROVAL OF THE FOUNDATION BY THE ENGINEER IS REQUIRED PRIOR TO PLACING ANY MASONRY MATERIAL.
 - * PLACE WEEP HOLES 75mm IN DIAMETER AT ABOUT 3.0m INTERVALS JUST ABOVE THE SURFACE OF THE EXISTING GROUND.
 - * PLACE A STONE DRAIN CONSISTING OF 0.028 CUBIC METERS OF #78M STONE CONTAINED IN A BAG OF POROUS FABRIC AT EACH WEEP HOLE. PLACE SUBDRAIN FINE AGGREGATE BENEATH, AROUND AND OVER THE STONE DRAIN SO THE STONE DRAIN IS COVERED BY A LAYER OF SUBDRAIN FINE AGGREGATE AT LEAST 300mm THICK. PLACE A HORIZONTAL DRAIN OF SUBDRAIN FINE AGGREGATE AT LEAST 300mm SQUARE IN CROSS SECTION TO CONNECT ALL STONE DRAINS.
 - * PLACE A VERTICAL DRAIN OF SUBDRAIN FINE AGGREGATE AT LEAST 300mm SQUARE IN CROSS SECTION AT EACH WEEP HOLE TO AN ELEVATION OF 600mm BELOW THE SURFACE OF THE EMBANKMENT.
 - * USE CLASS "A" CONCRETE THROUGHOUT FOR CONCRETE RETAINING WALLS.
 - * IN A CONCRETE RETAINING WALL, USE 13mm EXPANSION JOINTS EVERY 7.6m.
 - * MAXIMUM WIRE SPACING TO BE 150mm
 - * MAXIMUM CLEARANCE BETWEEN LOWEST STRAND AND TOP OF WALL TO BE 150mm
 - * ERECT ADDITIONAL TERMINAL POSTS IF DIRECTED BY THE ENGINEER.
 - * BRACE TERMINAL POST FROM BOTH SIDES OF POST.



INSET 'A'



DESIGN SERVICES UNIT
STANDARDS AND SPECIAL DESIGN
 Office 919-250-4128 FAX 919-250-4119

BRICK RETAINING WALL WITH CHAIN LINK FENCE

ORIGINAL BY: _____ DATE: _____
 MODIFIED BY: rnbritt DATE: 04-16-04
 CHECKED BY: C.B. Perry DATE: 4-19-04
 FILE SPEC.: details/nbritt/metric/mrural/r2813cslotteddrain.dgn

6/10/04
 I:\APB-2004\1124
 \Special Details\metric\mural\r2813c slotted drain.dgn
 RNBritt AT D5203039