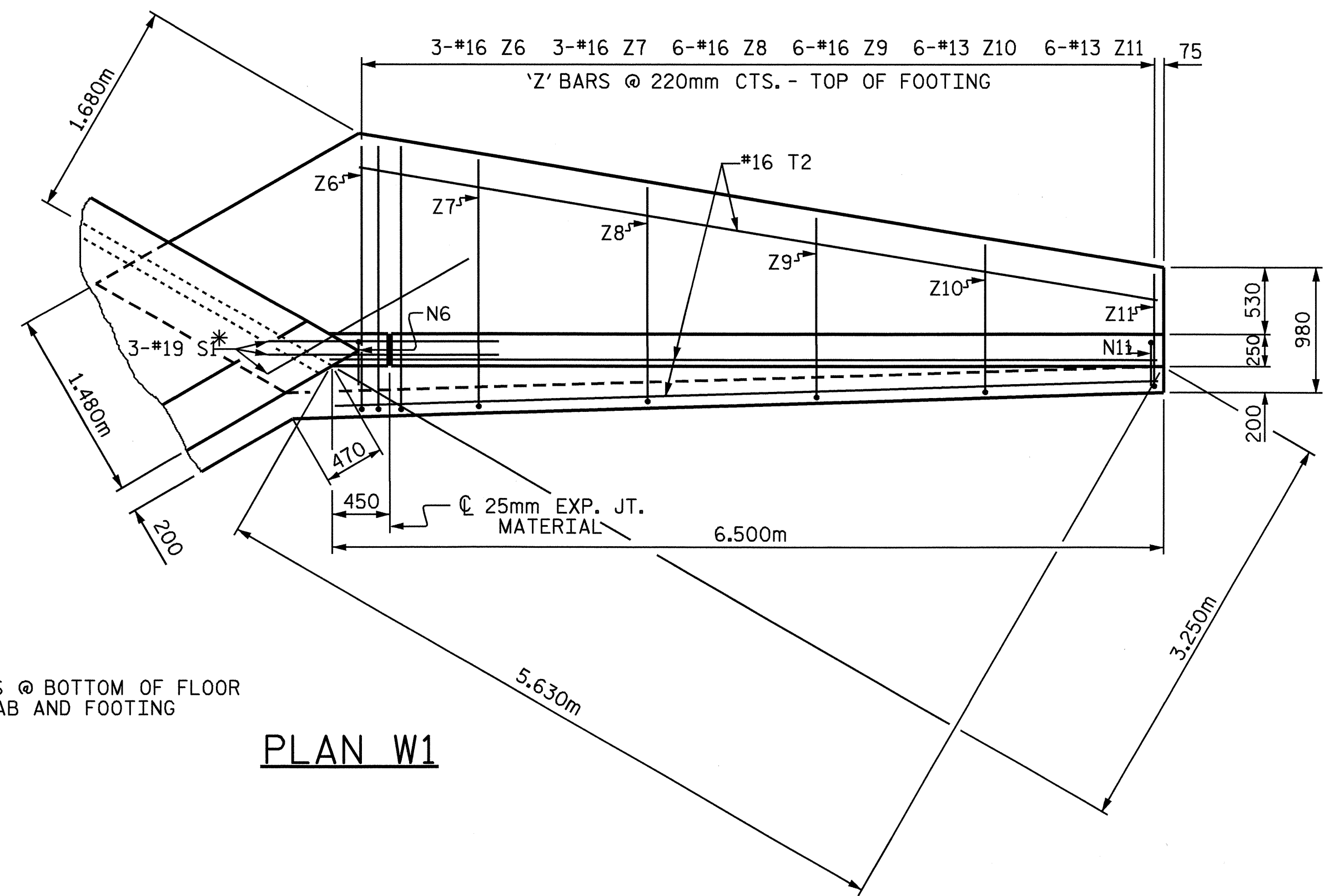
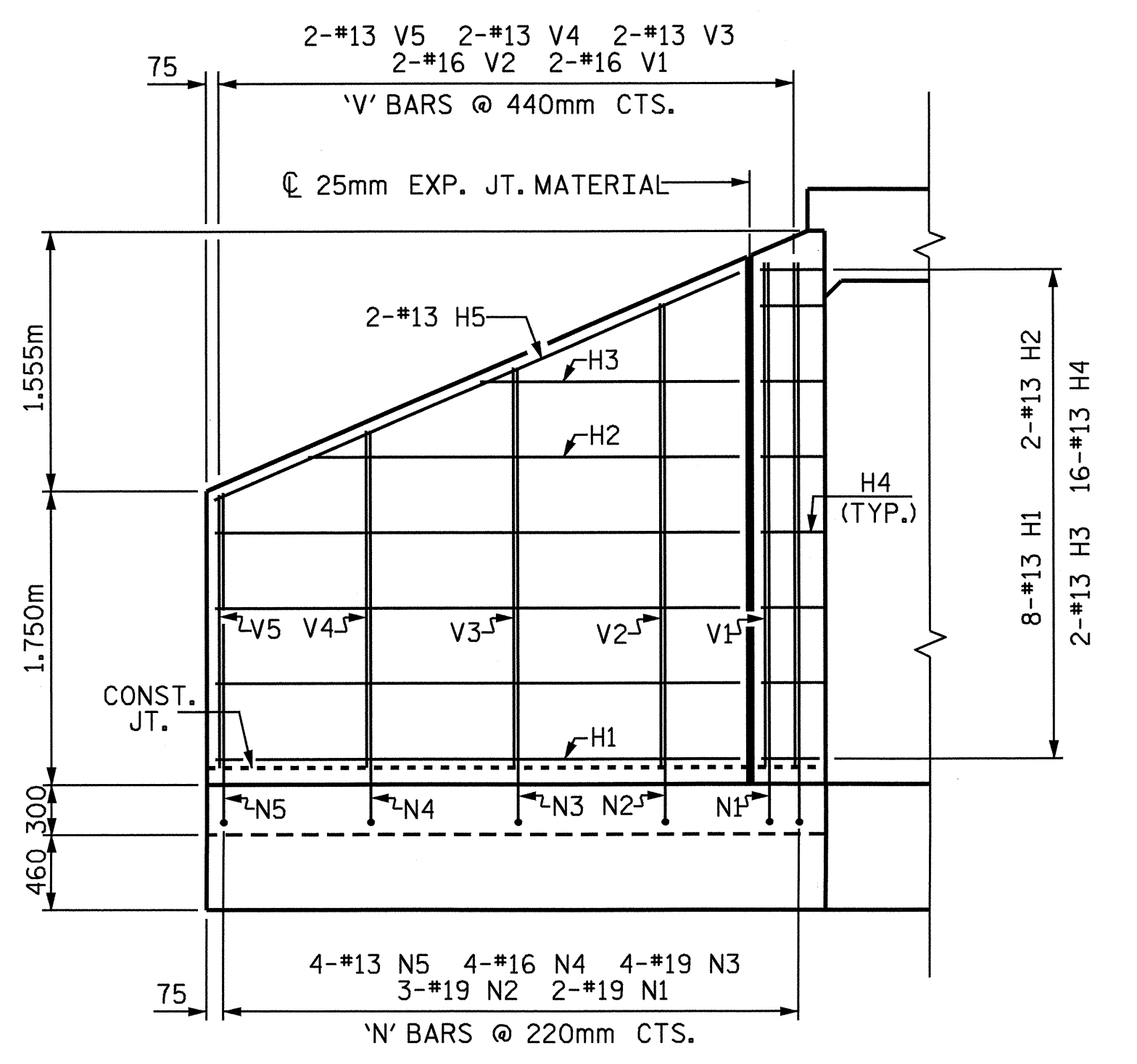


PLAN W2

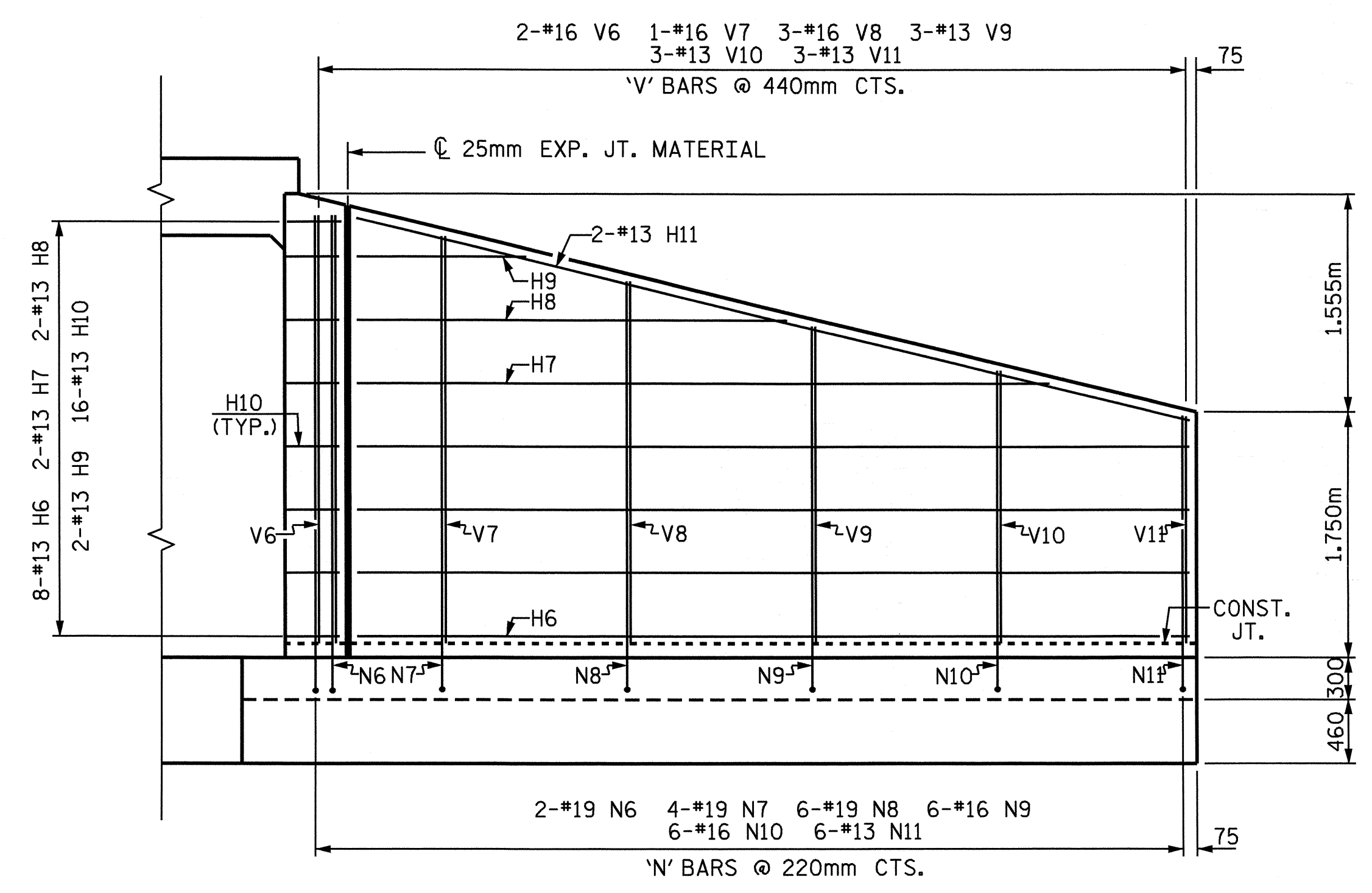


PLAN W1

*1 BARS @ BOTTOM OF FLOOR SLAB AND FOOTING

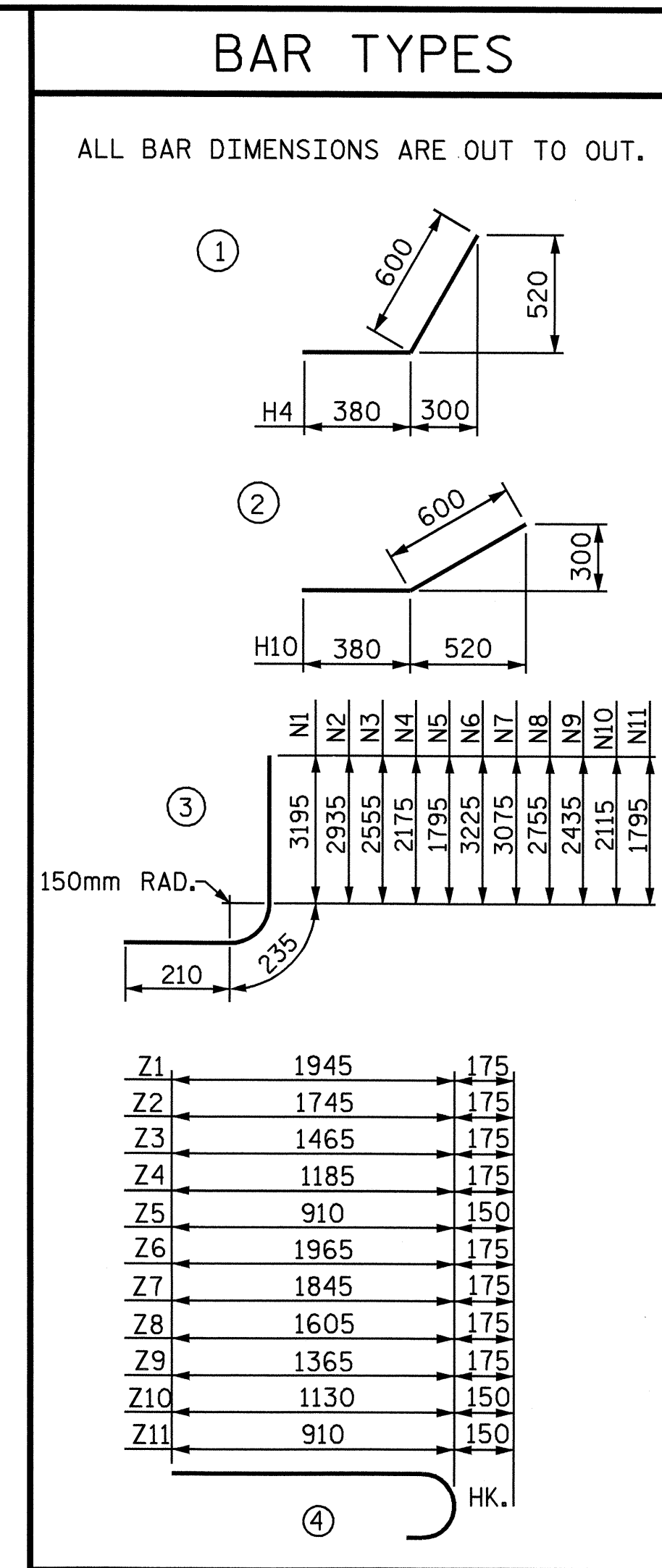


ELEVATION W2



ELEVATION W1

FOR WING ORIENTATION, SEE BARREL STANDARD SHEET.

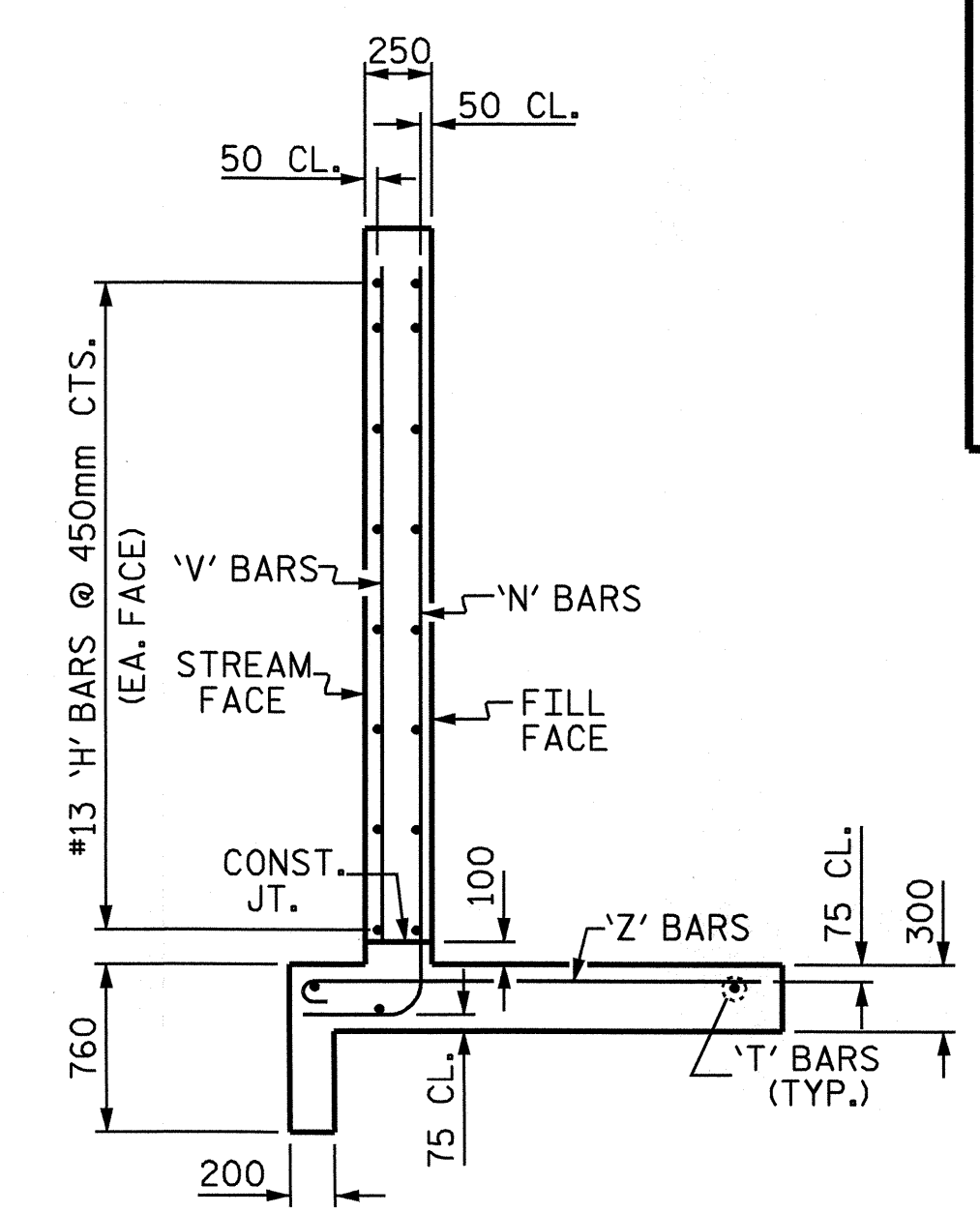


Z1	1945	175
Z2	1745	175
Z3	1465	175
Z4	1185	175
Z5	910	150
Z6	1965	175
Z7	1845	175
Z8	1605	175
Z9	1365	175
Z10	1130	150
Z11	910	150

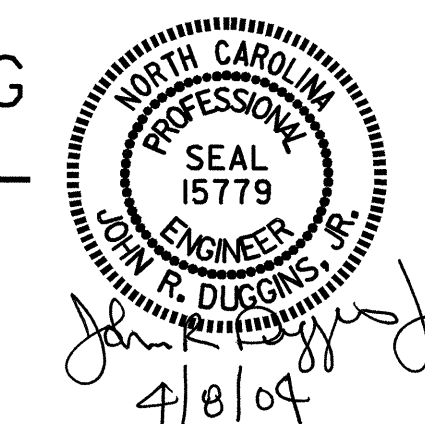
BILL OF MATERIAL		BAR NO.	SIZE	TYPE	LENGTH	WEIGHT
H1	8	13	STR	3140	25	
H2	2	13	STR	2600	5	
H3	2	13	STR	1540	3	
H4	16	13	STR	980	16	
H5	2	13	STR	3400	7	
H6	8	13	STR	5940	47	
H7	2	13	STR	5040	10	
H8	2	13	STR	3200	6	
H9	2	13	STR	1360	3	
H10	16	13	STR	980	16	
H11	2	13	STR	6100	12	
N1	2	19	STR	3640	16	
N2	3	19	STR	3380	23	
N3	4	19	STR	3000	27	
N4	4	16	STR	2620	16	
N5	4	13	STR	2240	9	
N6	2	19	STR	3680	16	
N7	4	19	STR	3520	31	
N8	6	19	STR	3200	43	
N9	6	16	STR	2880	27	
N10	6	16	STR	2560	24	
N11	6	13	STR	2240	13	
S1	6	19	STR	1800	24	
T1	3	16	STR	3700	17	
T2	3	16	STR	6500	30	
V1	2	16	STR	3060	9	
V2	2	16	STR	2800	9	
V3	2	13	STR	2420	5	
V4	2	13	STR	2040	4	
V5	2	13	STR	1620	3	
V6	2	16	STR	3060	9	
V7	1	16	STR	2940	5	
V8	3	16	STR	2620	12	
V9	3	13	STR	2300	7	
V10	3	13	STR	1980	6	
V11	3	13	STR	1620	5	
Z1	2	16	STR	2120	7	
Z2	3	16	STR	1920	9	
Z3	4	16	STR	1640	10	
Z4	4	16	STR	1360	8	
Z5	4	13	STR	1060	4	
Z6	3	16	STR	2140	10	
Z7	3	16	STR	2020	9	
Z8	6	16	STR	1780	17	
Z9	6	16	STR	1540	14	
Z10	6	13	STR	1280	8	
Z11	6	13	STR	1060	6	

REINFORCING STEEL FOR 2 WING WALLS 642 kg

CLASS A CONCRETE		
2 WINGS	12.8	m ³
1 HEADWALLS	0.4	m ³
1 END CURTAIN WALLS	0.3	m ³
2 EDGE BEAMS	0.5	m ³
TOTAL	14.0	m³



TYPICAL WING SECTION



PROJECT NO. R-2813C
BUNCOMBE COUNTY
STATION: 58+91.630 -L-

SHEET 4 OF 4

STATE OF NORTH CAROLINA
DEPARTMENT OF TRANSPORTATION
RALEIGH
WINGS FOR CONCRETE BOX CULVERT
H=3.050m SLOPE=2:1
120° SKEW

REVISIONS						SHEET NO.
NO.	BY:	DATE:	NO.	BY:	DATE:	C-4
1			3			TOTAL SHEETS
2			4			4

ASSEMBLED BY : M.E. POOLE	DATE : 06/03
CHECKED BY : J.L. LAMBERT	DATE : 06/03
DRAWN BY : JLR 6/97	
CHECKED BY : VAP 5/98	