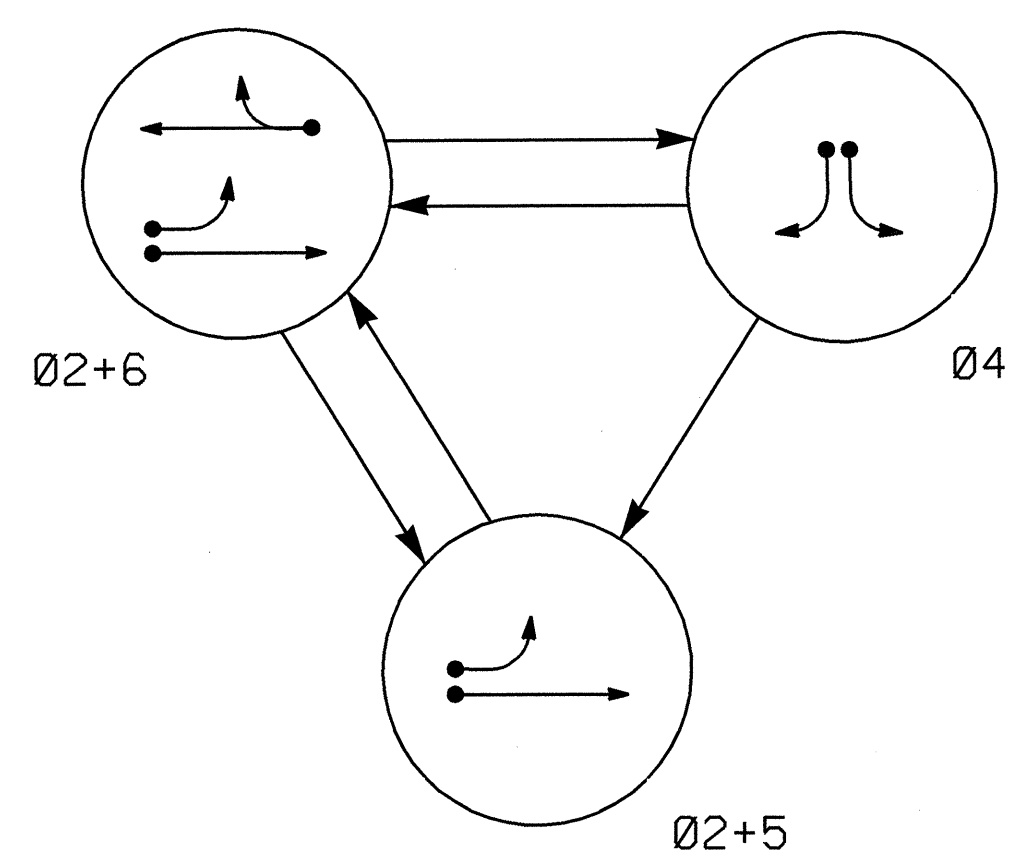
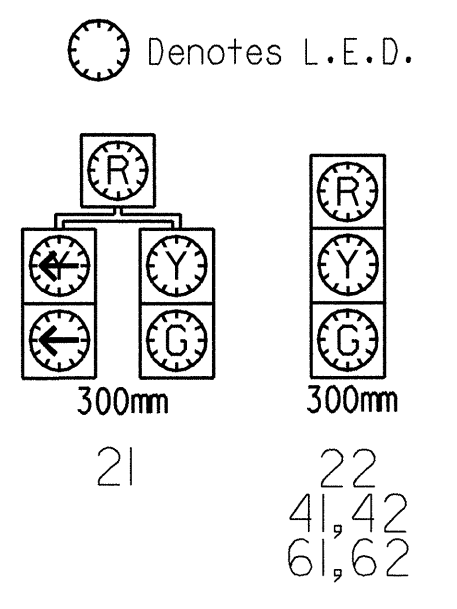


PHASING DIAGRAM



SIGNAL FACE	PHASE			
	Ø2+5	Ø2+6	Ø4	Ø2+5
21	G	R	Y	
22	G	R	Y	
41,42	R	R	G	R
61,62	R	G	R	Y

SIGNAL FACE I.D.



2070L LOOP & DETECTOR INSTALLATION												
INDUCTIVE LOOPS					DETECTOR PROGRAMMING							
LOOP	SIZE (M)	TURNS	DISTANCE FROM STOPBAR (M)	NEW LOOP	PHASE	CALLING	EXTENSION	FULL TIME DELAY	SYSTEM LOOP	STRETCH TIME	DELAY TIME	NEW CARD
2A	1.8X1.8	4	21	Y	2	Y	Y	-	-	-	-	-
4A	1.8X1.8	2-4-2	0	Y	4	Y	Y	-	-	-	3	-
4B	1.8X1.8	2-4-2	0	Y	4	Y	Y	-	-	-	10	-
5A	1.8X1.8	2-4-2	0	Y	2	Y	Y	-	-	-	15	-
6A	1.8X1.8	4	21	Y	6	Y	Y	-	-	-	-	-

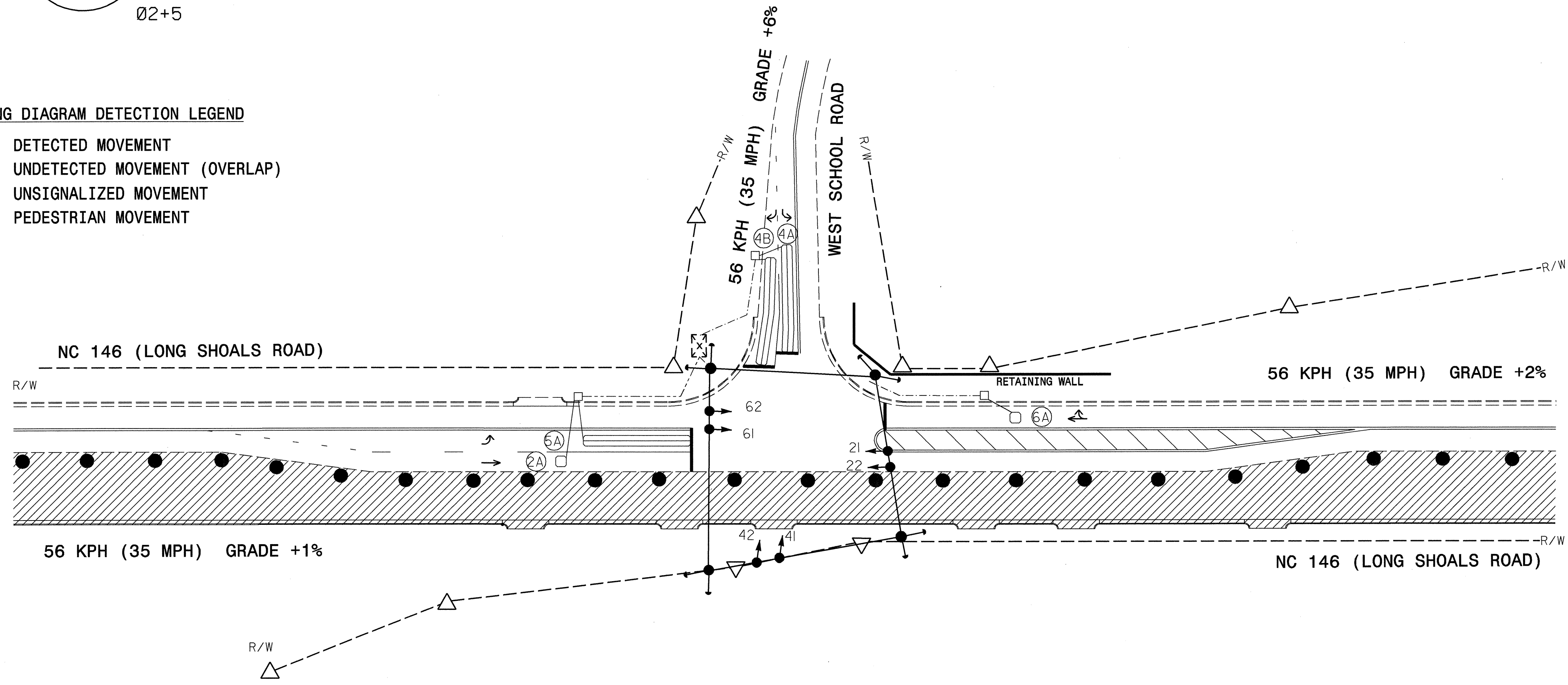
3 Phase Actuated (Isolated)

NOTES

- REFER TO "ROADWAY STANDARD DRAWINGS NCDOT" DATED JANUARY 2002 AND "STANDARD SPECIFICATIONS FOR ROADS AND STRUCTURES" DATED JANUARY 2002.
- REPOSITION EXISTING SIGNAL HEADS NUMBERED 21, 22, 41, 42, 61 AND 62.
- SET ALL DETECTOR UNITS TO PRESENCE MODE.

PHASING DIAGRAM DETECTION LEGEND

- ←● DETECTED MOVEMENT
- ← UNDETECTED MOVEMENT (OVERLAP)
- ←- UNSIGNALIZED MOVEMENT
- ←- - PEDESTRIAN MOVEMENT



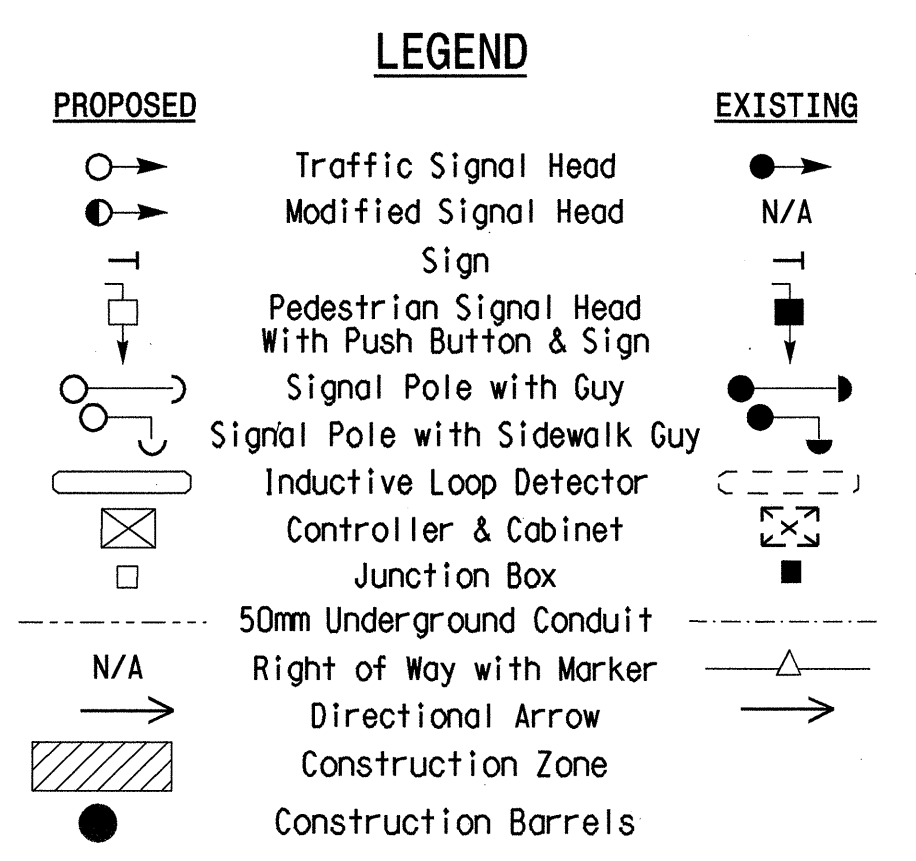
PLAN QUANTITIES

Pay Item	Meters
Signal Cable	—
Messenger Cable	—
Lead-in Cable	160

2070L TIMING CHART

FEATURE	PHASE			
	2	4	5	6
Min Green 1 *	12	7	7	12
Extension 1 *	3	1	1	3
Max Green 1 *	60	25	20	60
Yellow Clearance	4.0	4.0	4.0	4.0
Red Clearance	2.0	1.5	2.0	2.0
Walk 1 *	-	-	-	-
Don't Walk 1	-	-	-	-
Seconds Per Actuation *	-	-	-	-
Max Variable Initial *	-	-	-	-
Time Before Reduction *	-	-	-	-
Time To Reduce *	-	-	-	-
Minimum Gap	-	-	-	-
Recall Mode	MIN RECALL	-	-	MIN RECALL
Vehicle Call Memory	YELLOW	-	-	YELLOW
Dual Entry	-	-	-	-
Simultaneous Gap	ON	ON	ON	ON

* These values may be field adjusted. Do not adjust Min Green and Extension times for phases 2 and 6 lower than what is shown. Min Green for all other phases should not be lower than 4 seconds.



TEMPORARY SIGNAL 3 - PHASE II TCP 24

<p>PLANS PREPARED BY : RUMMEL KLEPPER & KAHL, LLP consulting engineers 5800 FARINGDON PLACE SUITE 105 RALEIGH, NORTH CAROLINA 27609-3960</p> <p>FOR DIVISION OF HIGHWAYS</p>	<p>Prepared for the Offices of: The University and State School Boards The State of North Carolina Department of Transportation Signal and Geometric Section</p> <p>122 N. McDowell St., Raleigh, NC 27603</p>	<p>NC 146 (LONG SHOALS ROAD) AT WEST SCHOOL ROAD</p>		<p>SEAL NORTH CAROLINA PROFESSIONAL ENGINEER DONALD W. MORTON 19798</p>
		<p>DIVISION 13 BUNCOMBE COUNTY ASHEVILLE</p> <p>PLAN DATE: 02-03-04 REVIEWED BY: D. MORTON</p> <p>PREPARED BY: J. COLE RK&K PROJECT NO. 302-079-SIG4</p>	<p>SCALE 5 0 10 1 : 500</p>	