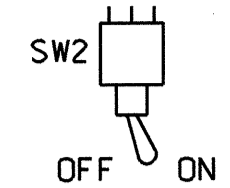


EDI MODEL 2010ECL CONFLICT MONITOR

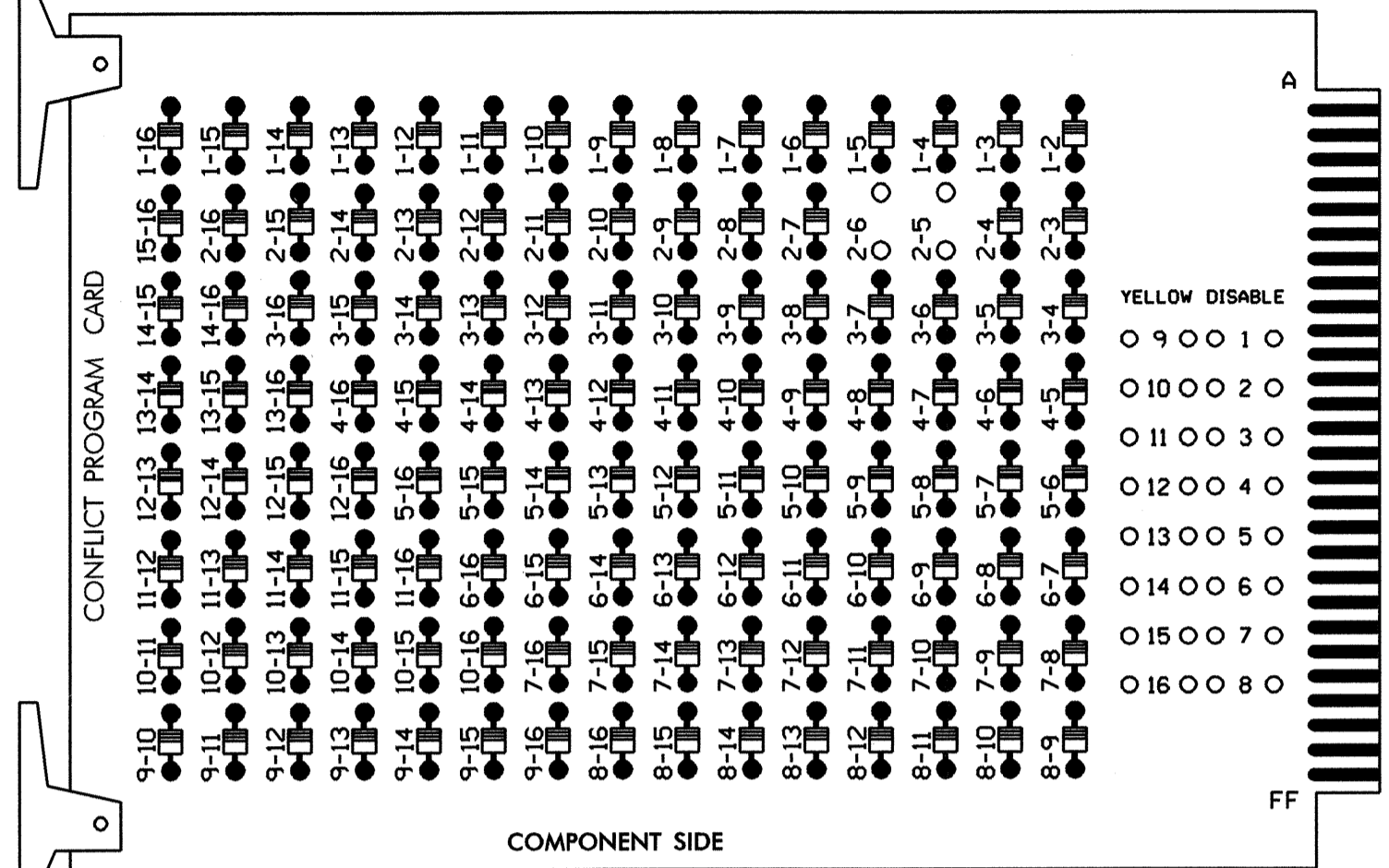
PROGRAMMING DETAIL

WD ENABLE

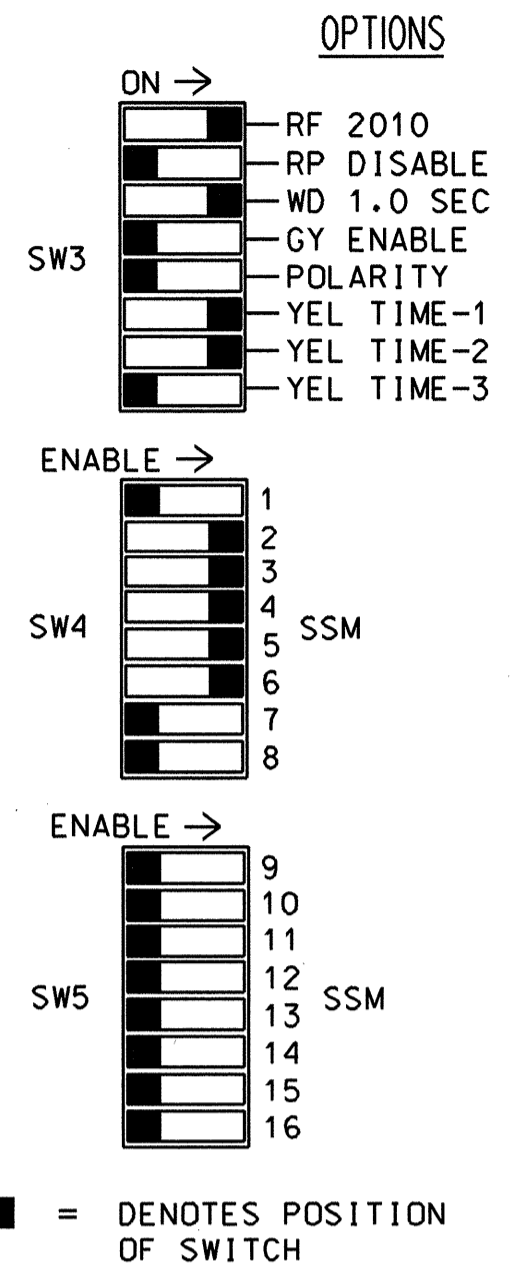


(remove jumpers and set switches as shown)

REMOVE DIODE JUMPERS 2-5 AND 2-6.



REMOVE JUMPERS AS SHOWN



NOTES:

- CARD IS PROVIDED WITH ALL DIODE JUMPERS IN PLACE. REMOVAL OF ANY JUMPER ALLOWS ITS CHANNELS TO RUN CONCURRENTLY.
- MAKE SURE JUMPERS SEL1-SEL5 ARE PRESENT ON THE MONITOR BOARD.

INPUT FILE POSITION LAYOUT

(front view)

	1	2	3	4	5	6	7	8	9	10	11	12	13	14
FILE U	∅ 2	∅ 3				∅ 4								FS
"I" L	2A	3A				4A								DC ISOLATOR
FILE U	∅ 2	∅ 3				NOT USED								ST
"J" L	2B	3B												DC ISOLATOR
FILE U	∅ 5					∅ 6	∅ 6							NOT USED
"J" L	5A					6A,6B	6E							PRE 2
	NOT USED					∅ 6	NOT USED							AC ISOLATOR
						6C,6D								

EX.: 1A, 2A, ETC. = LOOP NO.'S

FS = FLASH SENSE  
ST = STOP TIME  
PRE2 = EMERG. VEH. PREEMPT

INPUT FILE CONNECTION & PROGRAMMING CHART

LOOP NO.	LOOP TERMINAL	INPUT FILE POS.	PIN NO.	INPUT ASSIGNMENT NO.	DETECTOR NO.	NEMA PHASE	CALL	EXTEND	FULL TIME DELAY	STRETCH TIME	DELAY TIME
2A	TB2-5,6	I2U	39	1	2	2	Y	Y	-	1.8	--
2B	TB2-7,8	I2L	43	5	12	2	Y	Y	-	---	--
3A	TB2-9,10	I3U	63	25	32	3	Y	Y	-	---	3
3B	TB2-11,12	I3L	76	38	42	3	Y	Y	-	---	10
4A	TB4-9,10	I6U	41	3	4	4	Y	Y	-	---	3
5A	TB3-5,6	J2U	40	2	6	5	Y	Y	-	---	10
6A,6B	TB5-9,10	J6U	42	4	8	6	Y	Y	-	1.8	--
6C,6D	TB5-11,12	J6L	46	8	18	6	Y	Y	-	---	--
6E	TB7-1,2	J7U	66	28	38	6	Y	Y	Y	---	3

INPUT FILE POSITION LEGEND: J2L  
FILE J  
SLOT 2  
LOWER

NOTES

- TO PREVENT "FLASH-CONFLICT" PROBLEMS, INSERT RED FLASH PROGRAM BLOCKS FOR ALL UNUSED VEHICLE LOAD SWITCHES IN THE OUTPUT FILE. THE INSTALLER SHALL VERIFY THAT SIGNAL HEADS FLASH IN ACCORDANCE WITH THE SIGNAL PLANS.
- ENSURE THAT RED ENABLE IS ACTIVE AT ALL TIMES DURING NORMAL OPERATION. TO PREVENT RED FAILURES ON UNUSED MONITOR CHANNELS, TIE UNUSED RED MONITOR INPUTS 1,7,8,9,10,11,12,13,14,15 & 16 TO LOAD SWITCH AC+ PER CABINET MANUFACTURER'S INSTRUCTIONS.
- PROGRAM CONTROLLER TO START UP IN PHASES 2 AND 6 GREEN.
- ENABLE SIMULTANEOUS GAP-OUT FEATURE, ON CONTROLLER UNIT, FOR ALL PHASES.

FIELD CONNECTION HOOK-UP CHART

LOAD SWITCH NO.	S1	S2	S2P	S3	S4	S4P	S5	S6	S6P	S7	S8	S8P
PHASE	1	2	2 PED	3	4	4 PED	5	6	6 PED	7	8	8 PED
SIGNAL HEAD NO.	NU	21,22	NU	31 32	41 42	NU	21	61,62	NU	NU	NU	NU
GREEN		130		118 118	103 103			136				
YELLOW		129		117 117	102 102			135				
RED		128		116 116	101 101		*	134				
RED ARROW												
YELLOW ARROW								132				
GREEN ARROW				118	103			133				
⚠												
👤												

NU = NOT USED  
\* DENOTES INSTALL LOAD RESISTOR. SEE LOAD RESISTOR INSTALLATION DETAIL THIS PAGE.

EQUIPMENT INFORMATION

CONTROLLER.....CONTRACTOR SUPPLIED 2070L CABINET .....CONTRACTOR SUPPLIED 332 SOFTWARE .....ECONOLITE OASIS CABINET MOUNT.....BASE OUTPUT FILE POSITIONS...12 LOAD SWITCHES USED.....S2,S3,S4,S5,S6 PHASES USED.....2,3,4,5,6 OVERLAPS.....NONE

BACK-UP PROTECTION PROGRAMMING DETAIL

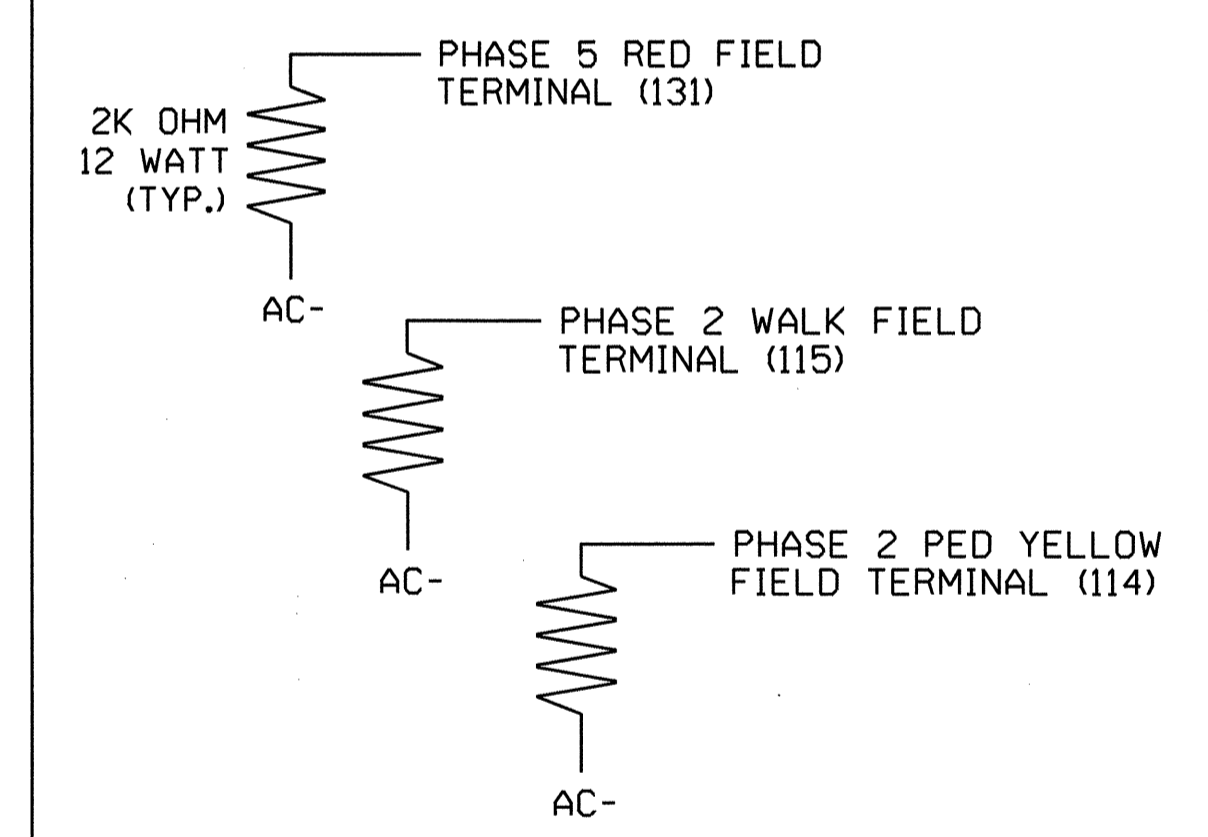
(program controller as shown below)

- FROM MAIN MENU PRESS '2' (PHASE CONTROL), THEN '1' (PHASE CONTROL FUNCTIONS). SCROLL TO THE BOTTOM OF THE MENU AND ENABLE DYNAMIC/BACKUP CONTROL FUNCTION 1.
- FROM PHASE CONTROL FUNCTIONS MENU PRESS '2' (DYNAMIC/BACKUP CONTROL FUNCTIONS).

DYNAMIC/BACKUP CONTROL FUNCTION #01  
OVERLAPS: ! ABCDEFGHIJKLMNPO  
IF OVERLAPS ARE ACTIVE !  
OR PHASES: ! 12345678910111213141516  
IF PHASES ARE ON: X  
OMIT PHASES : X  
CALL PHASES : X

BACKUP PROTECTION PROGRAMMING COMPLETE

LOAD RESISTOR INSTALLATION DETAIL



THIS ELECTRICAL DETAIL IS FOR THE SIGNAL DESIGN: 13-0284T1  
DESIGNED: 04/10/2003  
SEALED: 02/26/2004  
REVISED: TBD

TEMPORARY SIGNAL 1 - PHASE I - TCP 13  
PAGE 1 OF 2

PLANS PREPARED BY:  
**RUMMEL KLEPPER & KAHL, LLP**  
consulting engineers  
5800 FARINGDON PLACE SUITE 105  
RALEIGH, NORTH CAROLINA 27609-3960  
FOR  
DIVISION OF HIGHWAYS

ELECTRICAL AND PROGRAMMING DETAILS FOR:  
Prepared for the Offices of:  
Traffic Engineering and Safety Services  
NORTH CAROLINA DEPARTMENT OF TRANSPORTATION  
Signal Management Section  
122 N. McDowell St., Raleigh, NC 27603

US 25 (HENDERSONVILLE ROAD)  
AT  
NC 146 (LONG SHOALS ROAD)  
DIVISION 13 BUNCOMBE COUNTY ASHEVILLE  
PLAN DATE: JULY 2003 REVIEWED BY: J O DEATON  
PREPARED BY: M W YALCH REVIEWED BY:  
REVISIONS INIT. DATE

SEAL  
NORTH CAROLINA PROFESSIONAL ENGINEER  
SEAL 07438  
ENGINEER JAMES O. DEATON  
DATE: 2/26/04  
SIGNATURE  
SIG. INVENTORY NO. 13-0284T1