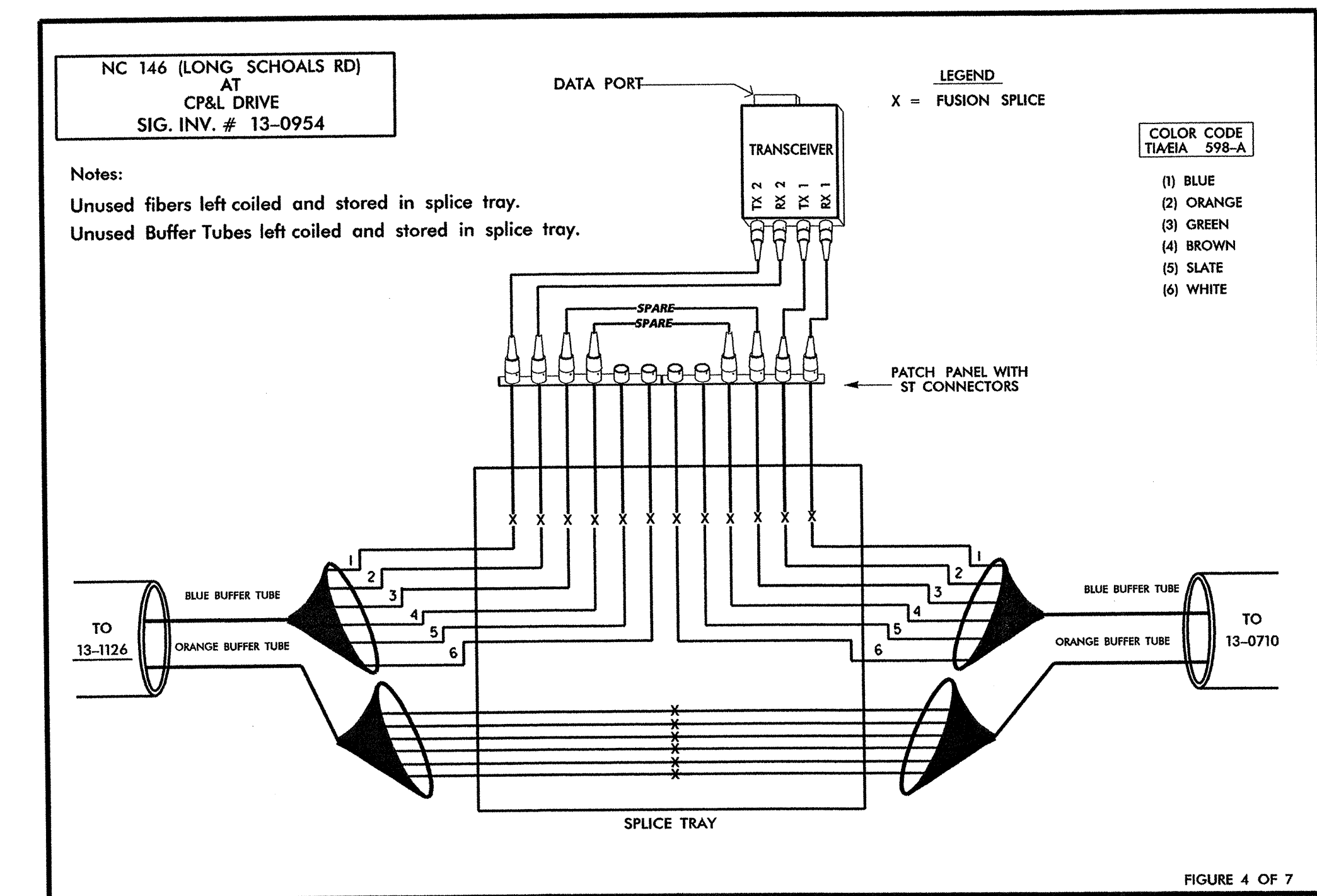
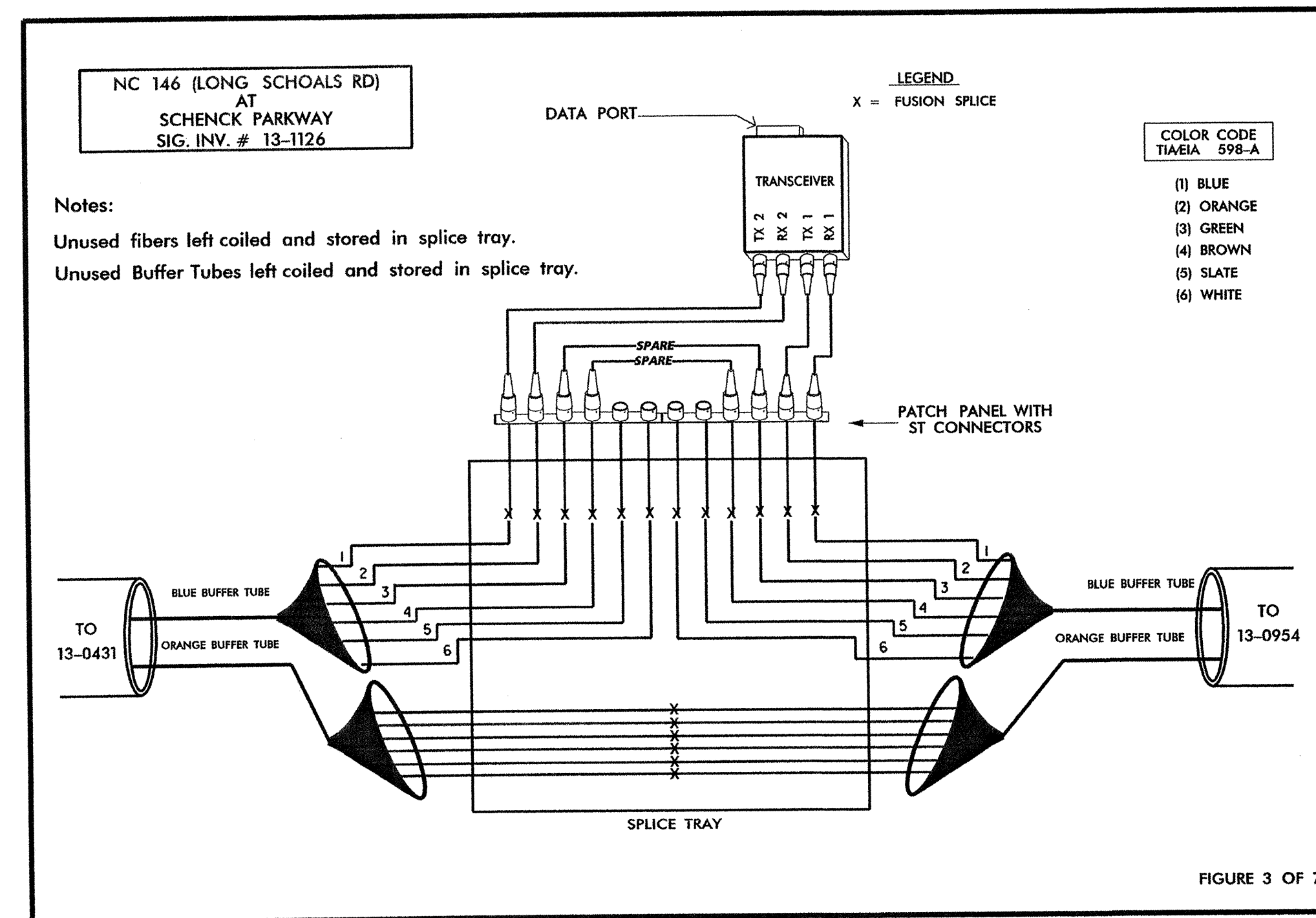
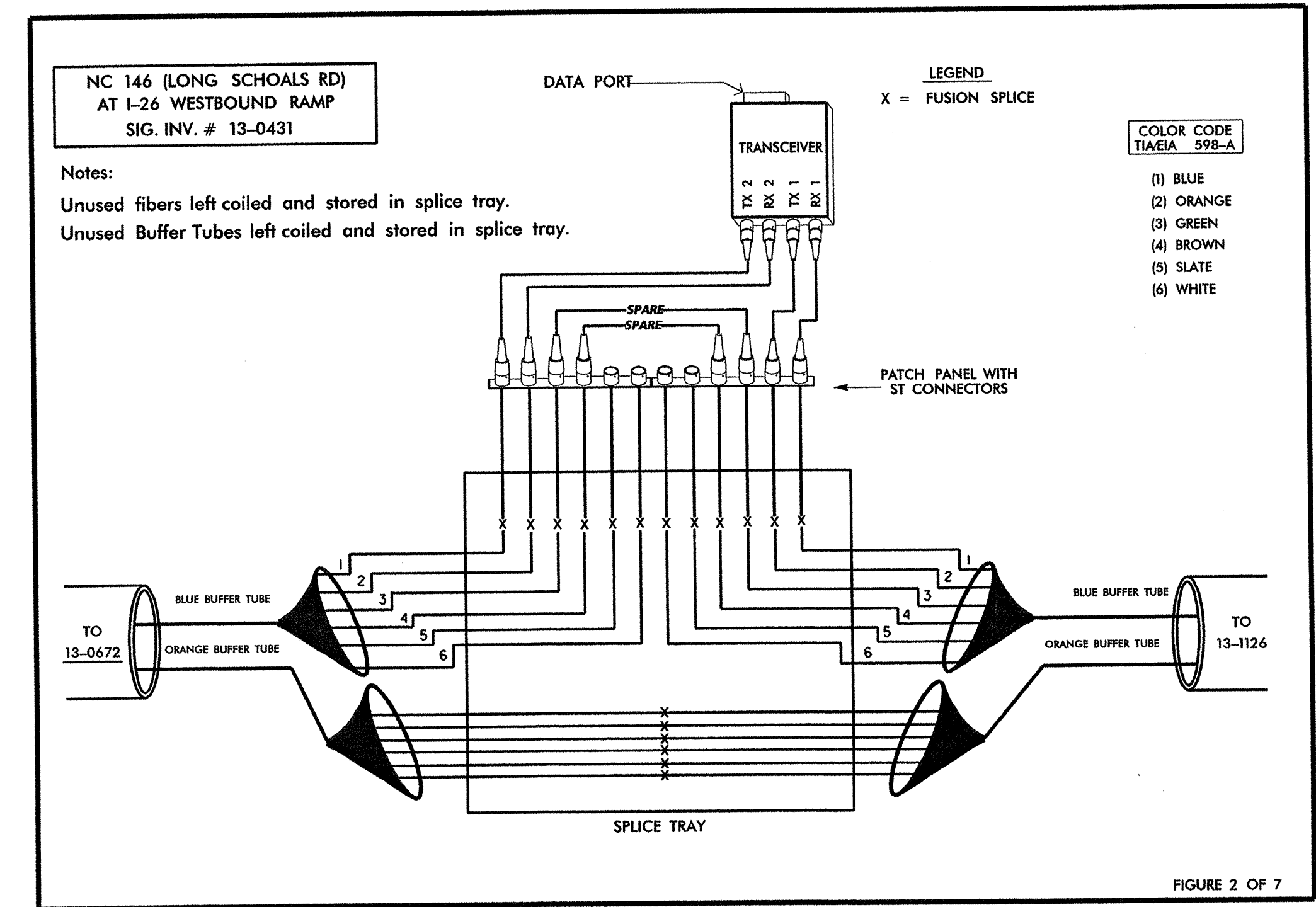
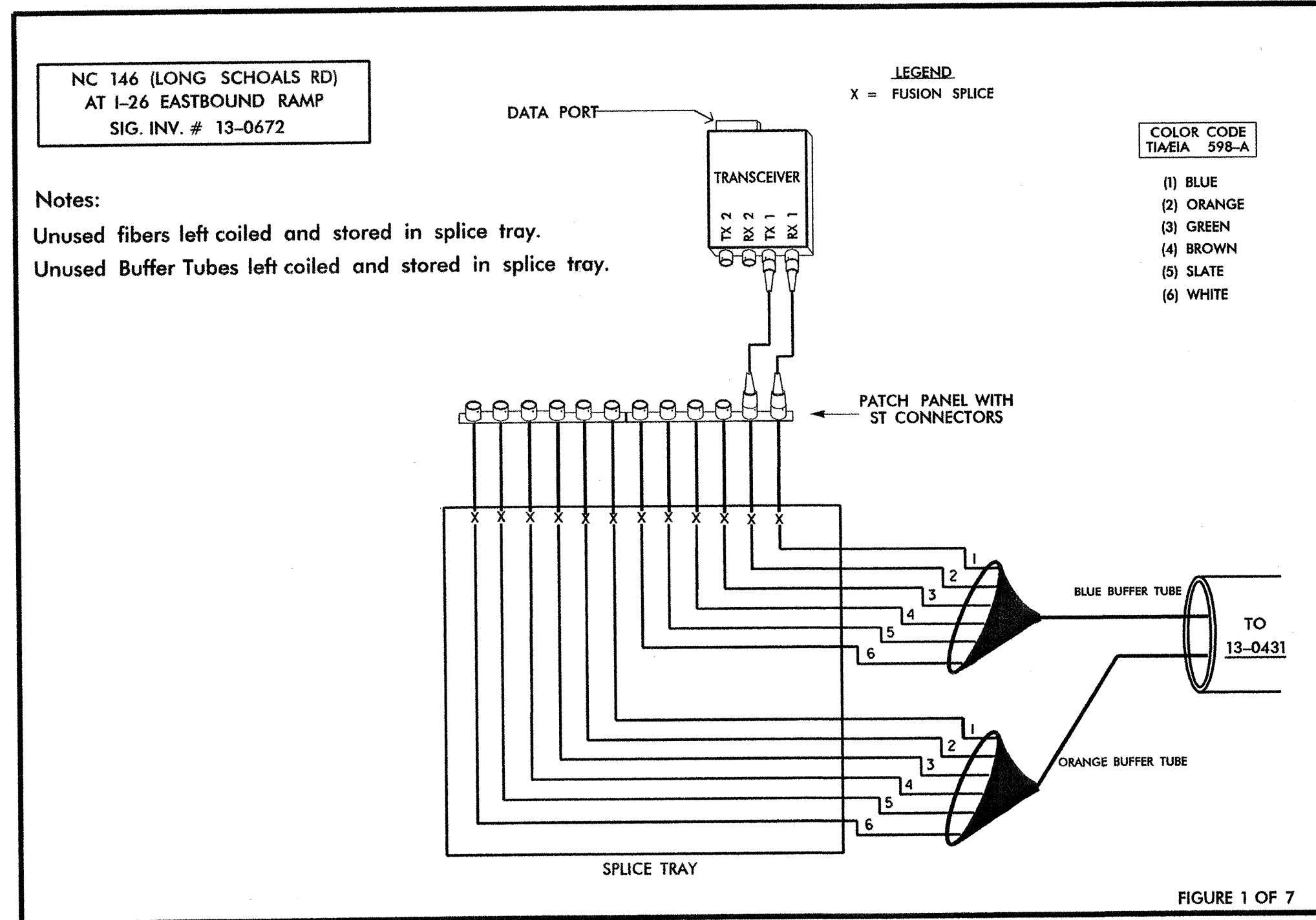


FIBER OPTIC CABLE



PLANS PREPARED BY :
RUMMEL KLEPPER & KAHL, LLP
consulting engineers
5800 FARINGDON PLACE SLT# 105
RALEIGH, NORTH CAROLINA 27609-3960

FOR
DIVISION OF HIGHWAYS

Prepared for the Offices of:
Public Highway and Safety Services Bureau
STATE OF NORTH CAROLINA
DEPARTMENT OF TRANSPORTATION
Signal and Geometric Section

122 N. McDowell St., Raleigh, NC 27603

SPLICE PLAN

DIVISION 13 BUNCOMBE COUNTY ASHEVILLE

PLAN DATE: MARCH 2003 REVIEWED BY: D.W. MORTON

PREPARED BY: J. COLE R&K PROJECT NO. 302-079-SIG1

REVISIONS	INIT.	DATE

SCALE: N/A

SEAL

NORTH CAROLINA PROFESSIONAL ENGINEER SEAL 19798

ENGINEER DONALD W. MORTON

SIGNATURE: *Donald W. Morton* DATE: 11-10-03

ADD FILE NAME: SPLICE1_20031101.SIG