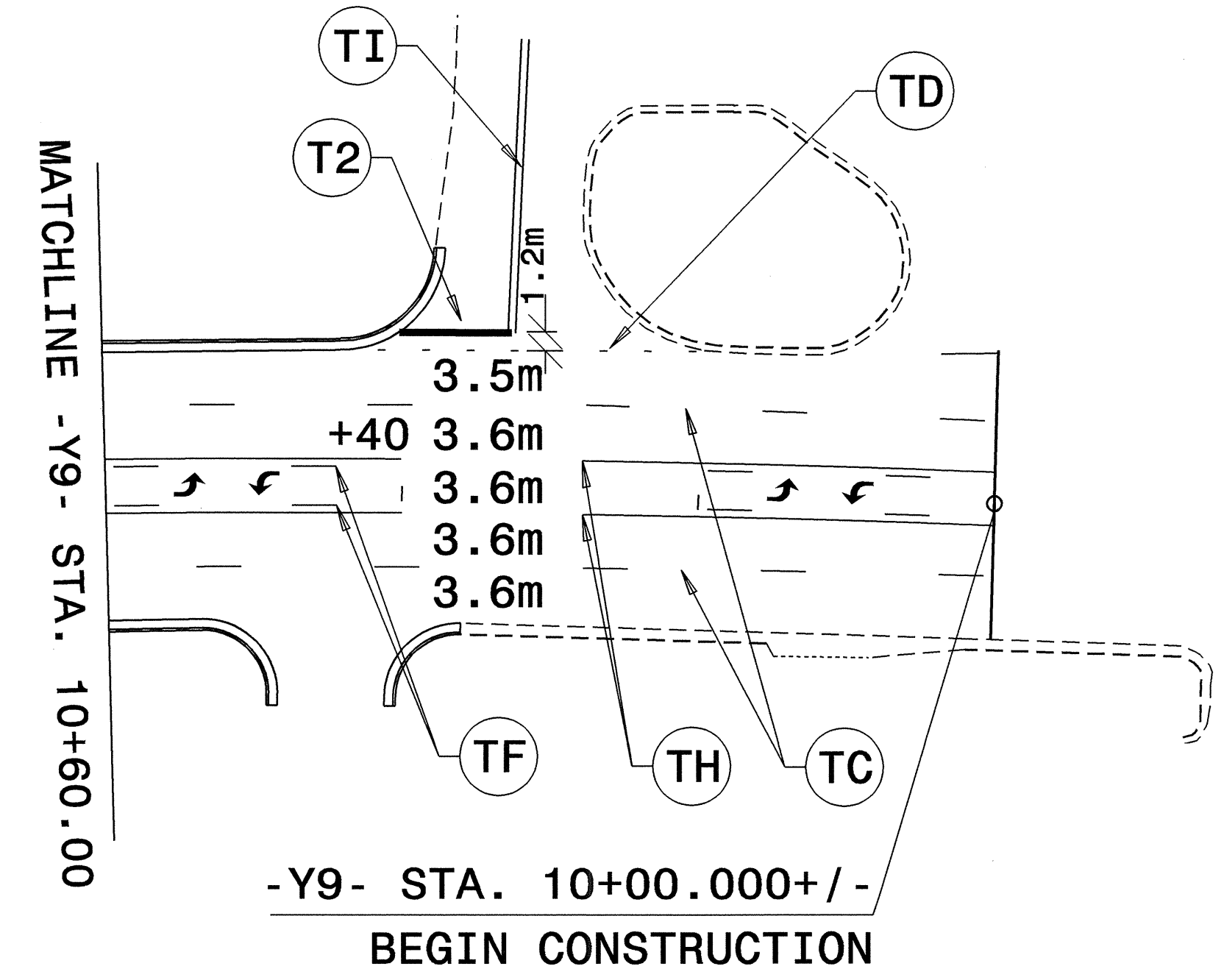


POT Sta. 13+19.999 -Y9-
END CONSTRUCTION

POT Sta. 10+75.000 -Y10-
END CONSTRUCTION



SYMBOL LEGEND

↑	UC
↖	UA
↗	UB
↖↗	UD
↗↖	UE
↔	UG

NOTES:

- 1) PAVEMENT MARKERS SHALL BE PLACED ACCORDING TO RSD 1250.01, 1251.01 AND 1253.01.
- 2) FOR FINAL PAVEMENT MARKING SCHEDULE SEE SHEET PM-1.
- 3) PEDESTRIAN SIDEWALK SHALL BE PLACED ACCORDING TO RSD 1205.07.

APPROVED:	DATE:	FINAL PAVEMENT MARKING	
		DATE: NOV 2003	REVISIONS
DWG. BY: MRM			
DESIGN BY: MRM			
REVIEWED BY: JWG			CARD FILE

08-MAR-2004 15:46
 M:\TCP\R2813C_TCP_Plan_fina.dgn
 mmamriquez AT TET095141