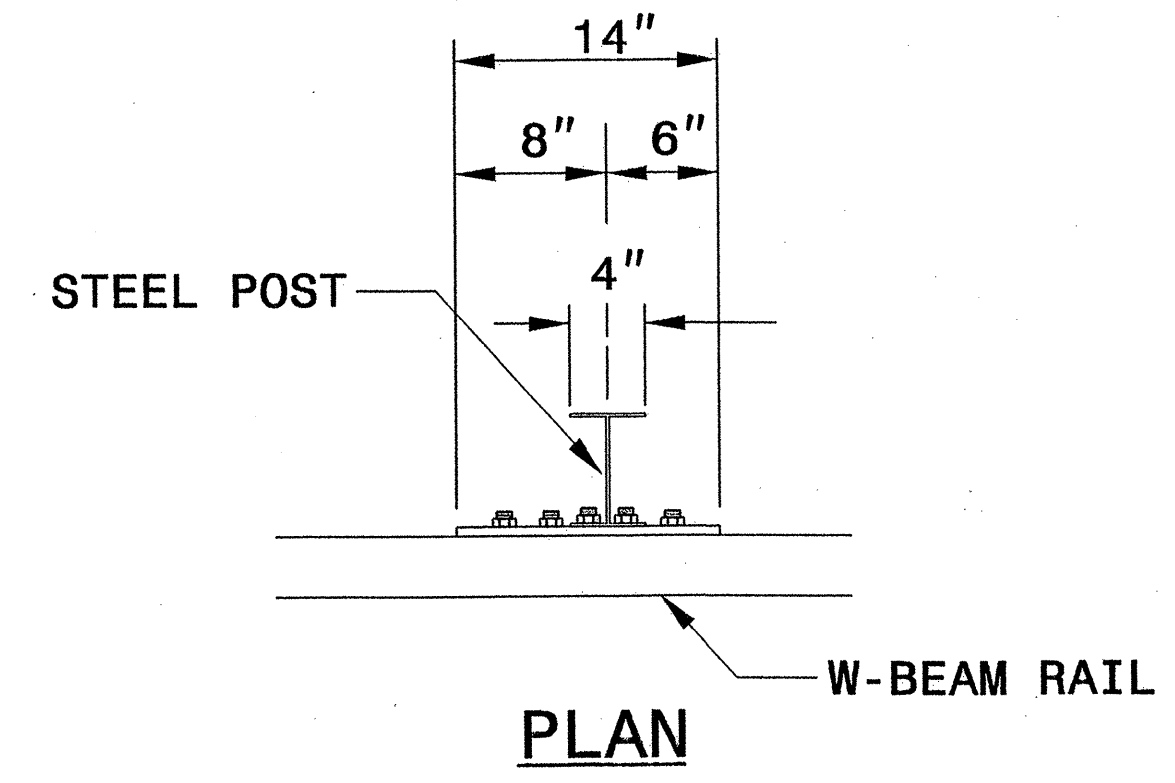
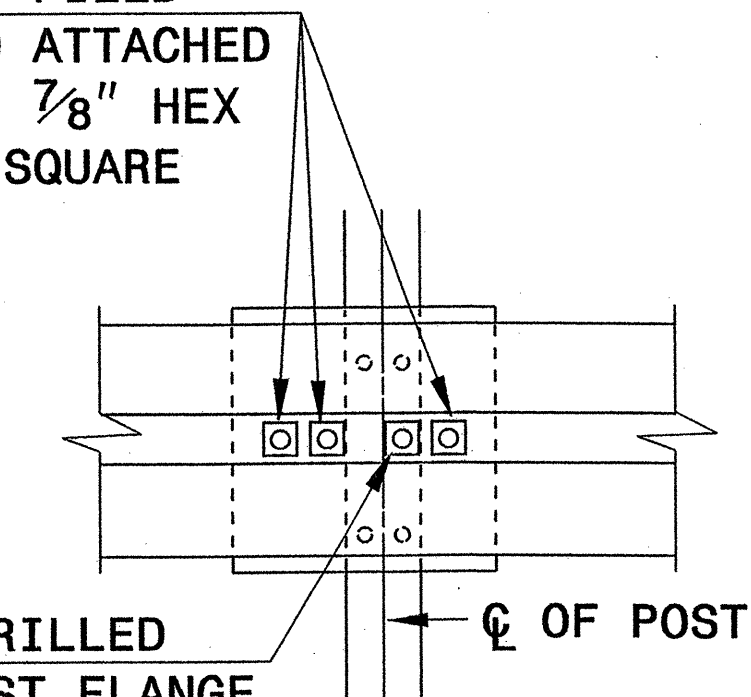


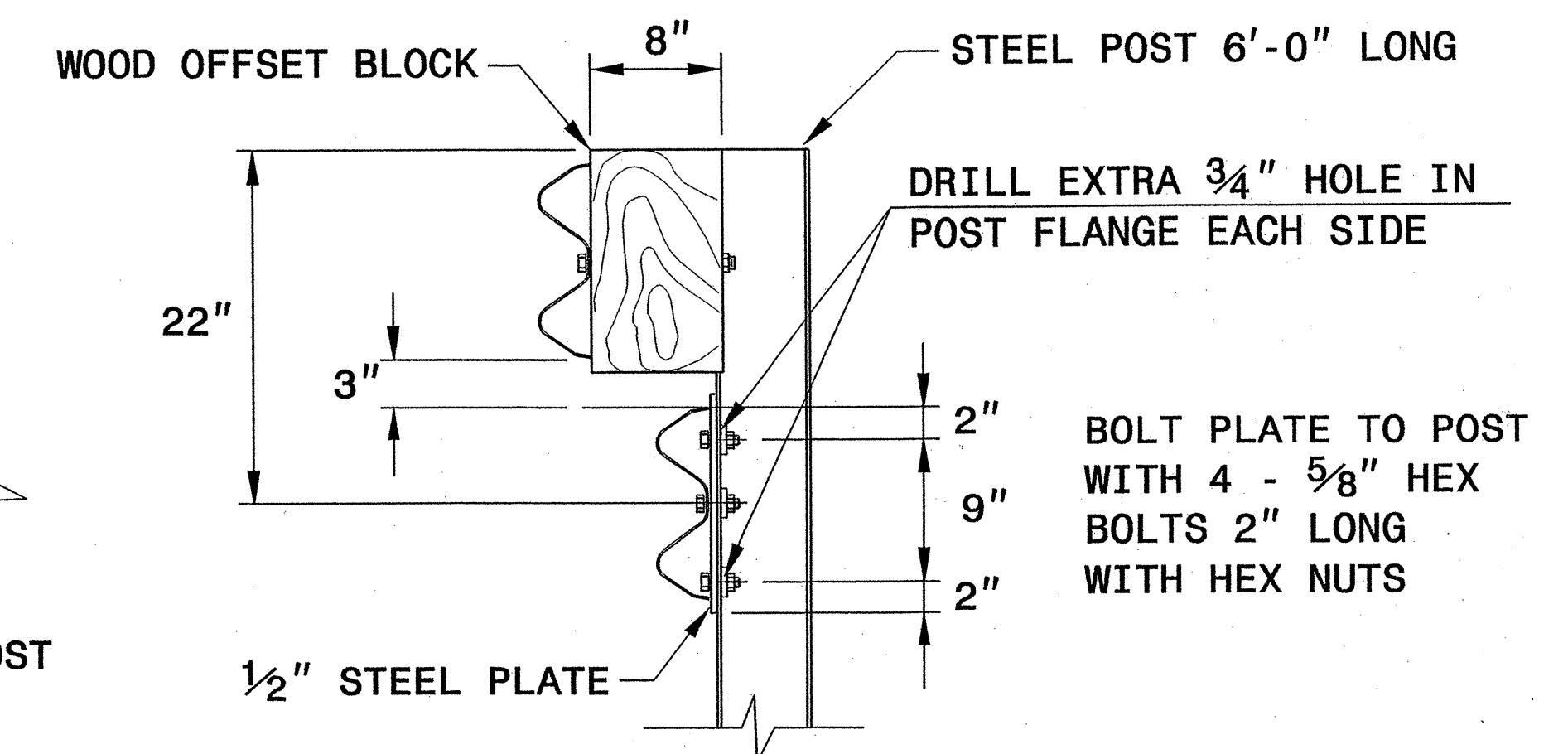
STEEL PLATE - 1/2"
GALVANIZED
WELDED OR BOLTED TO POST



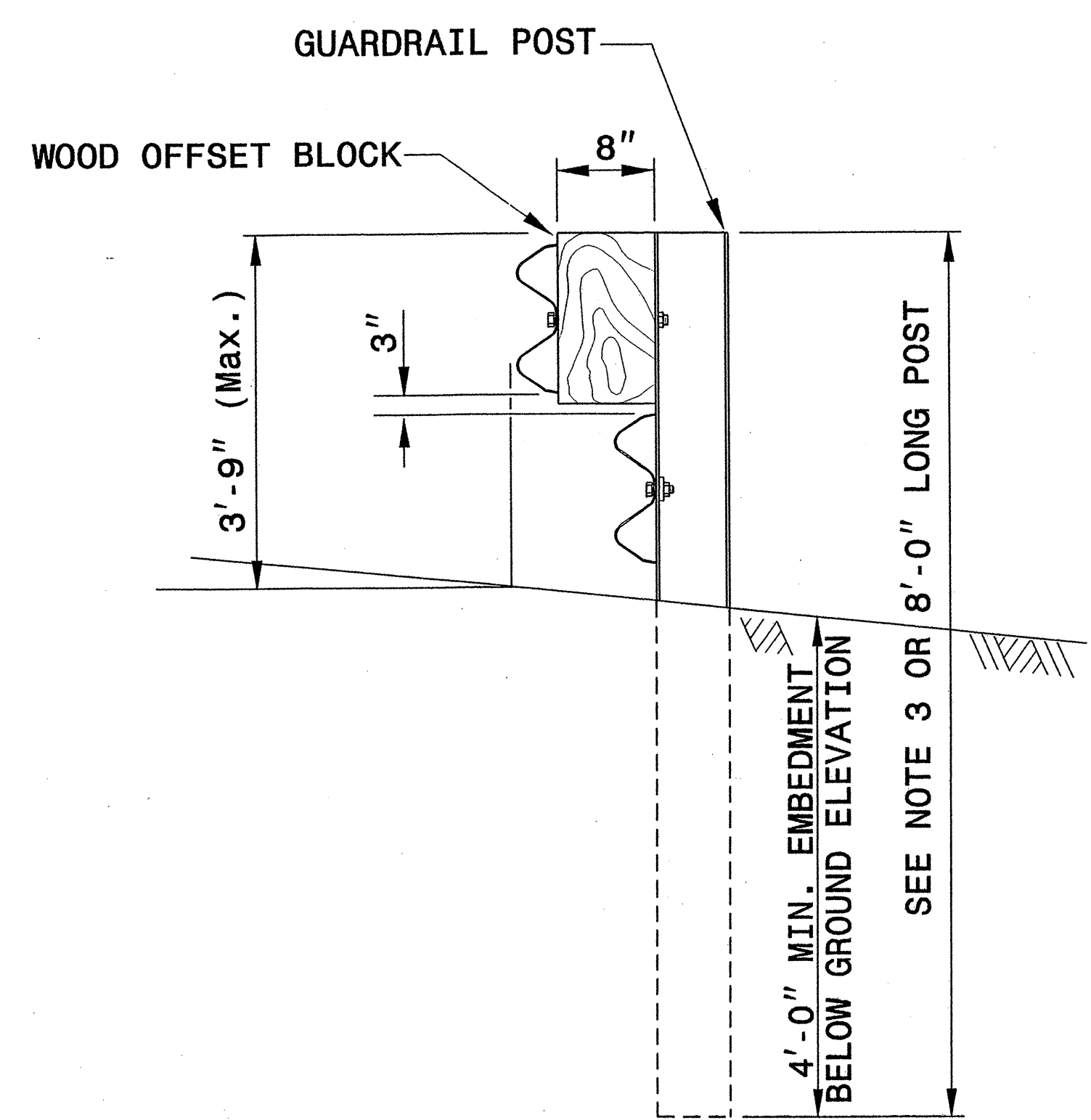
3 - 7/8" HOLES TO BE FIELD DRILLED IN RAIL AND ATTACHED TO STEEL PLATE WITH 7/8" HEX BOLTS 2" LONG WITH SQUARE WASHER



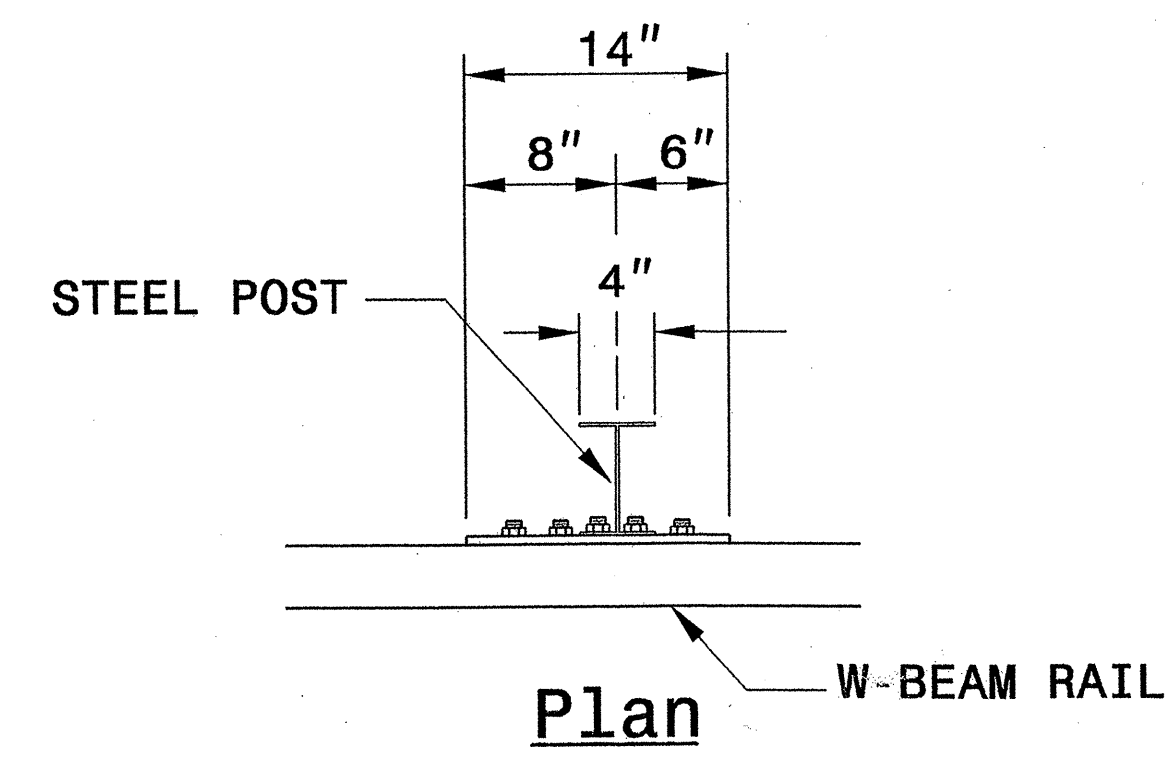
1" HOLES TO BE FIELD DRILLED IN RAIL AND THROUGH POST FLANGE. ATTACH TO STEEL PLATE WITH 7/8" HEX BOLTS 2" LONG WITH SQUARE WASHER



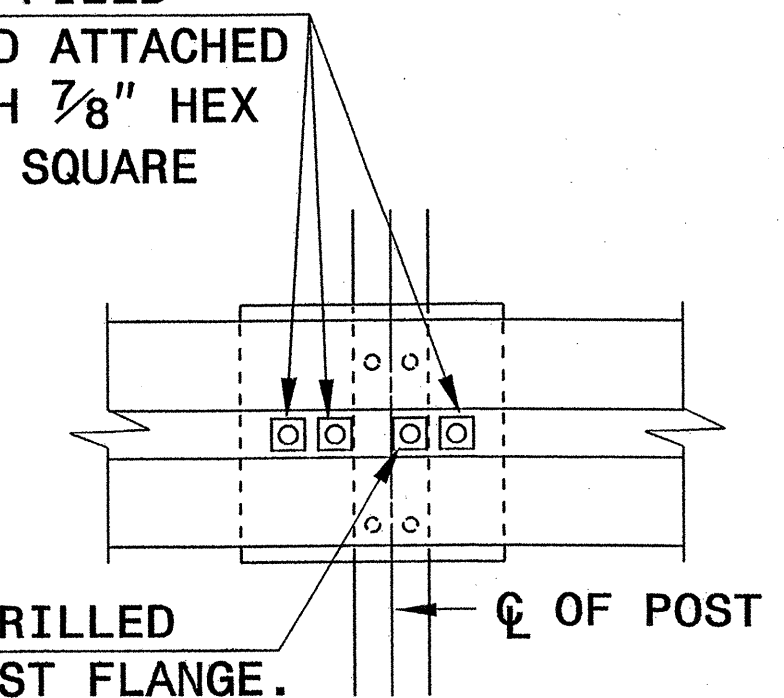
RUBRAIL ANCHOR DETAILS



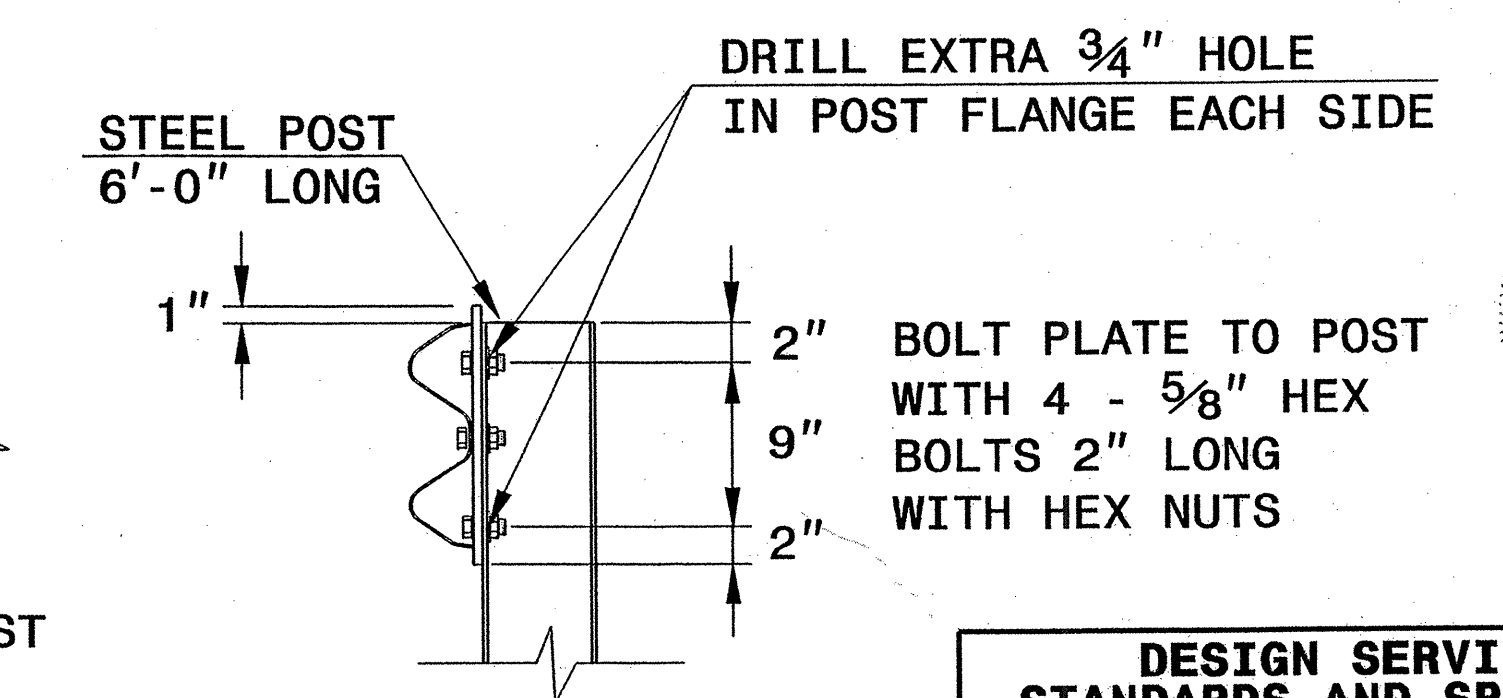
RAIL ATTACHMENT DETAIL



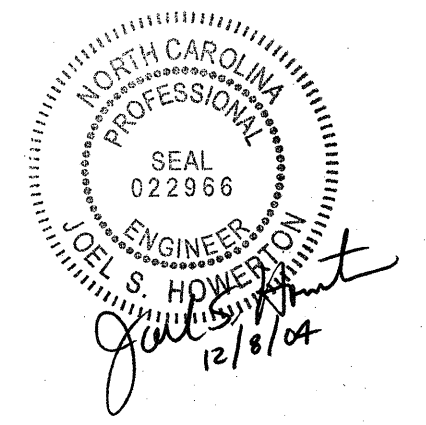
3 - 1" HOLES TO BE FIELD DRILLED IN RAIL AND ATTACHED TO STEEL PLATE WITH 7/8" HEX BOLTS 2" LONG WITH SQUARE WASHER



1" HOLES TO BE FIELD DRILLED IN RAIL AND THROUGH POST FLANGE. ATTACH TO STEEL PLATE WITH 7/8" HEX BOLTS 2" LONG WITH SQUARE WASHER.



POST ANCHOR DETAILS



**DESIGN SERVICES UNIT
STANDARDS AND SPECIAL DESIGN**
Office 919-250-4128 FAX 919-250-4119

DETAIL OF GUARDRAIL BURIED IN CUT (BIC)

ORIGINAL BY: FHWA-G4 SYSTEM DATE: 8-13-98
MODIFIED BY: E.E. WARD DATE: 12-7-01
CHECKED BY: *E.E. Ward* DATE: 12-01
FILE SPEC.: ericward/misc_guardrail/BIC.dgn

5/14/99
19-DEC-2001 08:43
C:\projects\er\er\misc_guardrail\BIC\BIC.dgn
er\er\er