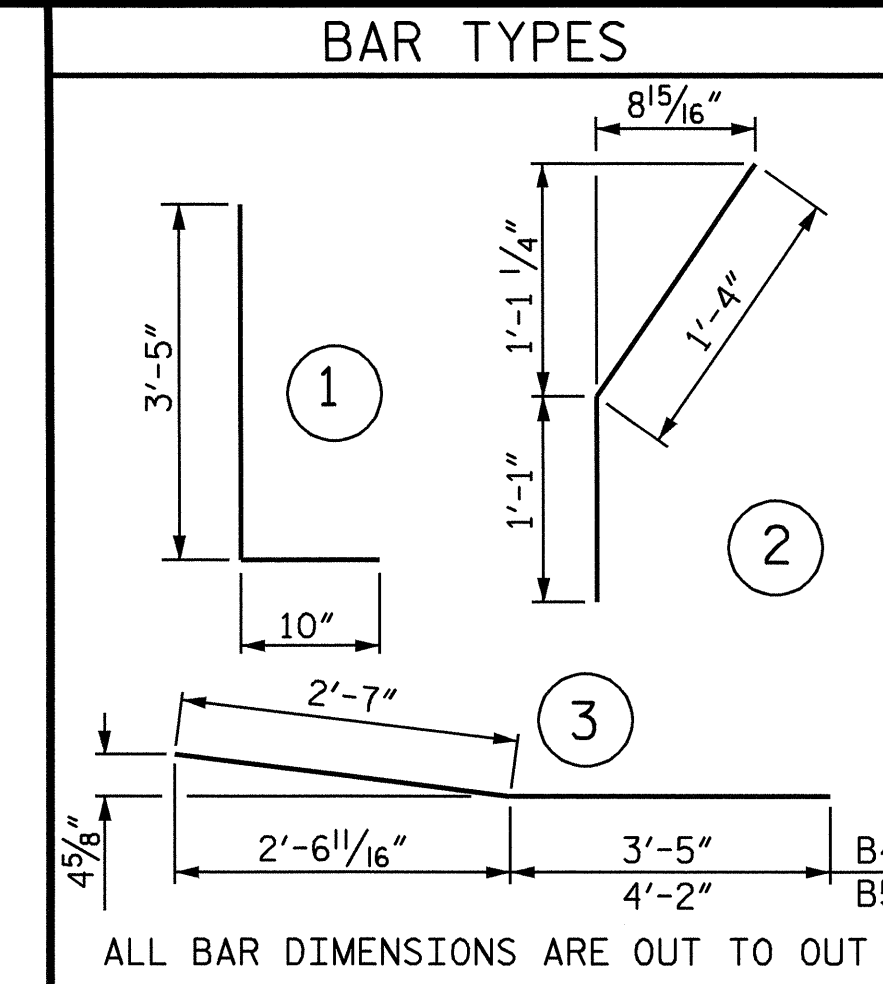


APPROACH SLAB @ END BENT 1

APPROACH SLAB @ END BENT 2

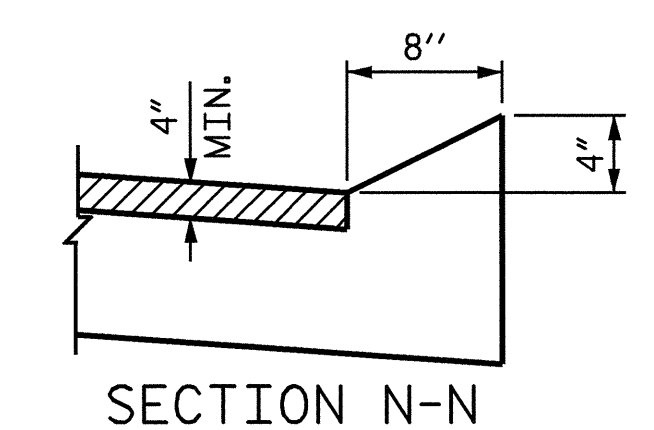


BILL OF MATERIAL					
APPROACH SLAB-END BENT 1					
BAR	NO.	SIZE	TYPE	LENGTH	WEIGHT
*A1	26	#5	STR	37'-4"	1012
*A2	23	#5	STR	37'-8"	904
A3	100	#4	STR	19'-9"	1319
*B1	65	#6	STR	24'-0"	2343
B2	65	#8	STR	24'-7"	4266
*B3	14	#5	STR	11'-5"	167
*B4	1	#5	3	6'-0"	6
*B5	1	#5	3	6'-9"	7
*S1	48	#5	STR	3'-5"	171
*S2	48	#5	1	4'-3"	213
*S3	20	#5	2	2'-5"	50
REINFORCING STEEL				LBS.	5585
*EPOXY COATED REINFORCING STEEL				LBS.	4873

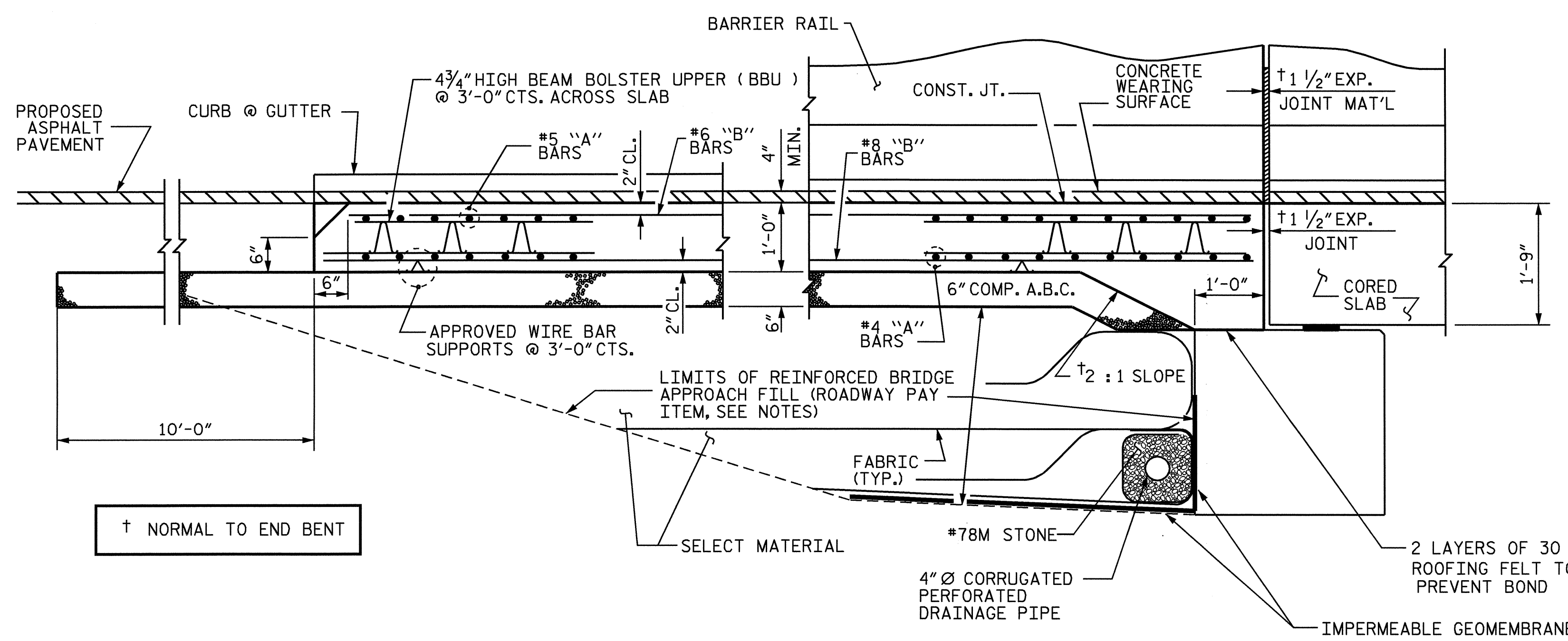
CLASS AA CONCRETE BREAKDOWN			
POUR 1 SLAB AND CURB	C. Y.	32.4	
POUR 2 RAIL	C. Y.	2.5	
CLASS AA CONCRETE	C. Y.	34.9	

APPROACH SLAB-END BENT 2					
BAR	NO.	SIZE	TYPE	LENGTH	WEIGHT
*A2	23	#5	STR	37'-8"	904
A3	100	#4	STR	19'-9"	1319
*A4	26	#5	STR	37'-6"	1017
*B1	65	#6	STR	24'-0"	2343
B2	65	#8	STR	24'-7"	4266
*B3	7	#5	STR	11'-5"	83
*B5	1	#5	3	6'-9"	7
*B6	16	#5	3	14'-5"	241
*S1	49	#5	STR	3'-5"	175
*S2	49	#5	1	4'-3"	217
*S3	35	#5	2	2'-5"	88
REINFORCING STEEL				LBS.	5585
*EPOXY COATED REINFORCING STEEL				LBS.	5075

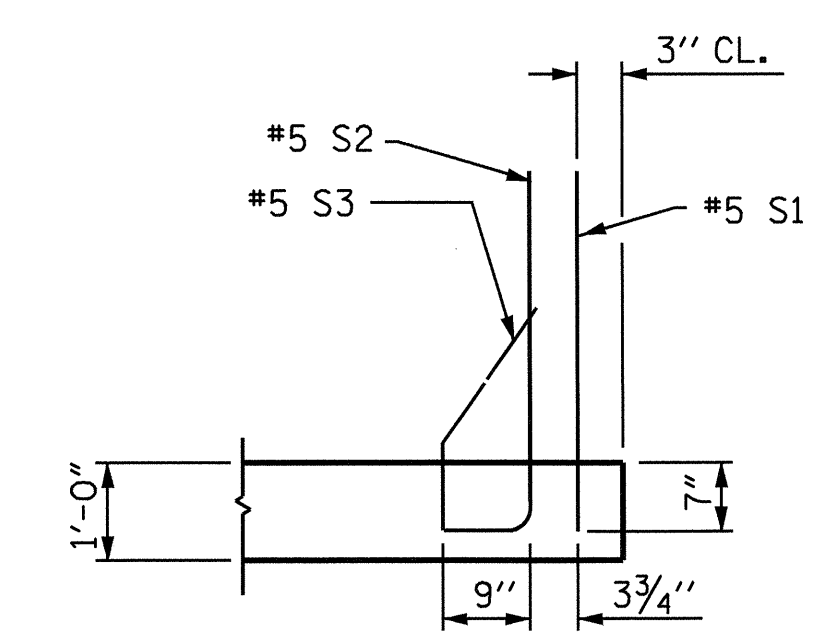
CLASS AA CONCRETE BREAKDOWN			
POUR 1 SLAB AND CURB	C. Y.	32.4	
POUR 2 RAIL	C. Y.	4.3	
CLASS AA CONCRETE	C. Y.	36.7	



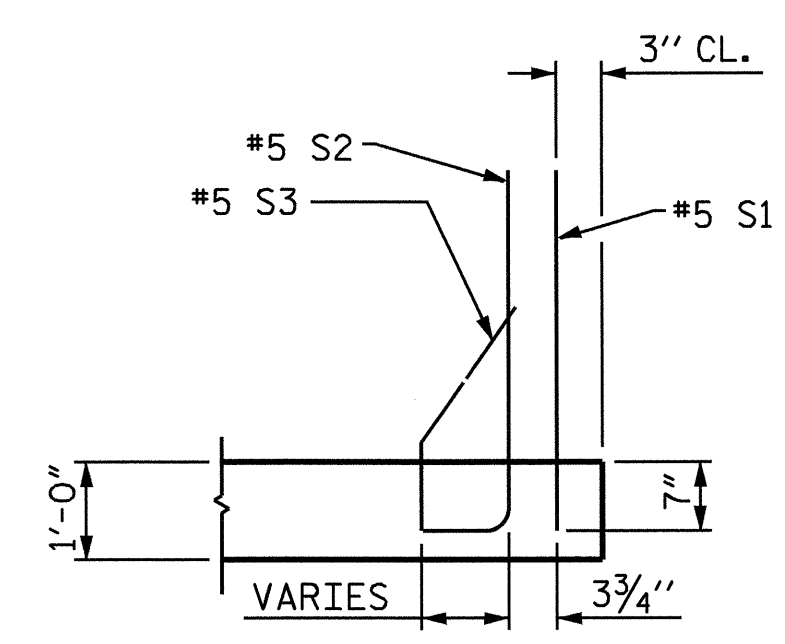
SECTION N-N



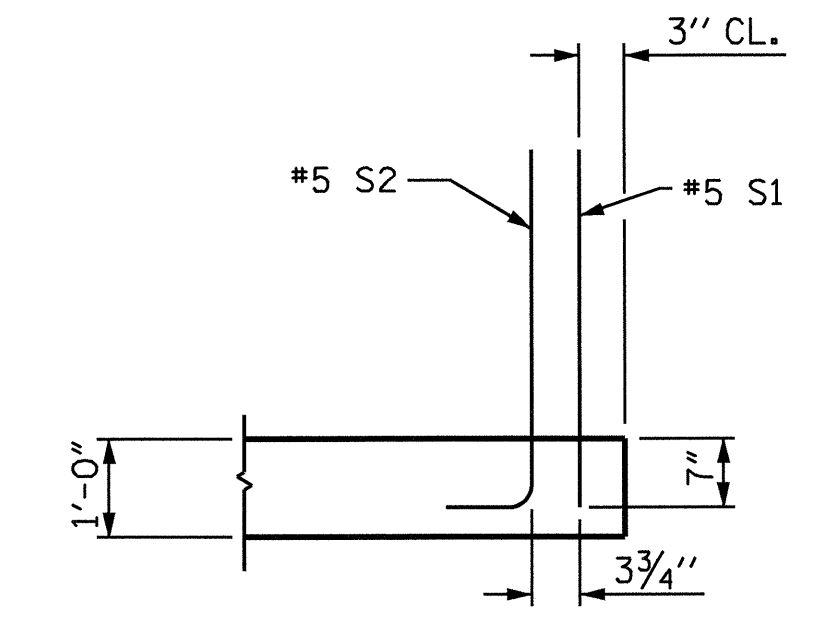
SECTION THRU SLAB



SECTION K-K



SECTION L-L



SECTION M-M

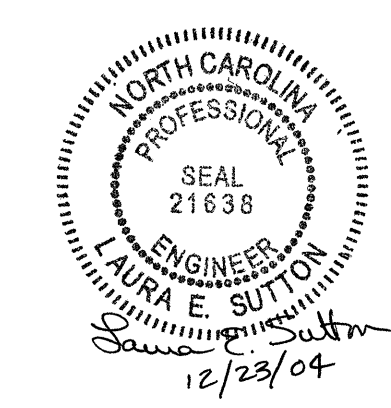
BAR SPLICE CHART		
BAR	SIZE	LENGTH
A3	#4	1'-9"

PROJECT NO. B-3808
 AVERY COUNTY
 STATION: 17+13.50 -L-

SHEET 1 OF 3

STATE OF NORTH CAROLINA
 DEPARTMENT OF TRANSPORTATION
 RALEIGH
 STANDARD
 BRIDGE APPROACH SLAB
 FOR PRESTRESSED CONCRETE
 CORED SLAB WITH
 BARRIER RAIL

REVISIONS						SHEET NO.
NO.	BY:	DATE:	NO.	BY:	DATE:	S-15
1			3			TOTAL SHEETS
2			4			16



ASSEMBLED BY: A.S. CALLAWAY DATE: 10/20/04
 CHECKED BY: L.E. SUTTON DATE: 11/4/04
 DRAWN BY: LES 8/01 REV. 10/17/00 RWW/LES
 CHECKED BY: RDR 8/01 REV. 7/10/01 LES/RDR
 REV. 5/7/03R RWW/JTE