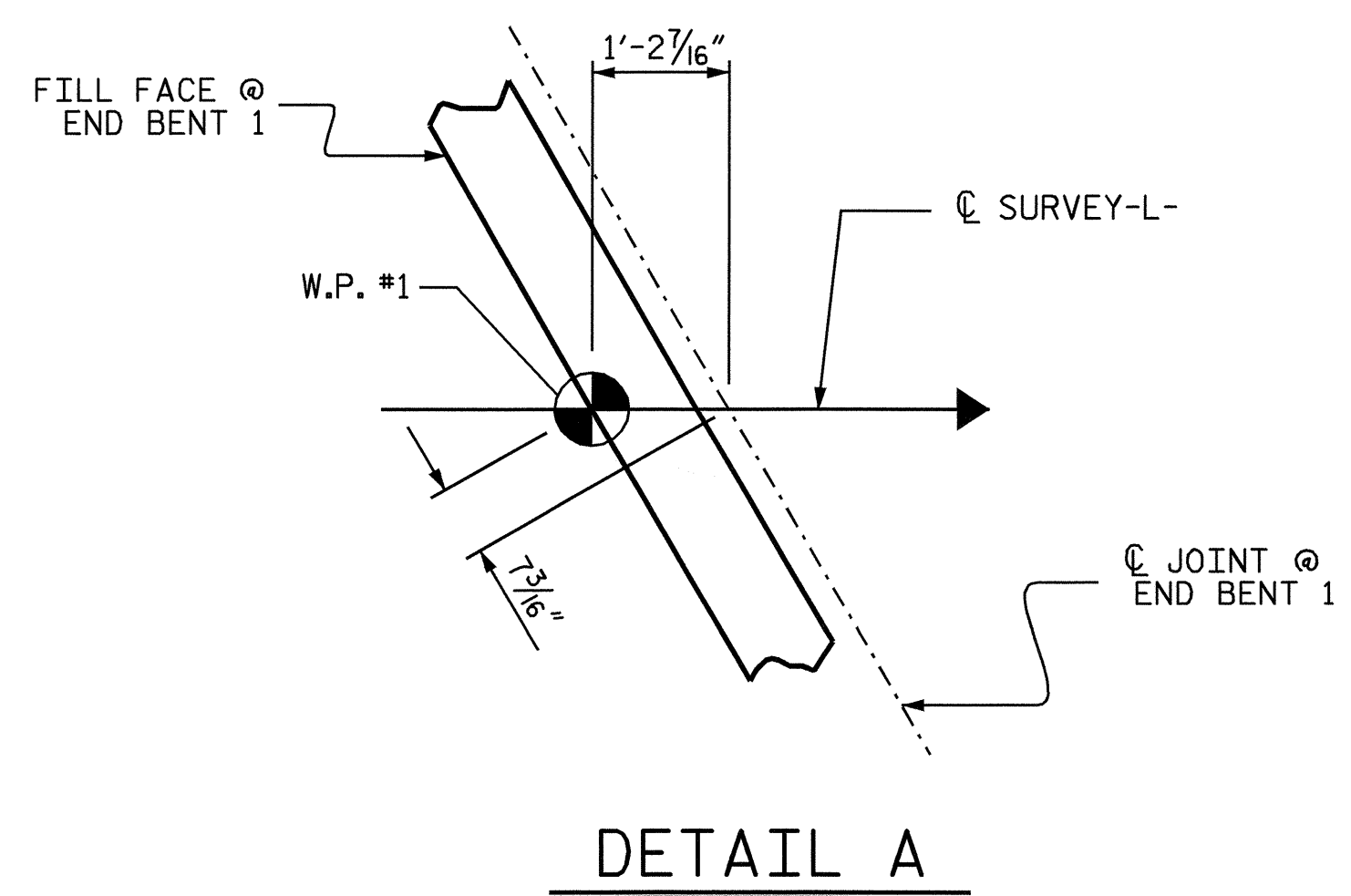
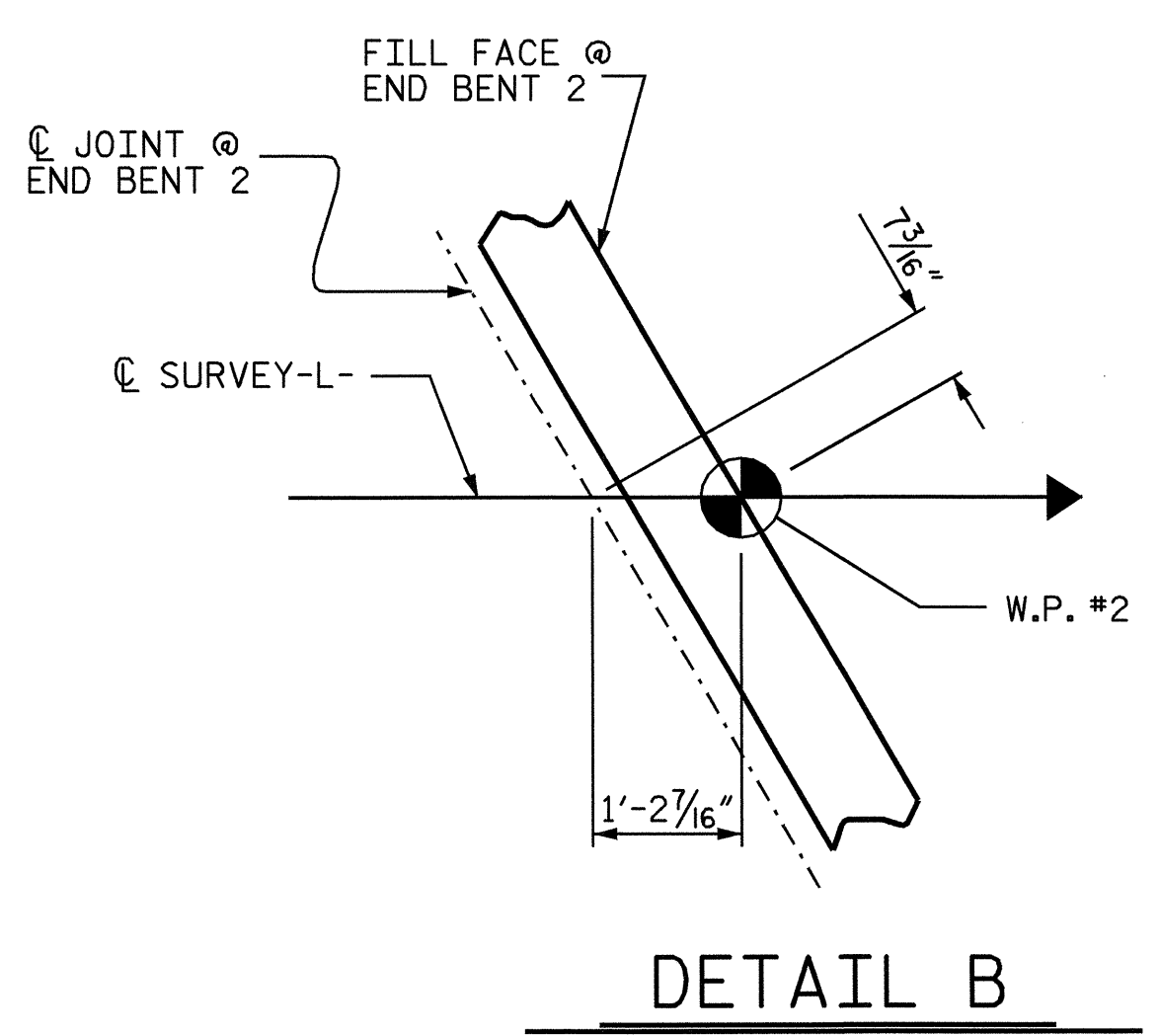


PLAN OF SPAN A



DETAIL A



DETAIL B

PROJECT NO. B-3300  
 ASHE COUNTY  
 STATION: 17+36.00 -L-



STATE OF NORTH CAROLINA  
 DEPARTMENT OF TRANSPORTATION  
 RALEIGH  
 SUPERSTRUCTURE  
 PLAN OF SPAN

REVISIONS						SHEET NO.
NO.	BY:	DATE:	NO.	BY:	DATE:	S-5
1			3			TOTAL SHEETS
2			4			23

DRAWN BY : V.X.N./L.L. MURPHY DATE : 10-04  
 CHECKED BY : V.X. NGUYEN DATE : 12-04

21-DEC-2004 08:47  
 W:\edquady\b3300\lmurphy\Microstation\B3300.sd.S\*\_01.dgn  
 wjharris