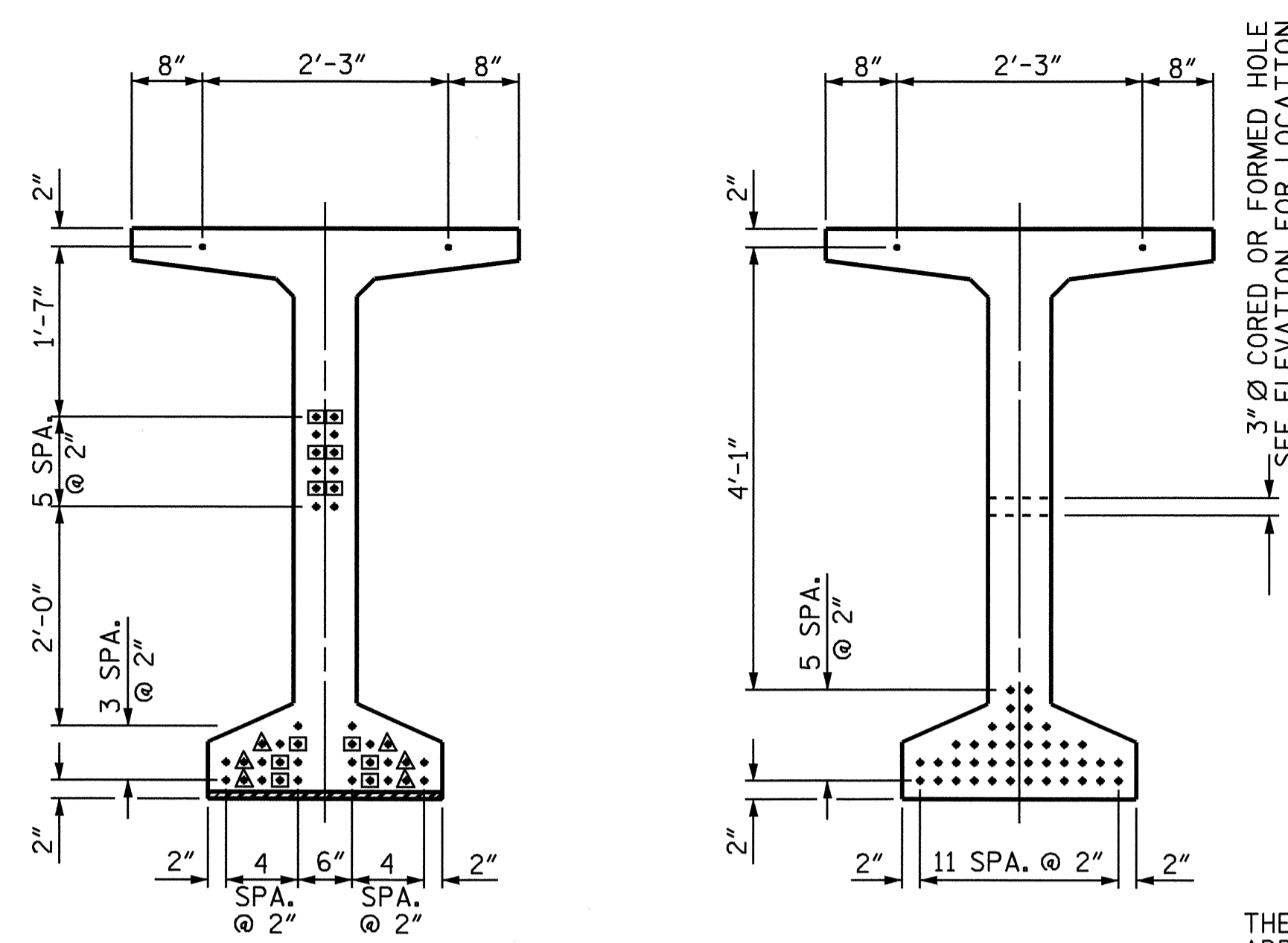


SECTION A-A



AT END OF GIRDER
AT C OF GIRDER
1/2" Ø LOW RELAXATION STRAND LAYOUT

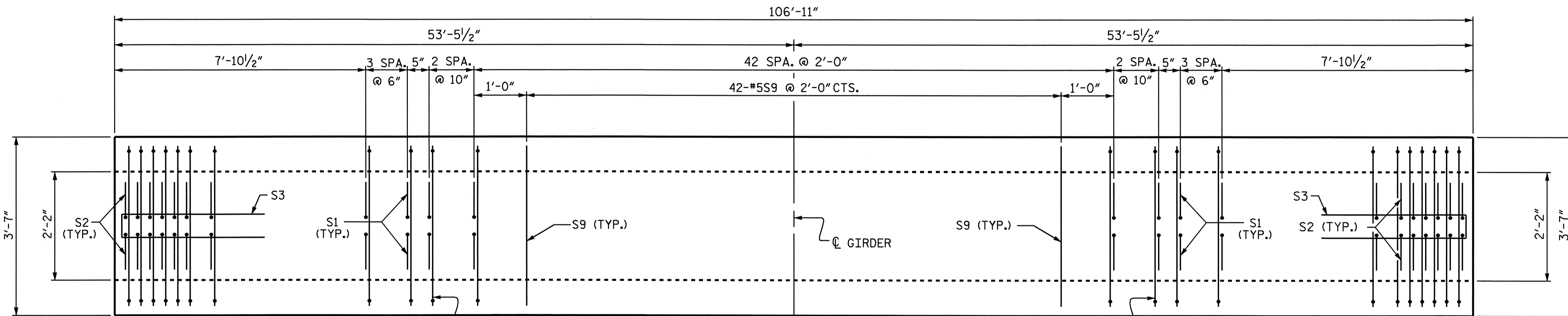
- DEBONDING LEGEND**
- FULLY BONDED STRANDS
 - ◻ STRANDS DEBONDED FOR 2'-0" FROM END OF GIRDER
 - ◻ STRANDS DEBONDED FOR 4'-0" FROM END OF GIRDER

THE CONTRACTOR HAS THE OPTION TO PROVIDE, AT NO ADDITIONAL COST TO THE DEPARTMENT, 2 ADDITIONAL STRANDS AT THE TOP OF THE GIRDER TO FACILITATE TYING OF THE REINFORCING STEEL. THESE STRANDS SHALL BE PULLED TO A LOAD OF 4500 LBS.

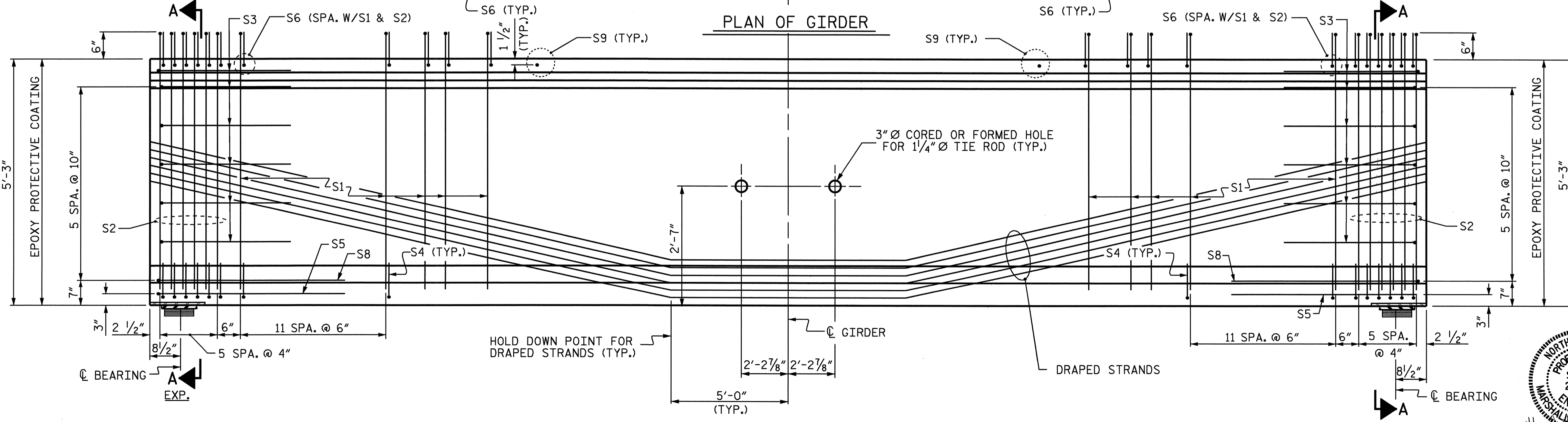
1/2" Ø L. R. GRADE 270 STRANDS		
AREA (SQUARE INCHES)	ULTIMATE STRENGTH (LBS. PER STRAND)	APPLIED PRESTRESS (LBS. PER STRAND)
0.153	41,300	30,980

REINFORCING STEEL FOR ONE GDR					
BAR	NUMBER	SIZE	TYPE	LENGTH	WEIGHT
S1	154	#4	1	6'-1"	626
S2	24	#5	1	6'-1"	152
S3	12	#4	2	8'-5"	67
S4	72	#4	3	3'-0"	144
S5	2	#5	2	9'-10"	21
S6	178	#5	1	3'-9"	696
S8	2	#5	2	9'-0"	19
S9	42	#5	STR	3'-3"	142

BAR TYPES	
ALL BAR DIMENSIONS ARE OUT-TO-OUT	
①	②
③	



PLAN OF GIRDER



ELEVATION OF GIRDER

THERE IS ONLY ONE 3" Ø CORED OR FORMED HOLE FOR 1/4" Ø TIE ROD IN EXTERIOR GIRDERS

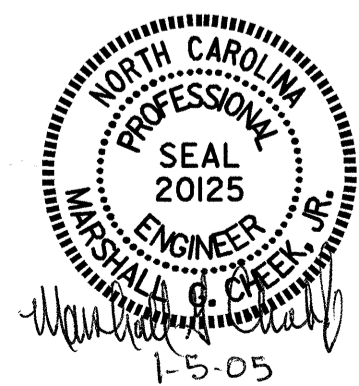
QUANTITIES FOR ONE GIRDER			
	REINFORCING STEEL	7,000 PSI CONCRETE	1/2" Ø L.R. STRANDS
	LB.	C.Y.	No.
	1867	21.2	42

GIRDERS REQUIRED		
NUMBER	LENGTH	TOTAL LENGTH
6	106.92	641.50

PROJECT NO. B-3300
ASHE COUNTY
 STATION: 17+36.00-L-

SHEET 1 OF 3

STATE OF NORTH CAROLINA
 DEPARTMENT OF TRANSPORTATION
 RALEIGH
 STANDARD
 63" PRESTRESSED CONCRETE
 MODIFIED BULB TEE



ASSEMBLED BY : L.L. MURPHY	DATE : 10-04
CHECKED BY : V.X. NGUYEN	DATE : 12-04
DRAWN BY : EEM 2/6/97	REV. 7/17/98 RWW/LES
CHECKED BY : VAP 2/6/97	REV. 8/16/99 RWW/LES
	REV. 10/17/00 RWW/LES

REVISIONS						SHEET NO. S-7
NO.	BY:	DATE:	NO.	BY:	DATE:	
1			3			TOTAL SHEETS 23
2			4			