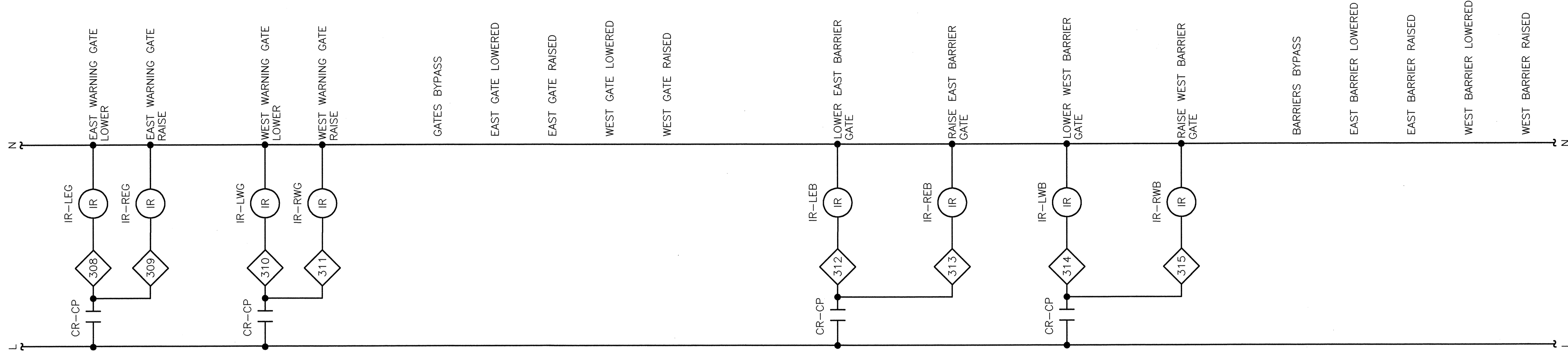
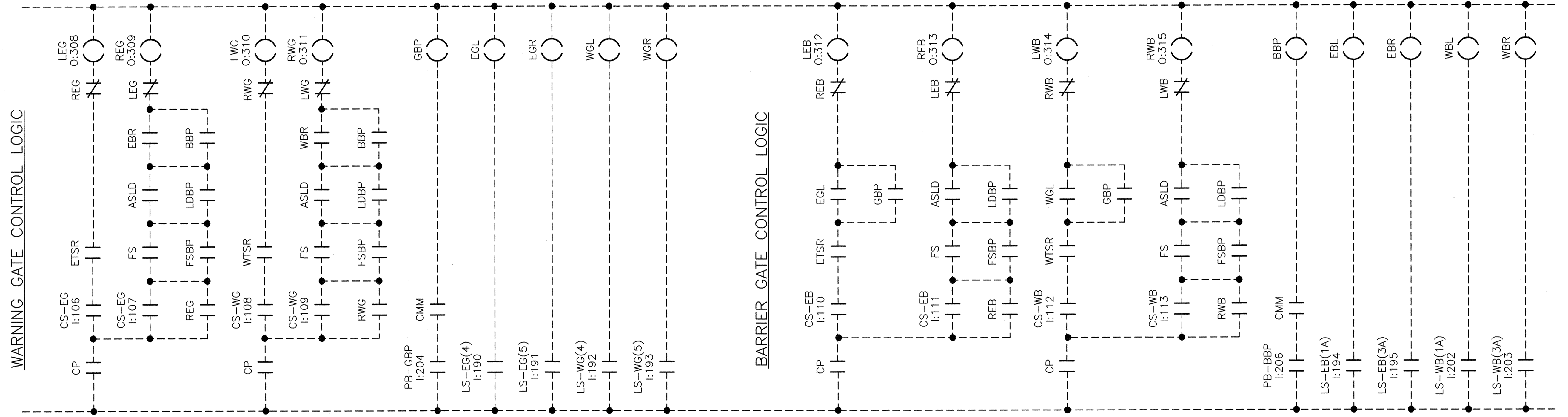


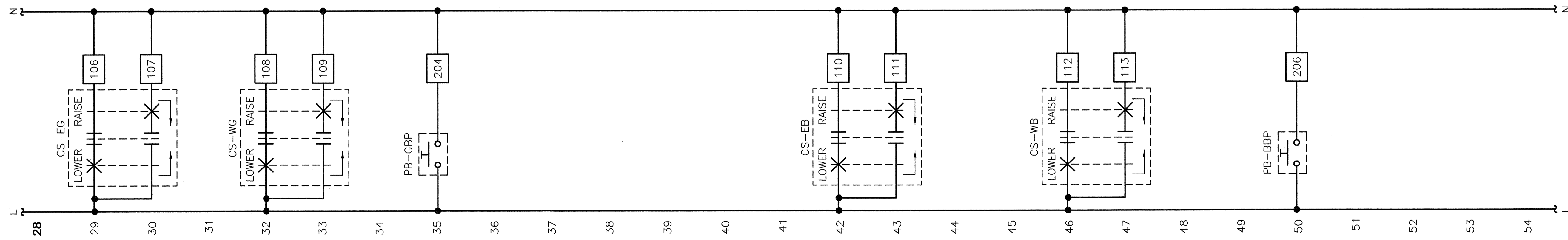
HARDWIRED OUTPUTS



INTERNAL PLC LOGIC



HARDWIRED INPUTS



STATE OF NORTH CAROLINA
 DEPARTMENT OF TRANSPORTATION
 RALEIGH

CAPE FEAR RIVER CROSSING
 WILMINGTON, NORTH CAROLINA

CONTROL CIRCUIT - 2

DESIGNED	G.L. FASICK	DETAILED	R.L. REED	SCALE	NONE
CHECKED	N.E. ALGER	CHECKED	G.L. FASICK	DATE	APRIL, 2005
				DRAWN BY	R.L. REED
				DRAWING NO.	16 OF 53