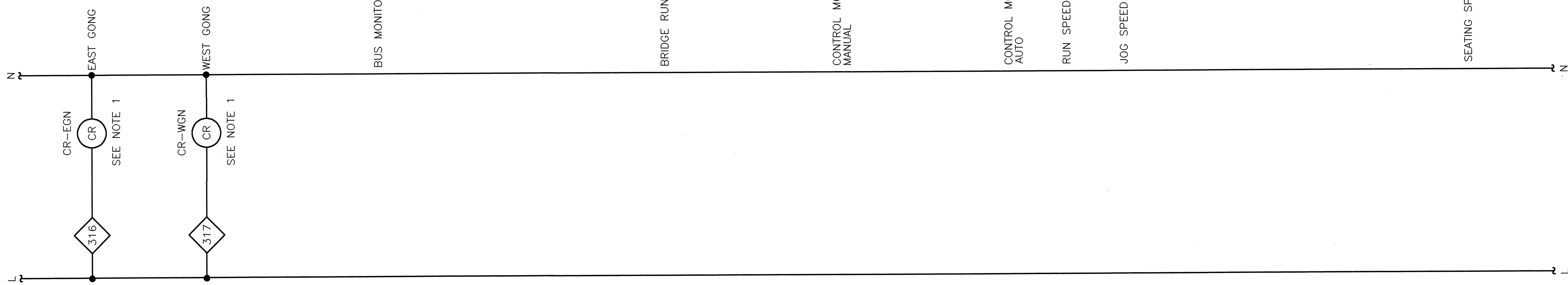
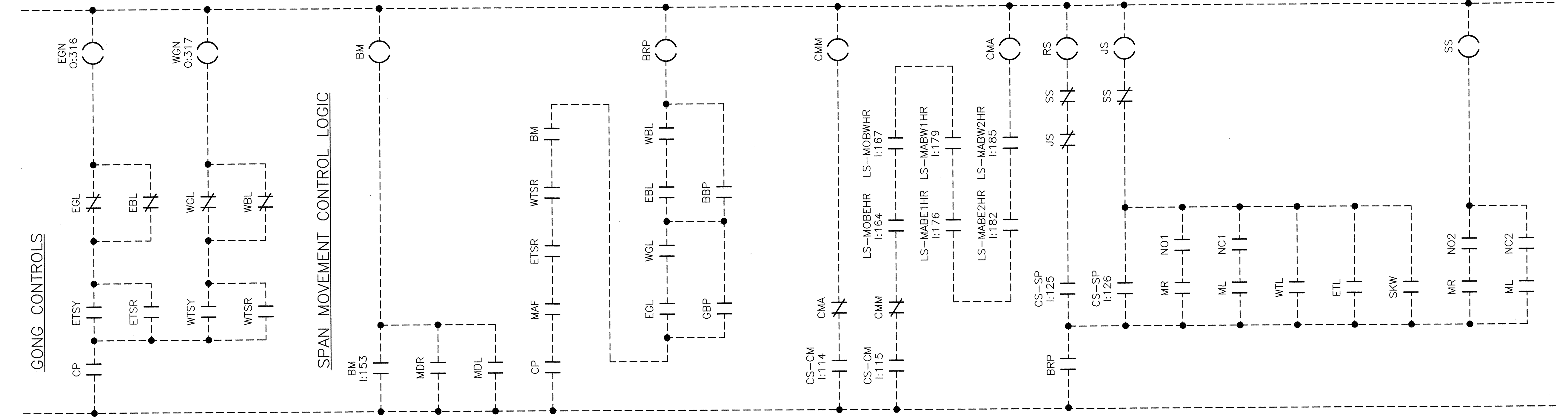


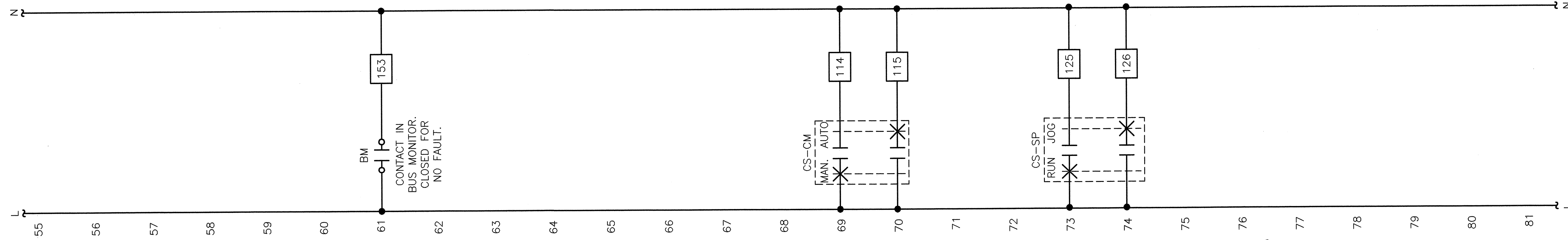
HARDWIRED OUTPUTS



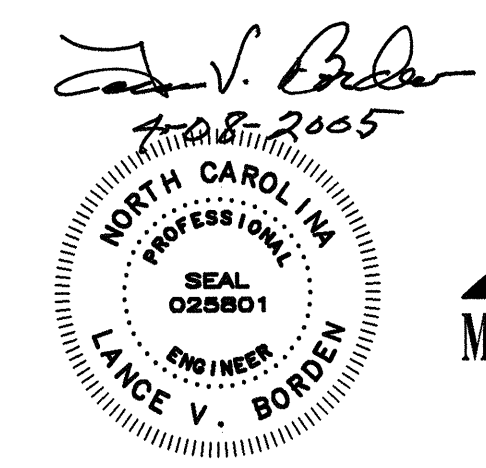
INTERNAL PLC LOGIC



HARDWIRED INPUTS



NOTES:  
1. INTERFACE WITH EXISTING TRAFFIC WARNING GONGS.



STATE OF NORTH CAROLINA			
DEPARTMENT OF TRANSPORTATION			
RALEIGH			
CAPE FEAR RIVER CROSSING			
WILMINGTON, NORTH CAROLINA			
CONTROL CIRCUIT - 3			
DESIGNED	G.L. FASICK	DATE	APRIL, 2005
CHECKED	N.E. ALGER	DRAWING NO.	17 OF 53
DRAWN BY	R.L. REED	SCALE	NONE
DETAILED	R.L. REED	CHECKED	G.L. FASICK