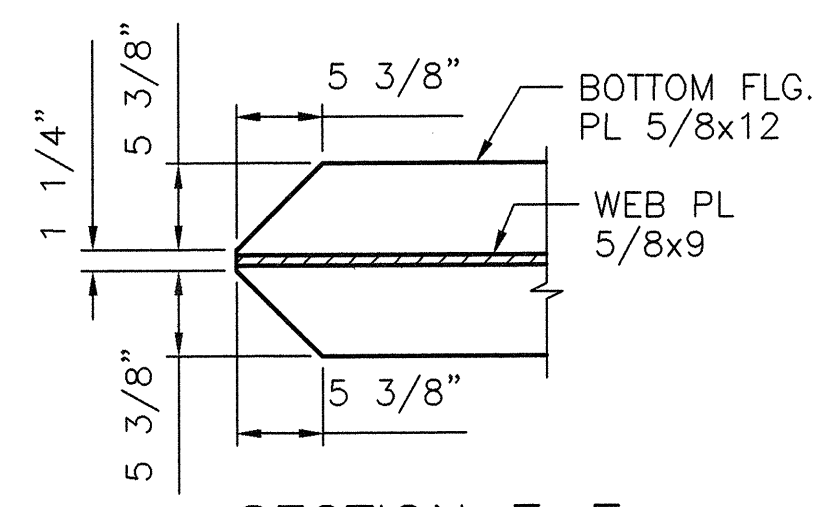
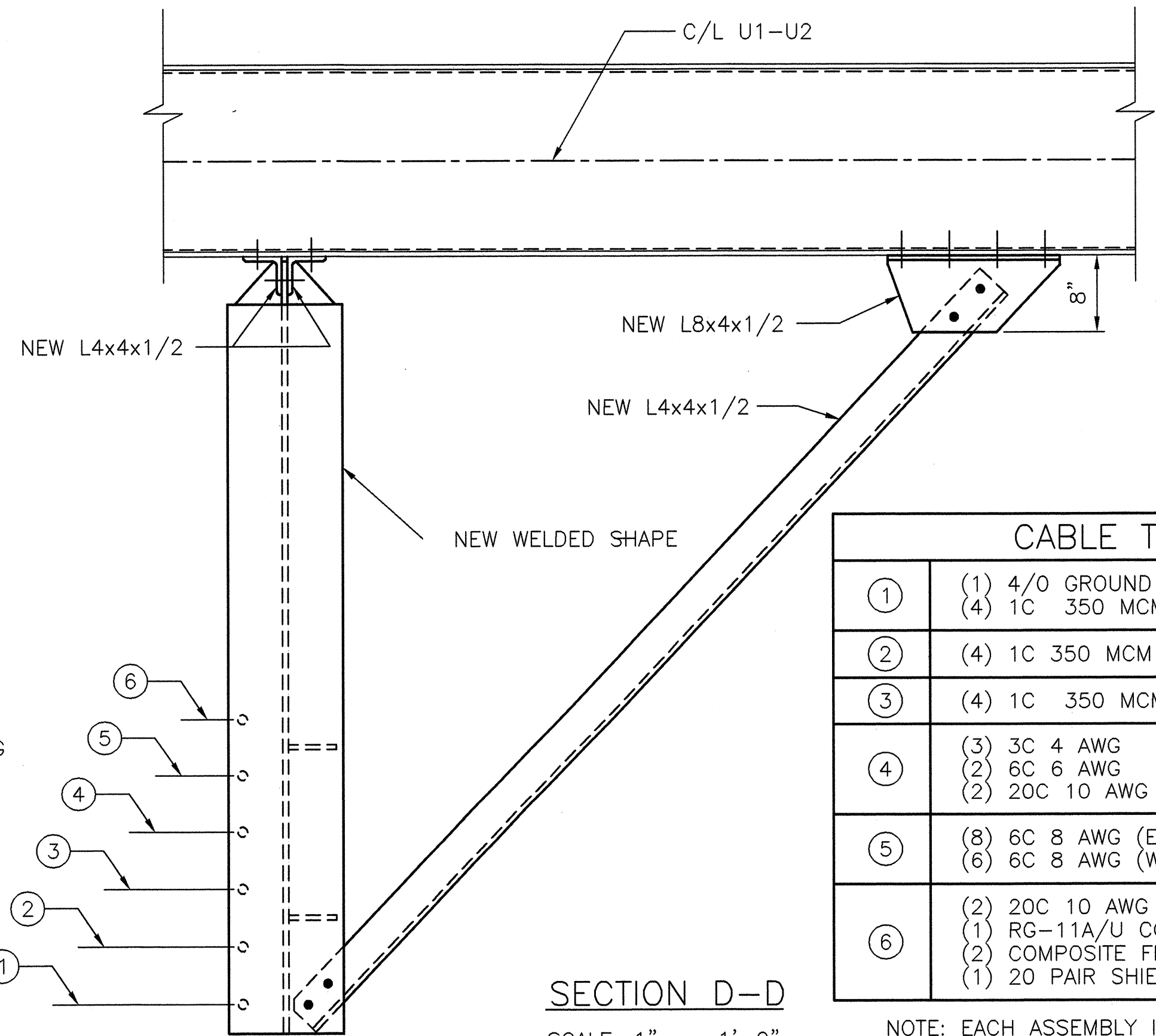


**DETAIL B**  
P.P. U1 SHOWN, P.P. U1' (OPPOSITE HAND)  
SCALE: 1" = 1'-0"



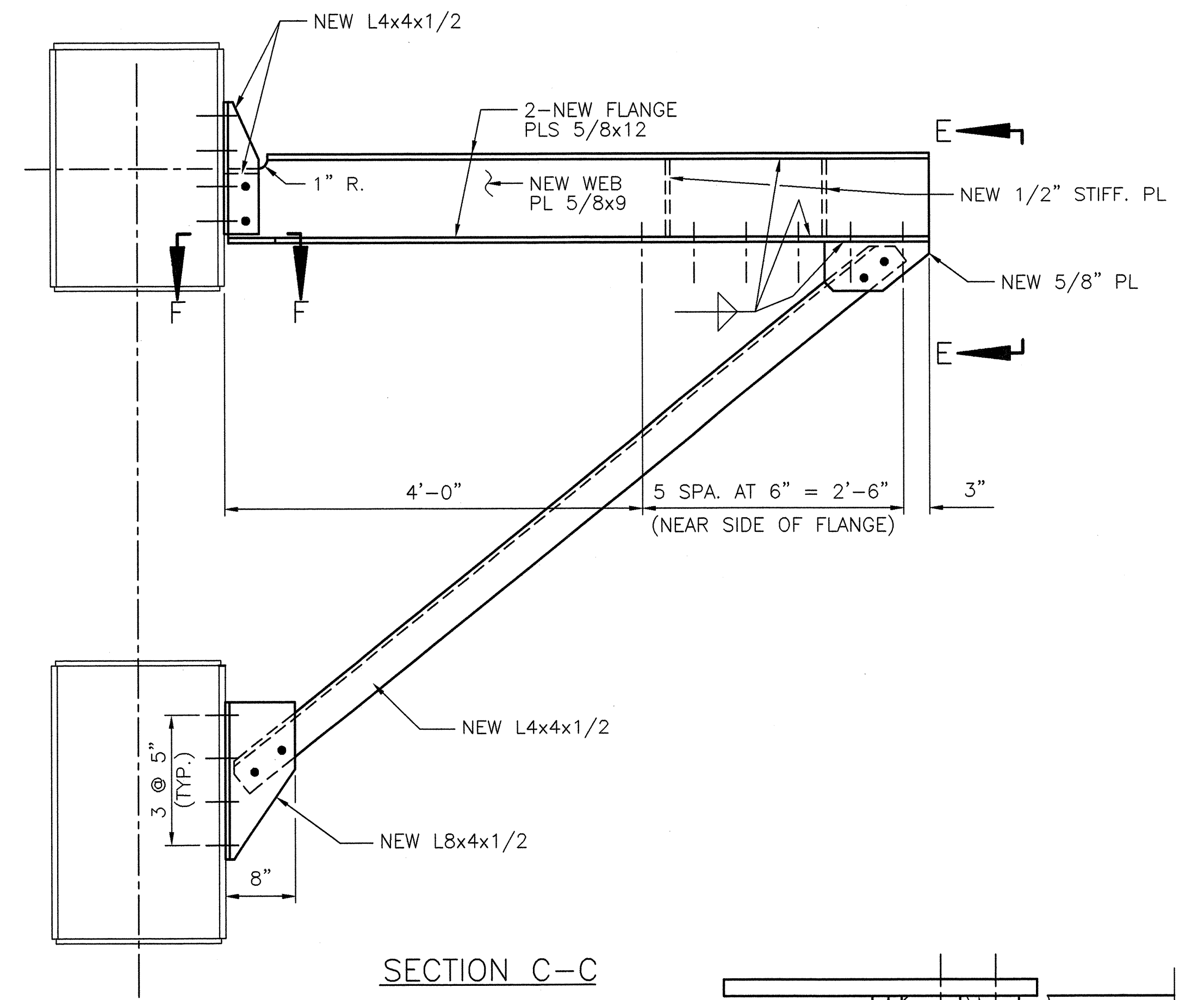
**SECTION F-F**  
SCALE: 1" = 1'-0"



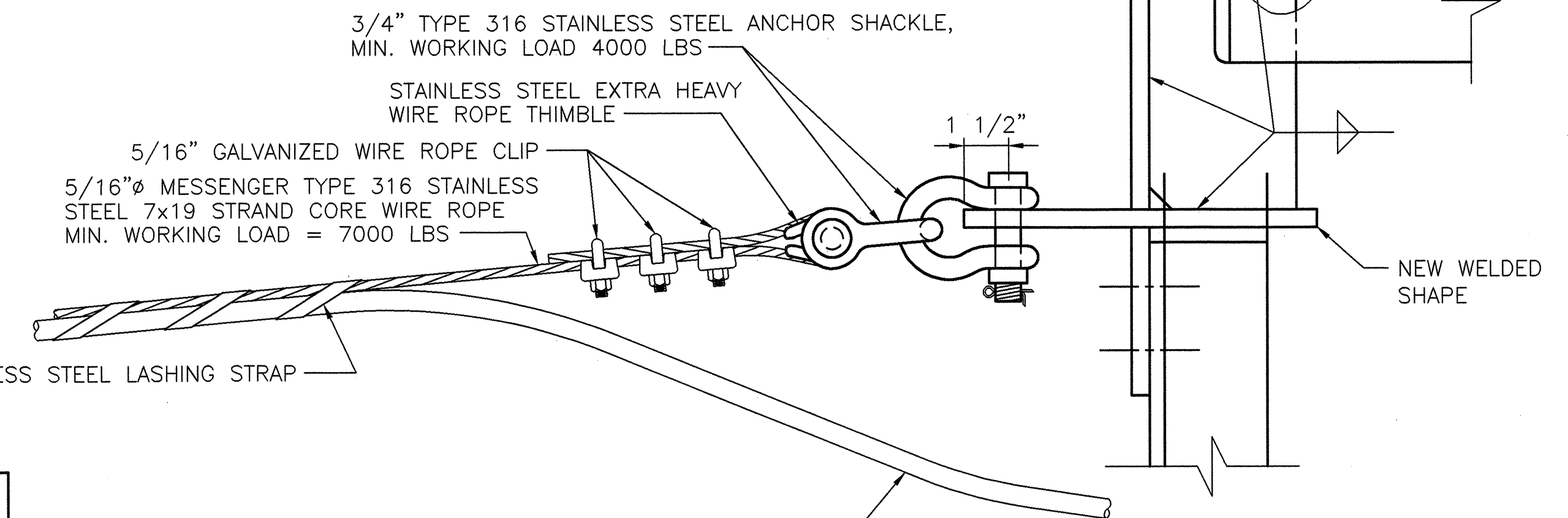
**SECTION D-D**  
SCALE: 1" = 1'-0"

CABLE TABULATION	
①	(1) 4/0 GROUND CABLE (4) 1C 350 MCM CABLE*
②	(4) 1C 350 MCM CABLE*
③	(4) 1C 350 MCM CABLE*
④	(3) 3C 4 AWG (2) 6C 6 AWG (2) 20C 10 AWG
⑤	(8) 6C 8 AWG (EAST) (6) 6C 8 AWG (WEST)
⑥	(2) 20C 10 AWG CABLES (1) RG-11A/U COAXIAL CABLES (2) COMPOSITE FIBER OPTIC/TWIN AXIAL CABLES (1) 20 PAIR SHIELDED AWG 16 CABLE

NOTE: EACH ASSEMBLY INCLUDES 5/16"Ø MESSENGER.  
(SEE NOTE 6)  
\*AT THE CONTRACTORS OPTION, FOUR CONDUCTOR, 350 MCM CABLE COMPLYING WITH PIECE NO. E205 ON THE EQUIPMENT SCHEDULE MAY BE SUBSTITUTED.

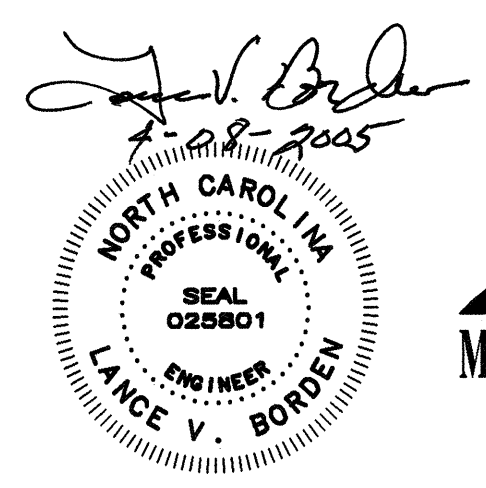


**SECTION C-C**  
SCALE: 1" = 1'-0"



**SECTION E-E**  
SCALE: 3" = 1'-0"

- NOTES:**
- PROVIDE 7/8 INCH DIAMETER A325 BOLTS.
  - PROVIDE STRUCTURAL STEEL CONFORMING TO A709-GR36 ASTM A36 STEEL MAY BE PROVIDED WITH APPROVAL OF THE ENGINEER.
  - SEE DRAWING NO. 4 FOR LOCATION OF DETAIL B.
  - PROVIDE A PAINT SYSTEM FOR ALL NEW STRUCTURAL STEEL, INCLUDING TOUCH-UP OF ALL AREAS DAMAGED BY THE CONTRACTOR, THAT IS IN CONFORMANCE WITH THE STANDARD SPECIFICATIONS, SECTION 1080-7, SELF-CURING INORGANIC ZINC PRIMER IN THE SHOP. APPLY TWO MORE COATS OF PAINT THAT IS APPROVED BY THE DEPARTMENT EXCEPT FOR FAYING SURFACES. THE TOP COAT OF PAINT SHALL NEARLY MATCH THE COLOR OF THE EXISTING BRIDGE PAINT. PRIOR TO ATTACHING NEW STRUCTURAL STEEL TO THE EXISTING STEEL STRUCTURE, THE FAYING SURFACE OF THE EXISTING STEEL SHALL BE SOLVENT CLEANED TO REMOVE DIRT AND OILS. THESE FAYING SURFACES SHALL BE ROUGHENED BY HAND WITH COARSE SANDPAPER.
  - VERIFY ALL DIMENSIONS, BOTH THOSE SHOWN AND THOSE NOT SHOWN, AND PROVIDE A COPY TO THE ENGINEER FOR APPROVAL PRIOR TO FABRICATION.
  - THE CABLE TABULATION IS BASED ON REQUIREMENTS FOR THE EQUIPMENT AS SHOWN ON THE PLANS AND DESCRIBED IN THE SPECIFICATIONS, INCLUDING SPARES, AND SHOULD BE CONSIDERED FOR REFERENCE ONLY. THE CONTRACTOR SHOULD PREPARE HIS OWN CABLE TABULATION BASED ON THE EQUIPMENT APPROVED FOR INSTALLATION. EACH CONDUCTOR SIZE SHALL INCLUDE A MINIMUM OF 50 PERCENT SPARES.



STATE OF NORTH CAROLINA DEPARTMENT OF TRANSPORTATION RALEIGH			
CAPE FEAR RIVER CROSSING WILMINGTON, NORTH CAROLINA			
AERIAL CABLE SUPPORT - 2			
DESIGNED	K.W. JOHNS	DATE	APRIL, 2005
CHECKED	M.C. IRWIN	DRAWING NO.	42 OF 53
DRAWN BY	S.L. HERB	SCALE	AS NOTED
Detailed	S.L. HERB	DATE	APRIL, 2005