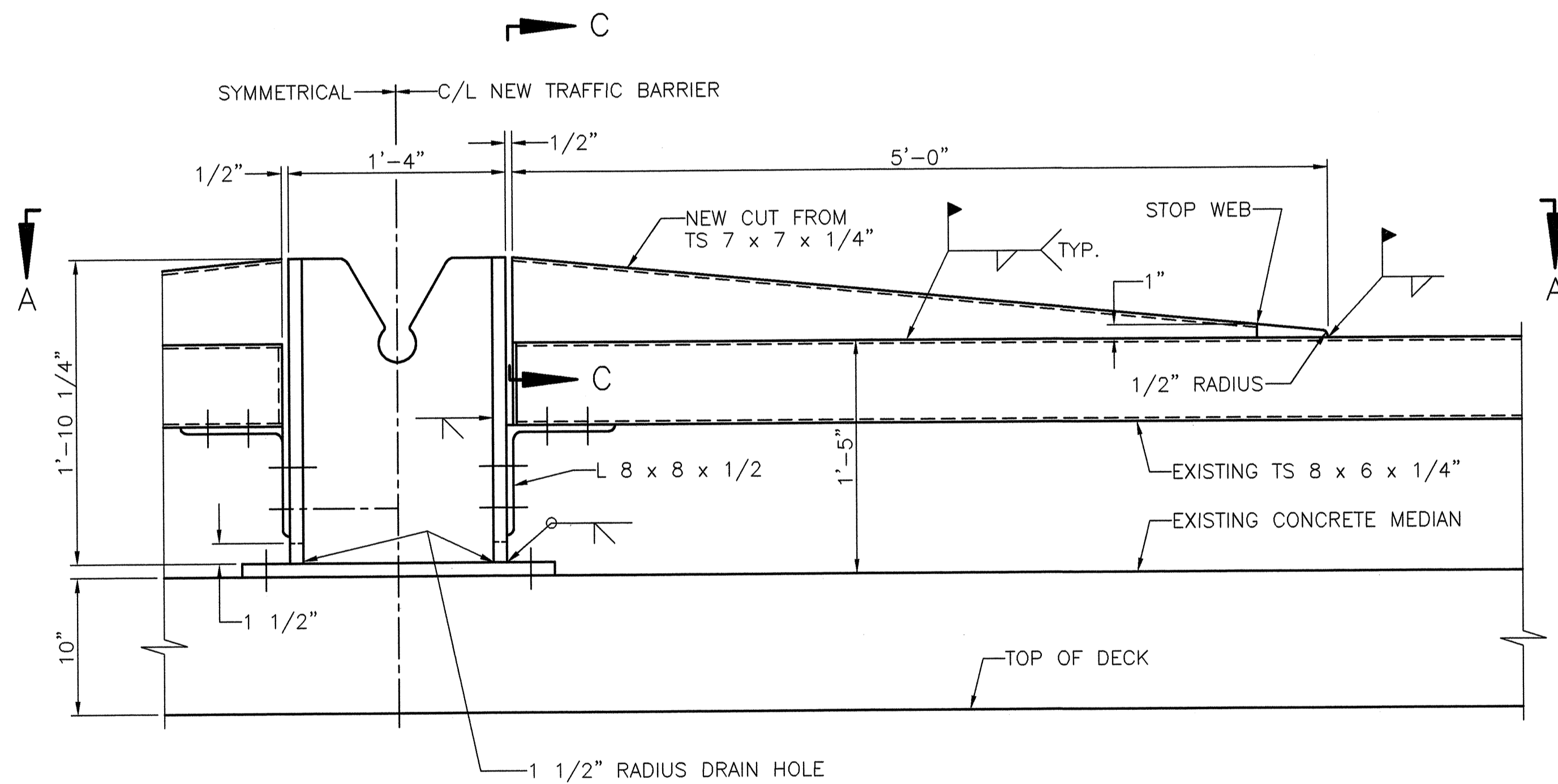
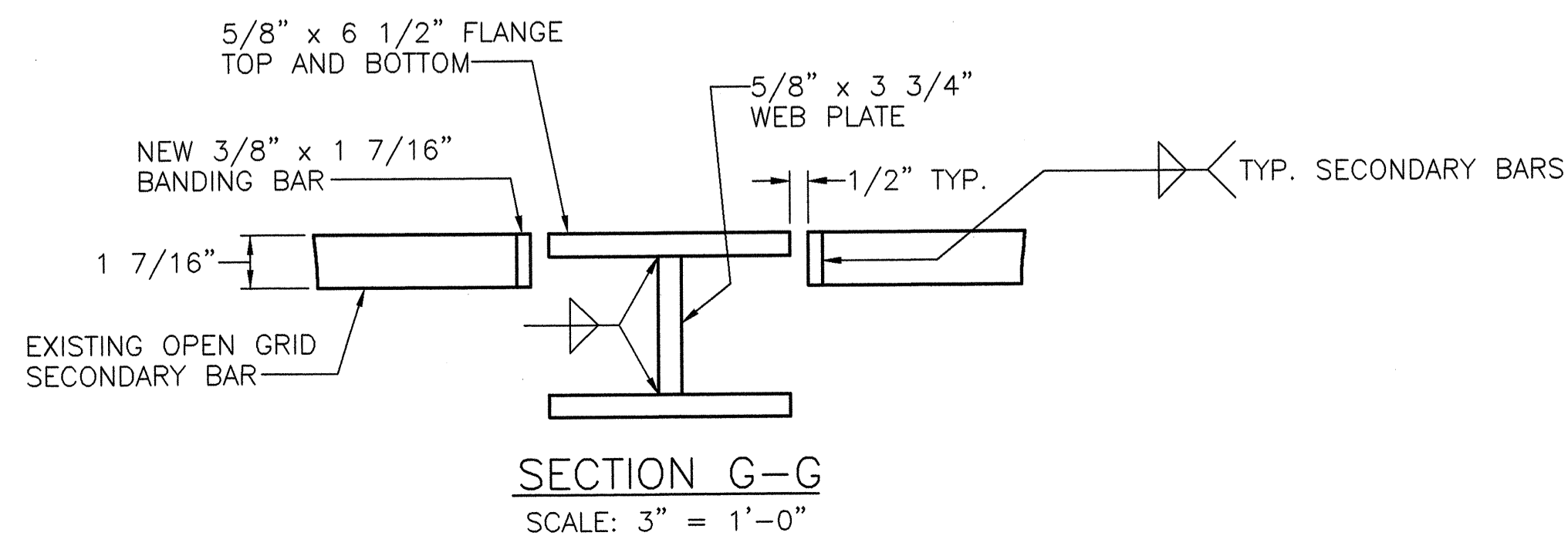


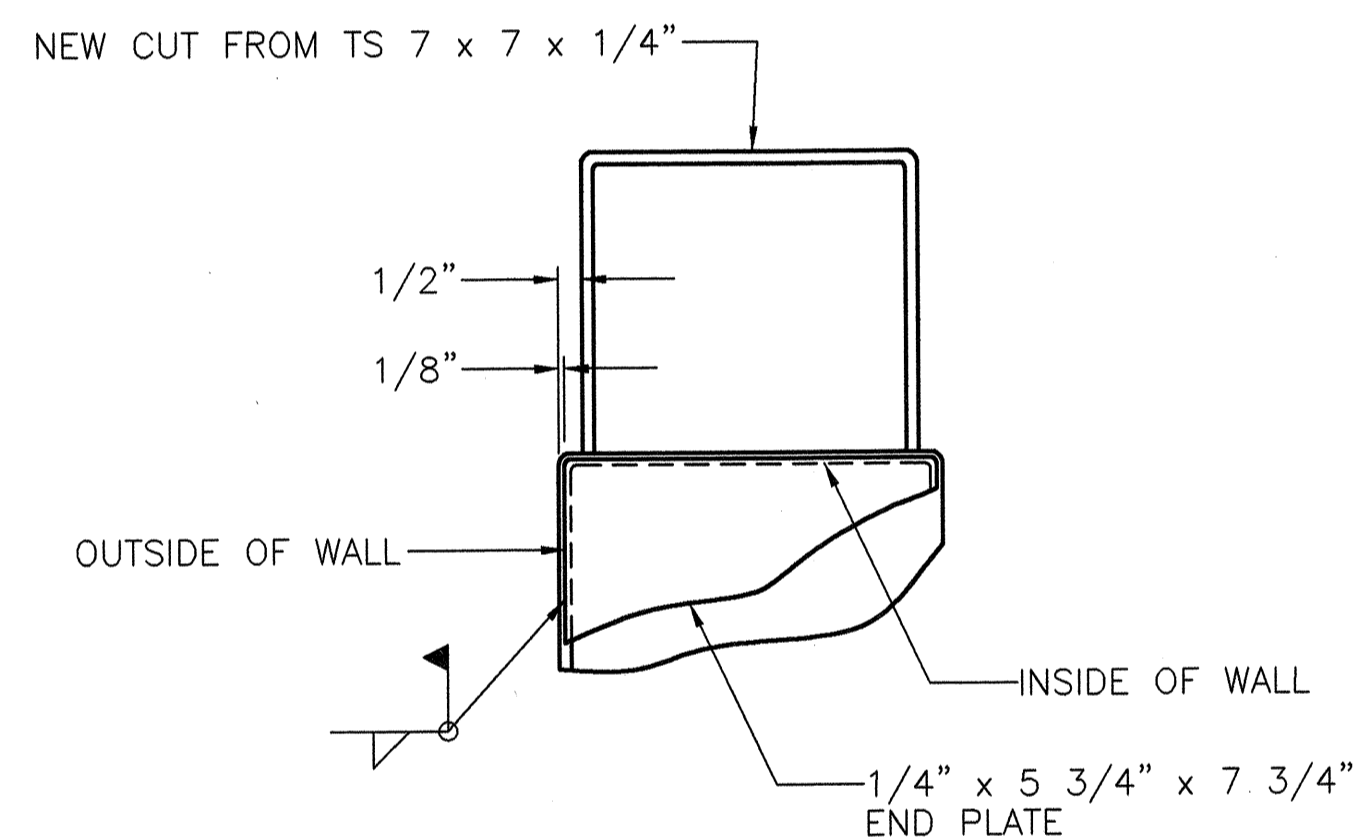
VIEW A-A
SCALE: 1 1/2" = 1'-0"



SECTION B-B
TRAFFIC BARRIER LATCHING DETAIL
SCALE: 1 1/2" = 1'-0"

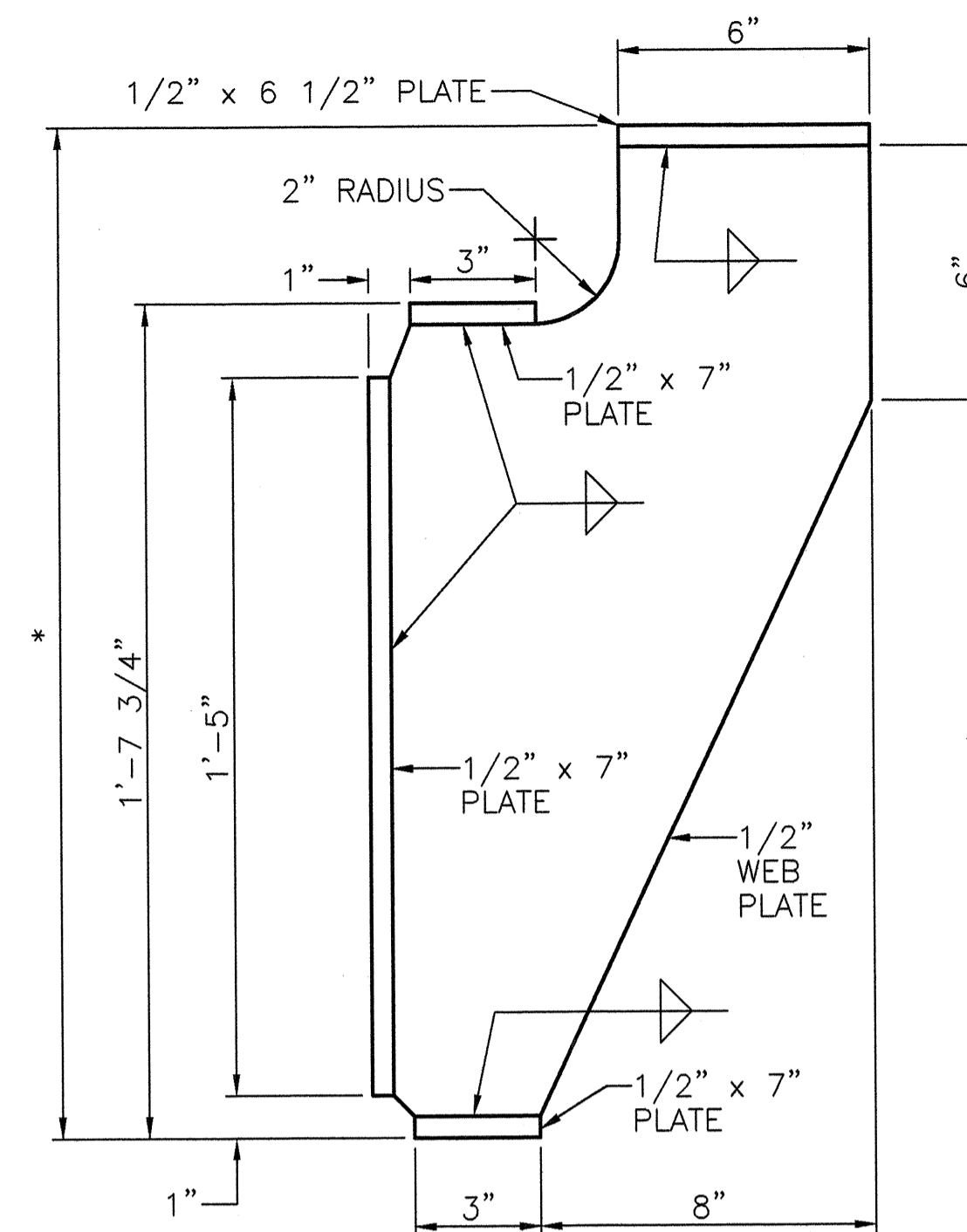


SECTION G-G
SCALE: 3" = 1'-0"

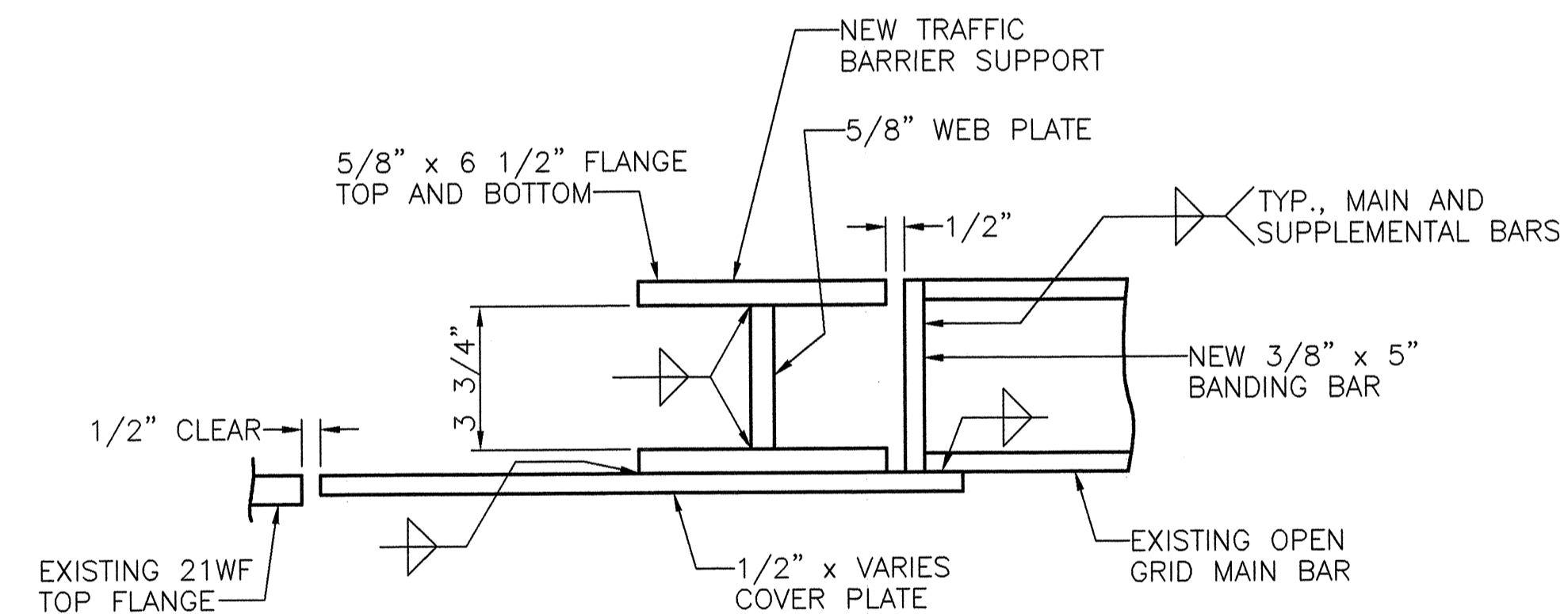


SECTION C-C
SCALE: 3" = 1'-0"

*SEE NOTE 7, ON DRAWING NO. 37



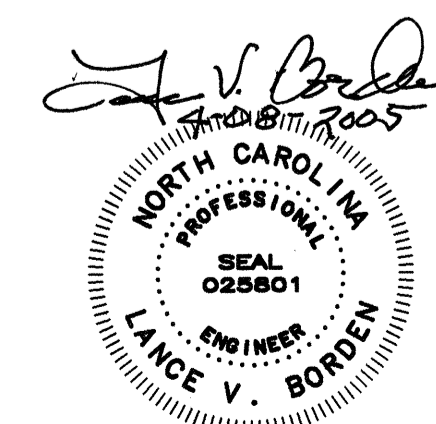
TRAFFIC BARRIER BRACKET
SCALE: 3" = 1'-0"



SECTION F-F SHOWN
SECTION F'-F' SIMILAR
SCALE: 3" = 1'-0"

NOTES:

1. FOR SECTION B-B, F-F, F'-F' AND G-G, SEE DRAWING NO. 47.



STATE OF NORTH CAROLINA
DEPARTMENT OF TRANSPORTATION
RALEIGH

CAPE FEAR RIVER CROSSING
WILMINGTON, NORTH CAROLINA

TRAFFIC BARRIER GATE DETAILS - 2

DESIGNED	K.W. JOHNS	DETAILED	R.L. REED	DATE	APRIL, 2005
CHECKED	M.C. IRWIN	CHECKED	M.C. IRWIN	DRAWING NO.	48 OF 53