

STATE OF NORTH CAROLINA  
DEPT. OF TRANSPORTATION  
DIVISION OF HIGHWAYS  
RALEIGH, N.C.

ENGLISH DETAIL DRAWING FOR  
**DROP INLET INSTALLATION IN EXPRESSWAY GUTTER**

SHEET 1 OF 1  
**846D02**

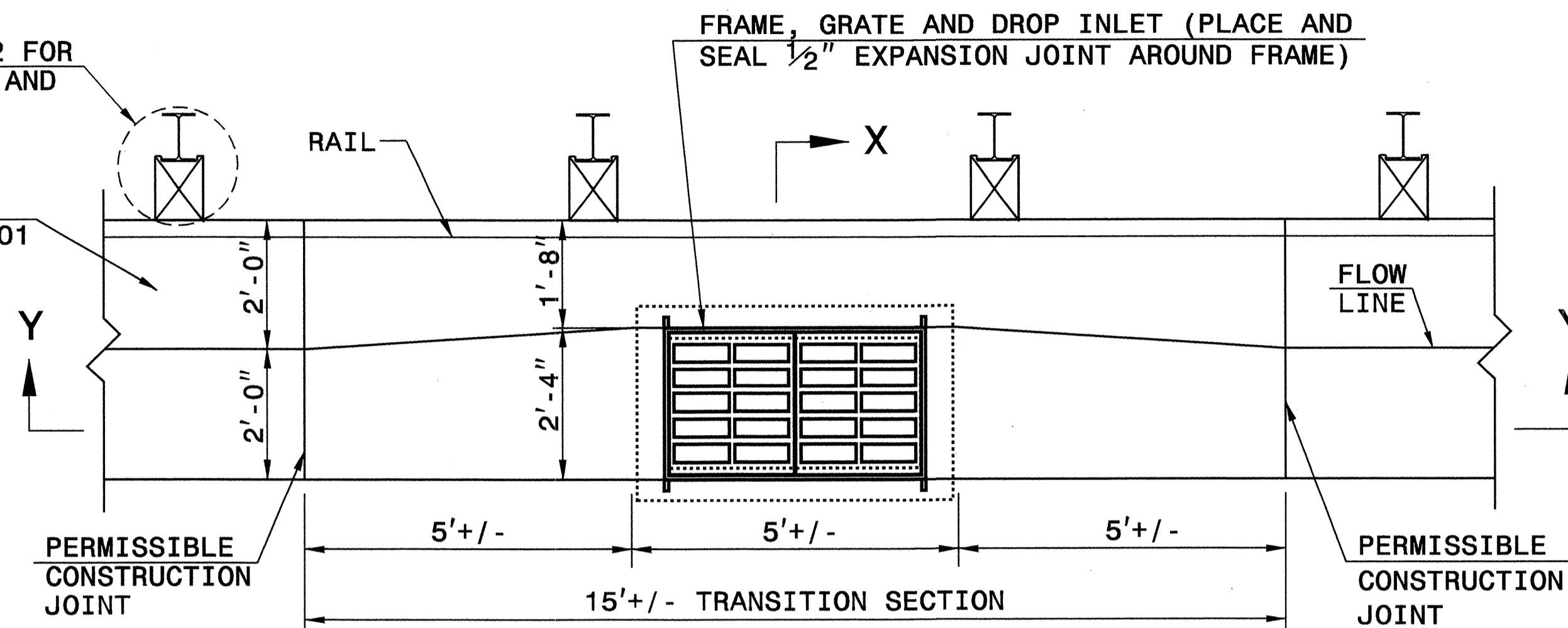
STATE OF NORTH CAROLINA  
DEPT. OF TRANSPORTATION  
DIVISION OF HIGHWAYS  
RALEIGH, N.C.

ENGLISH DETAIL DRAWING FOR  
**DROP INLET INSTALLATION IN EXPRESSWAY GUTTER**

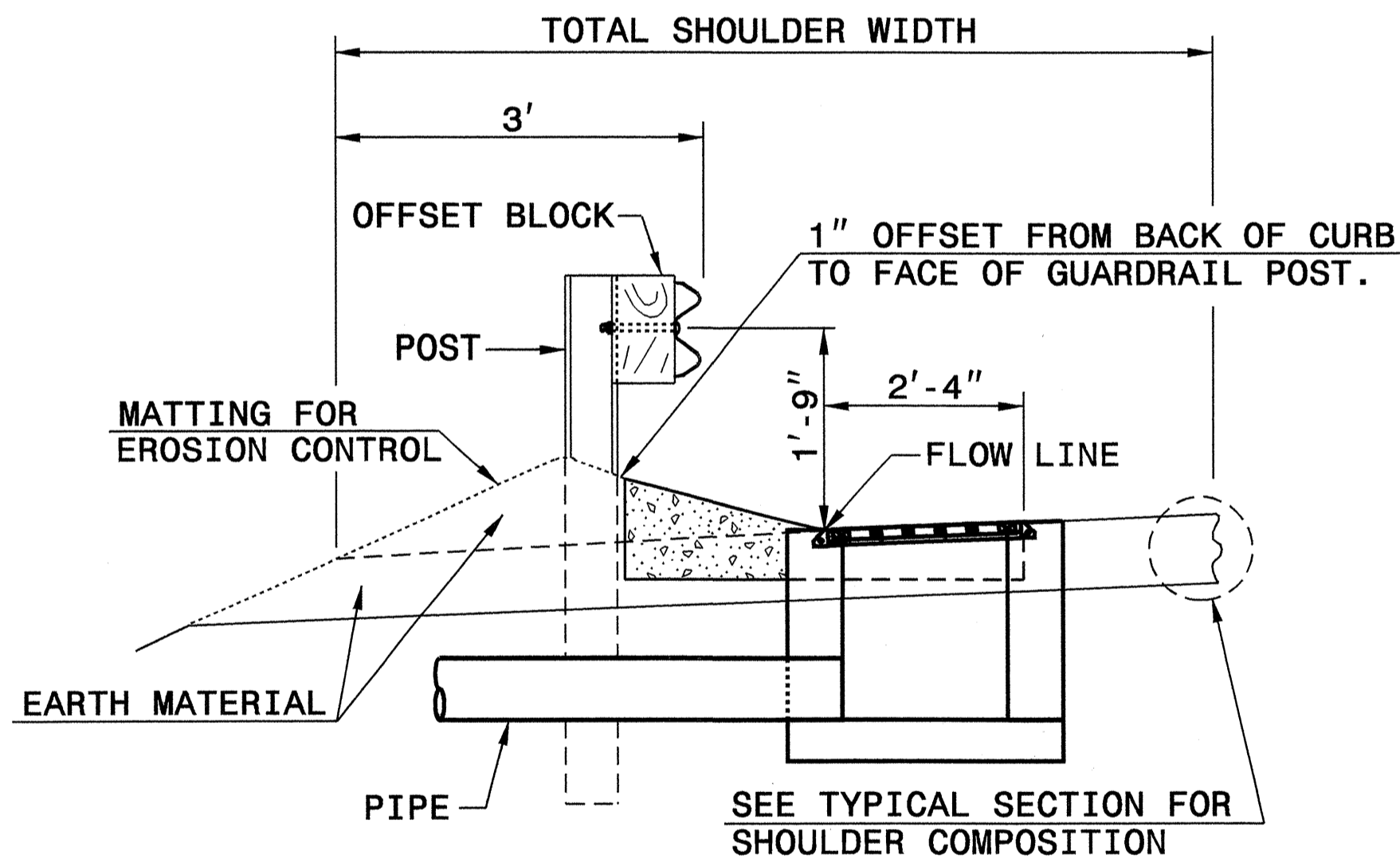
SHEET 1 OF 1  
**846D02**

GENERAL NOTES:  
-PAY FOR TRANSITION SECTION AS CONCRETE EXPRESSWAY GUTTER.  
-GUARDRAIL OPTIONAL

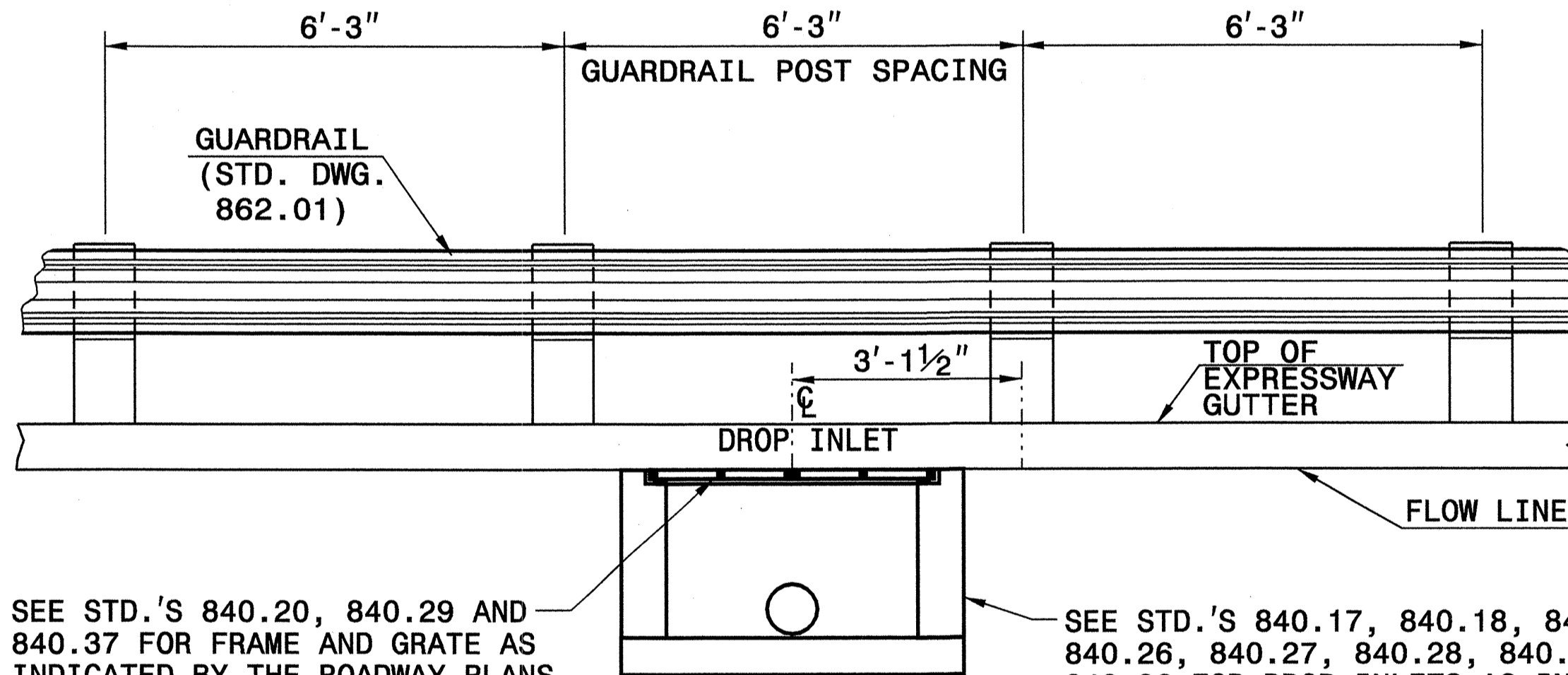
SEE STD. 862D02 FOR GUARDRAIL POST AND OFFSET BLOCKS  
EXPRESSWAY GUTTER SEE STANDARD 846.01



PLAN



SECTION X-X



SECTION Y-Y

**DROP INLET INSTALLATION IN EXPRESSWAY GUTTER**

07-APR-2004 16:52 M:\Special\_Details\english\stds\stds\02\stds\02stds\02stds\02stds.dgn

Professional Engineer Seal for Joe S. Howerton, No. 022966, dated 7/24/05.

DESIGN SERVICES UNIT  
STANDARDS AND SPECIAL DESIGN  
Office 919-250-4128 FAX 919-250-4119

**SEE PLATE FOR TITLE**

ORIGINAL BY: 2002 STANDARDS DATE: 01-15-02  
MODIFIED BY: E.E. WARD DATE: 04-07-04  
CHECKED BY: C.B. Perry DATE: 4-22-04  
FILE SPEC.: stds/02stds\stds\english\846d02.dgn