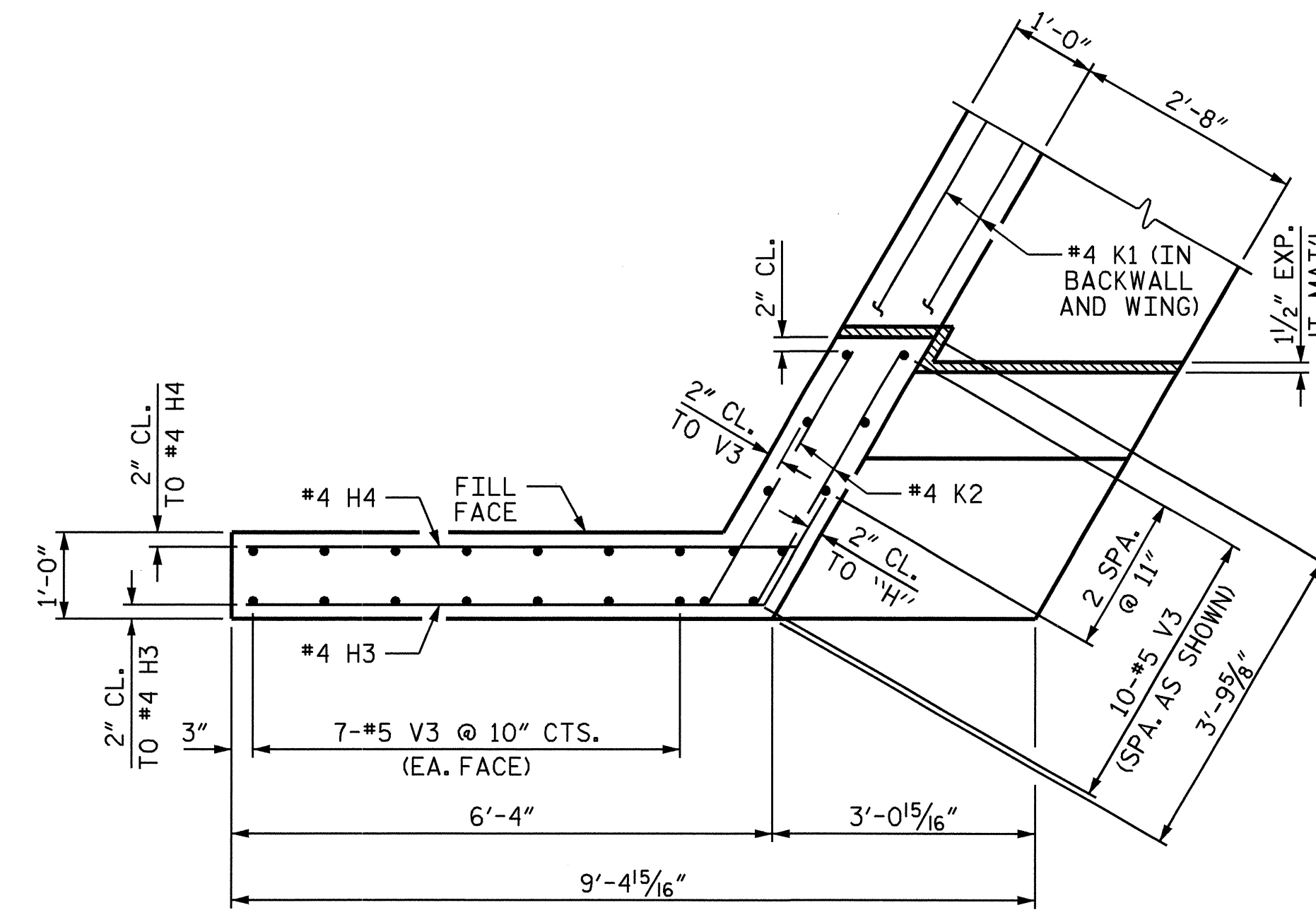
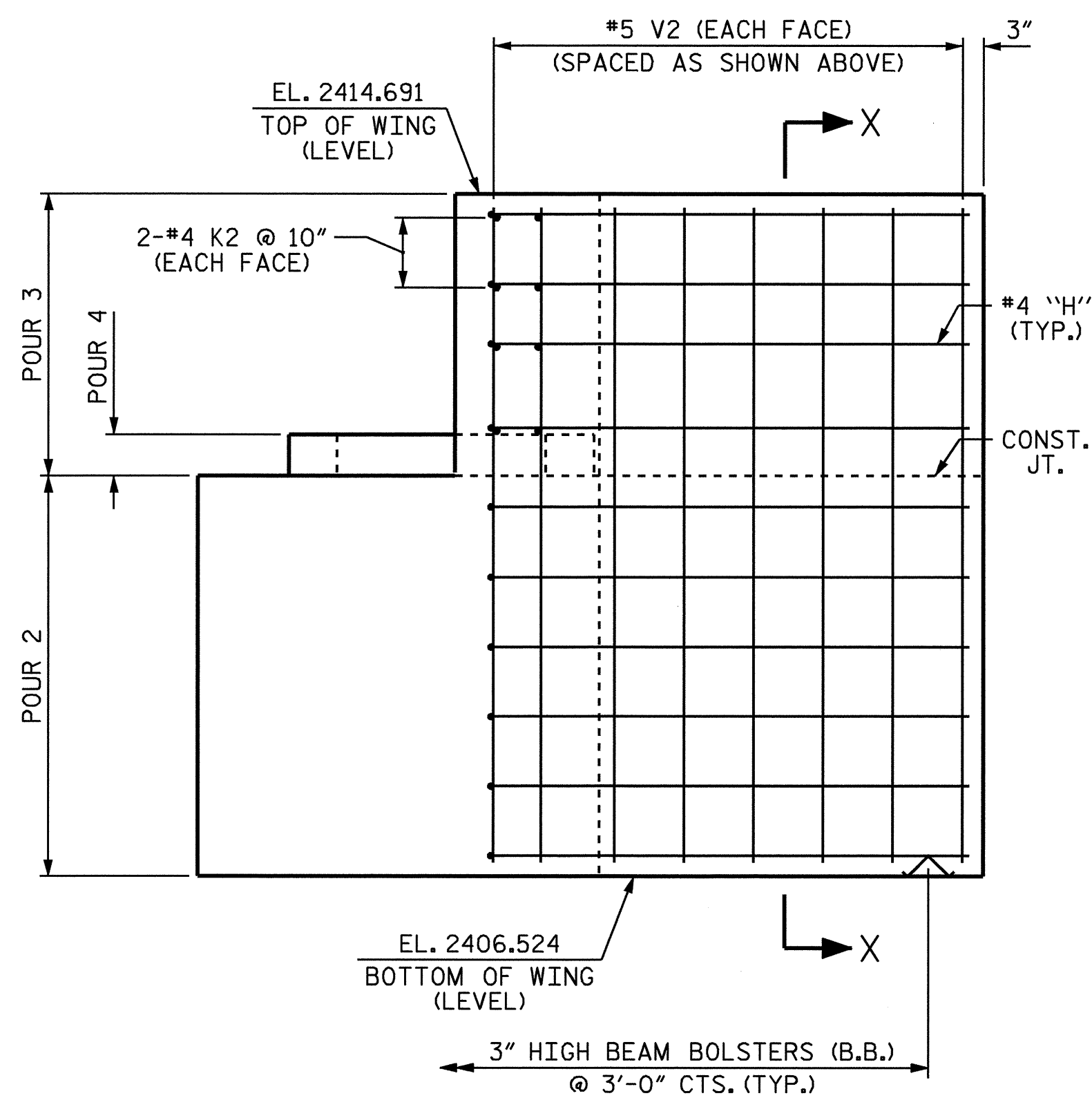


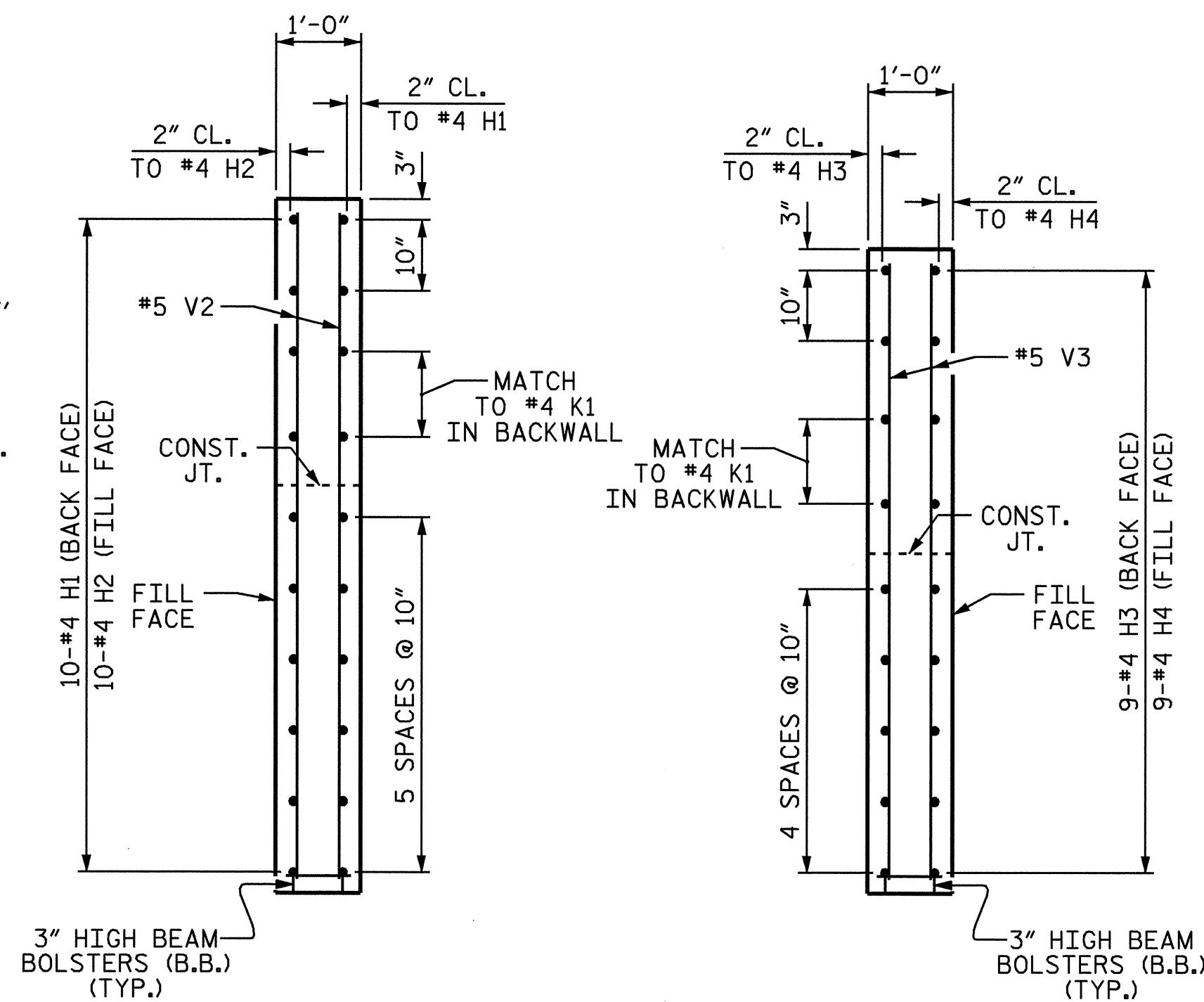
PLAN OF WING (W1)



PLAN OF WING (W2)

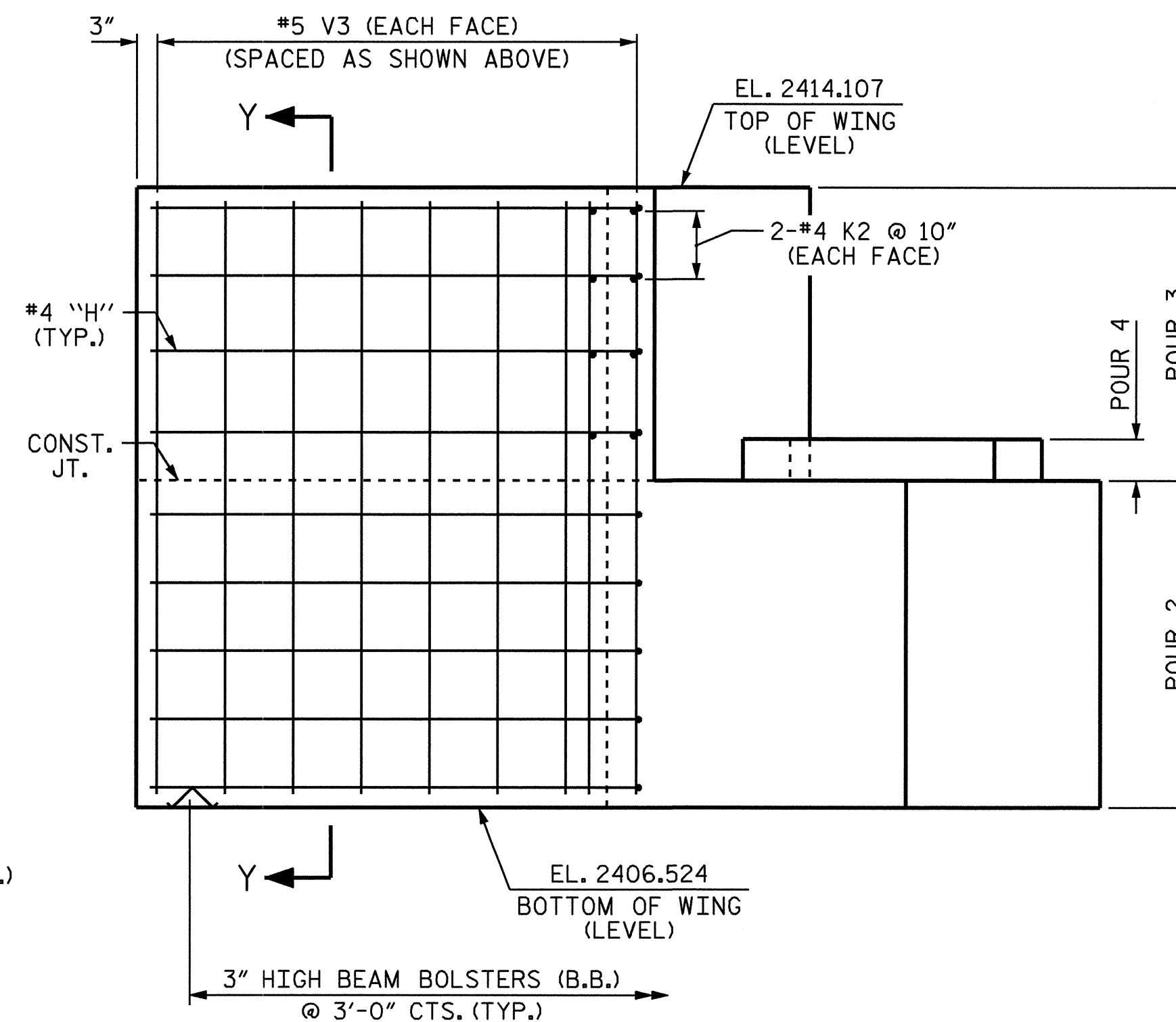


ELEVATION OF WING (W1)

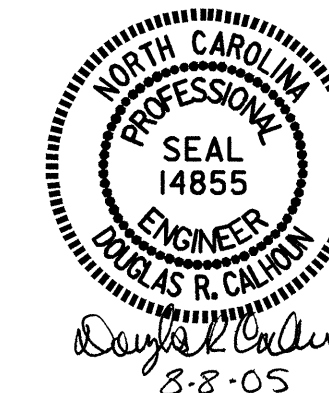


SECTION X-X

SECTION Y-Y



ELEVATION OF WING (W2)



PROJECT NO. B-3205
 MADISON COUNTY
 STATION: 14+81.00 -L-

SHEET 2 OF 3

STATE OF NORTH CAROLINA
 DEPARTMENT OF TRANSPORTATION
 RALEIGH

SUBSTRUCTURE
 END BENT 1

DRAWN BY: T. A. HARRIS DATE: 5/26/05
 CHECKED BY: K. P. SEDAİ DATE: 6/17/05

08-AUG-2005 12:38
 R:\Structures\B3205\Taharris\Microstation\B-3205.ed.E*.01.dgn
 taharris

REVISIONS						SHEET NO.
NO.	BY:	DATE:	NO.	BY:	DATE:	S-14
1			3			TOTAL SHEETS
2			4			21