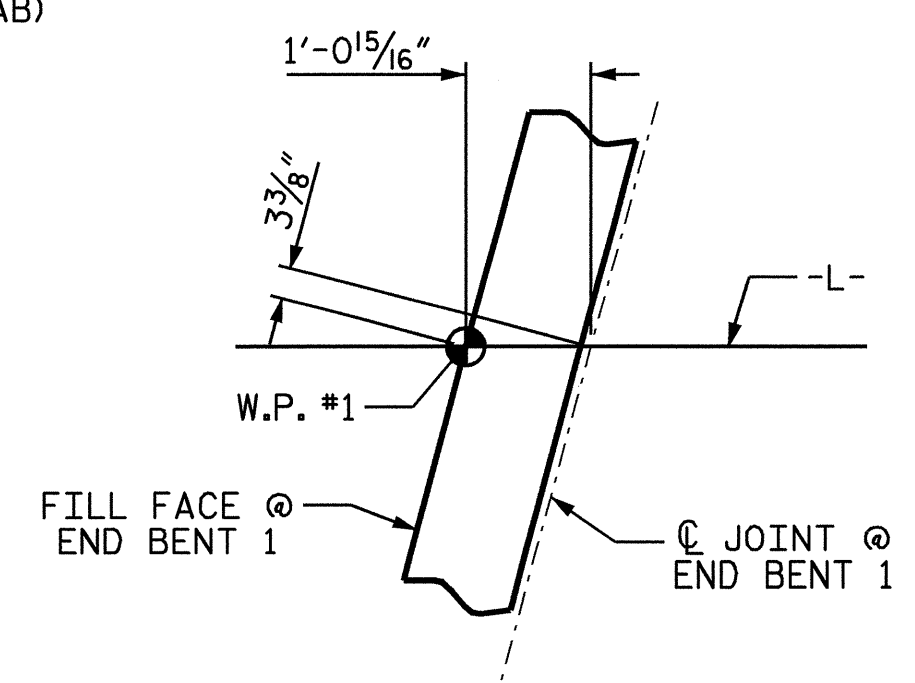


PLAN OF SPAN A

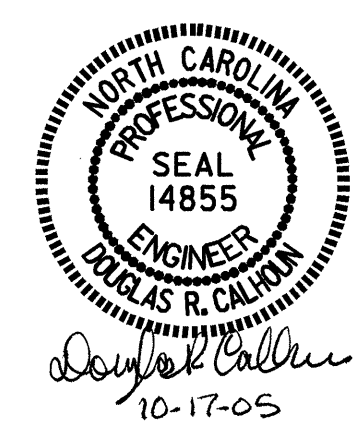
FOR CONCRETE PARAPET REINFORCING STEEL AND DETAILS, SEE "SUPERSTRUCTURE CONCRETE PARAPET DETAILS" SHEETS.
 FOR LOCATION OF INTERMEDIATE DIAPHRAGMS SEE "SUPERSTRUCTURE FRAMING PLAN" SHEET.



DETAIL A

(END BENT 1 SHOWN, END BENT 2 SIMILAR)

PROJECT NO. **B-3805**
ASHE COUNTY
 STATION: **10+63.50 -L-**



STATE OF NORTH CAROLINA
 DEPARTMENT OF TRANSPORTATION
 RALEIGH
**SUPERSTRUCTURE
 PLAN OF SPAN A**

DRAWN BY: T. A. HARRIS DATE: 12/1/04
 CHECKED BY: T. L. CLELLAND DATE: 12/16/04

REVISIONS						SHEET NO. S-5
NO.	BY:	DATE:	NO.	BY:	DATE:	
1			3			TOTAL SHEETS
2			4			26