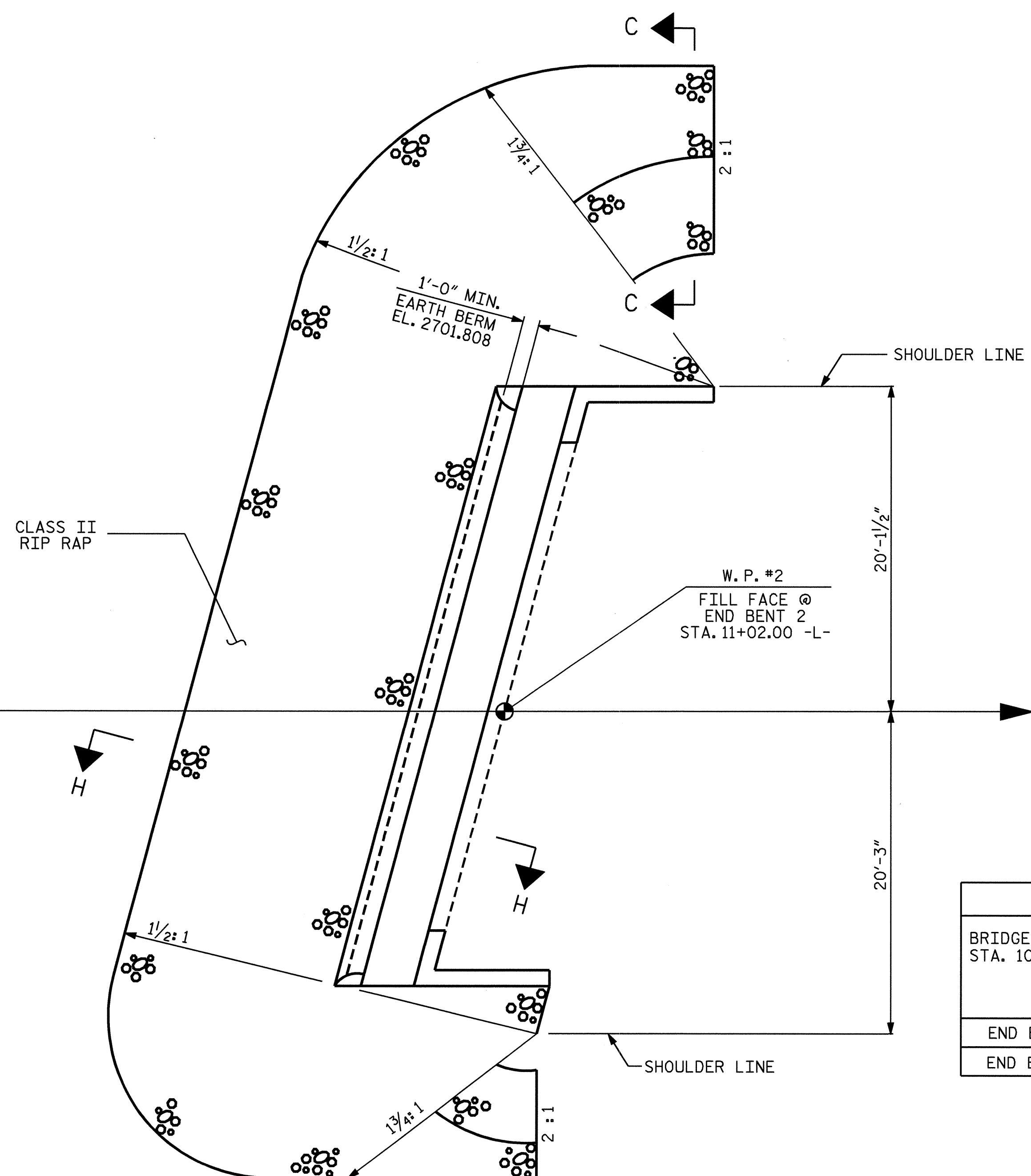


END BENT 1



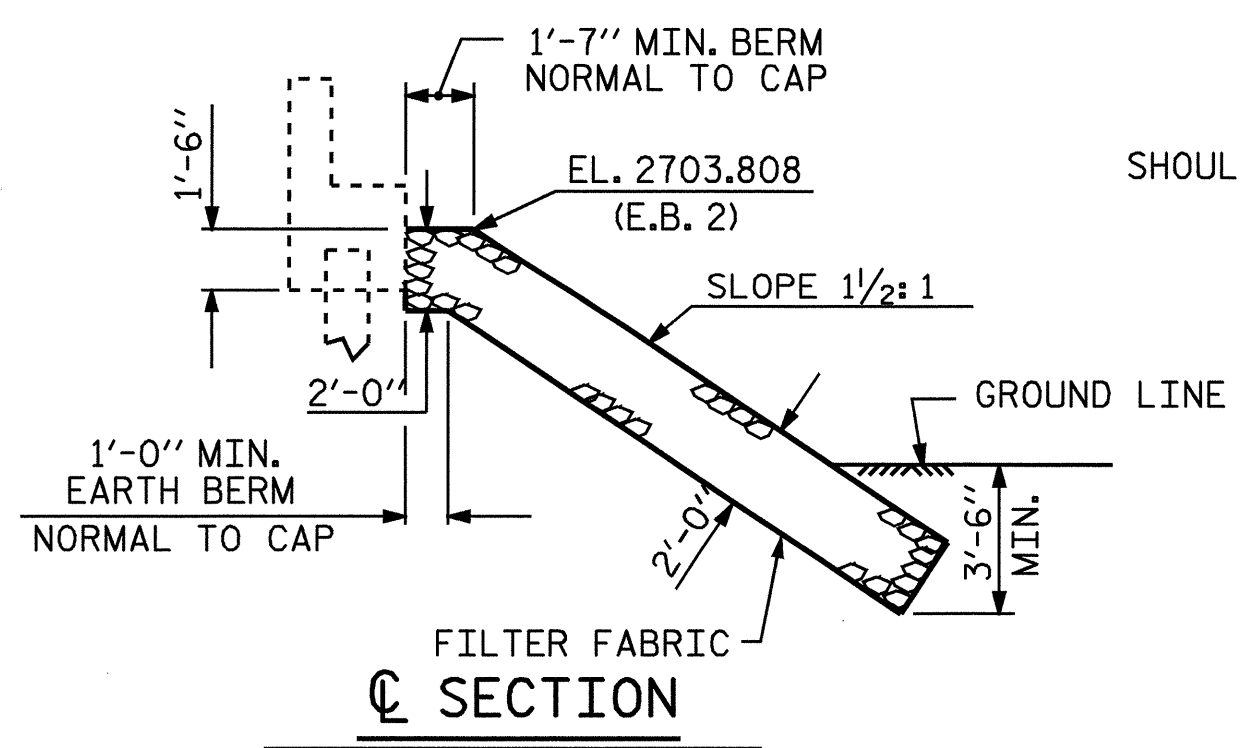
END BENT 2

PLAN OF RIP RAP

ESTIMATED QUANTITIES		
BRIDGE @ STA. 10+63.50 -L-	PLAIN RIP RAP CLASS II	FILTER FABRIC FOR DRAINAGE
	TONS	SQUARE YARDS
END BENT 1	20	22
END BENT 2	150	167

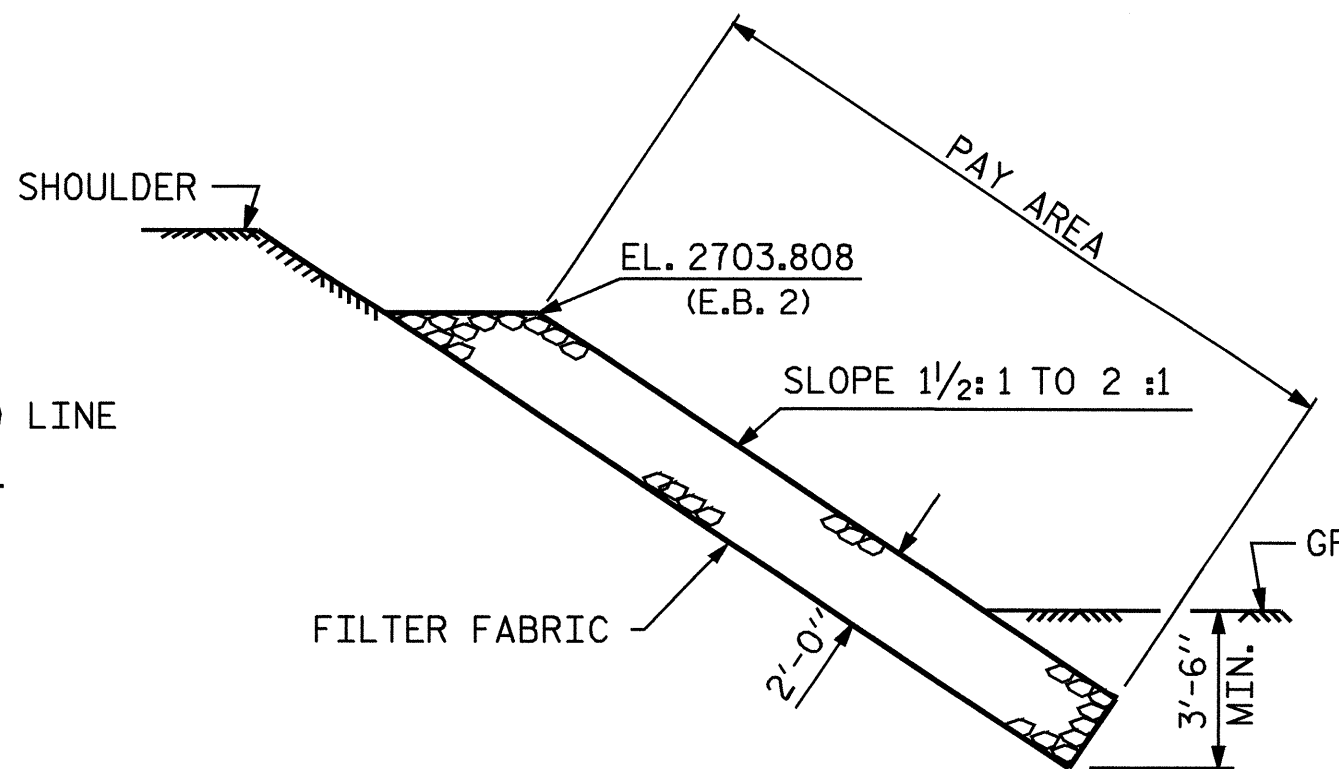


PROJECT NO. B-3805  
ASHE COUNTY  
 STATION: 10+63.50 -L-



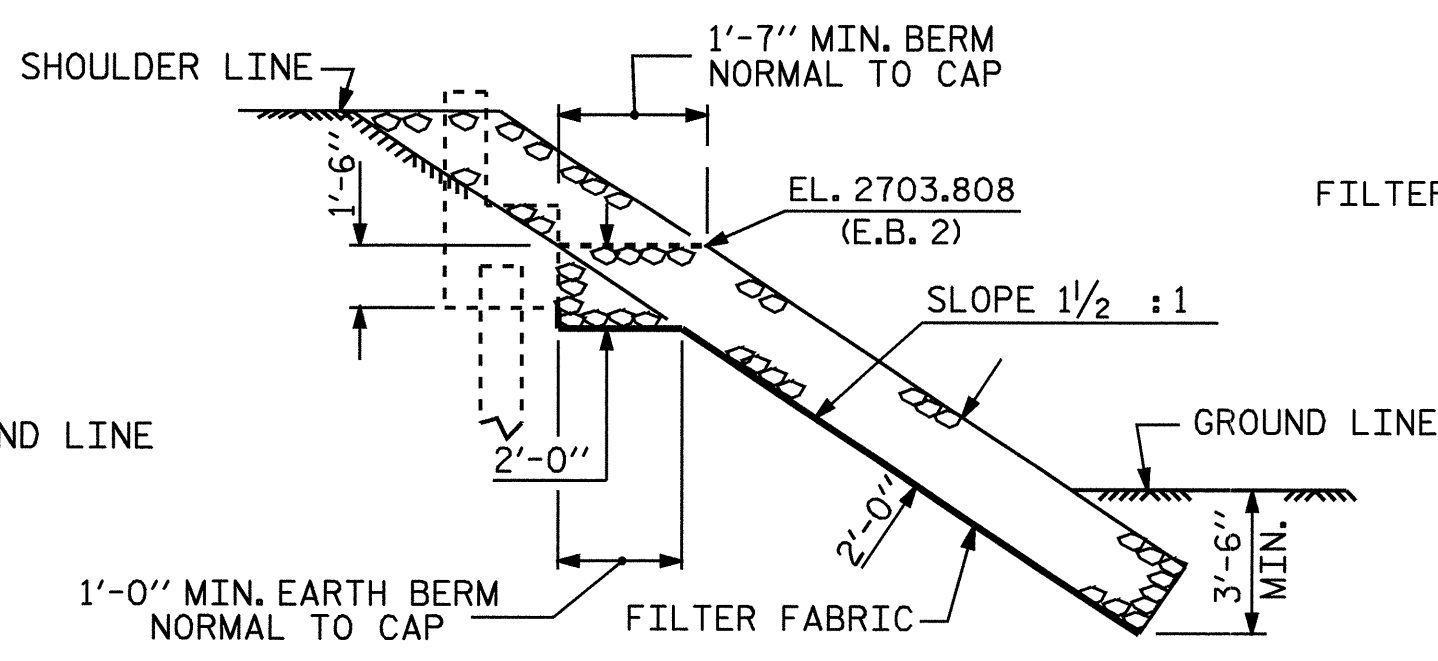
BERM RIP RAPPED

(END BENT 2)



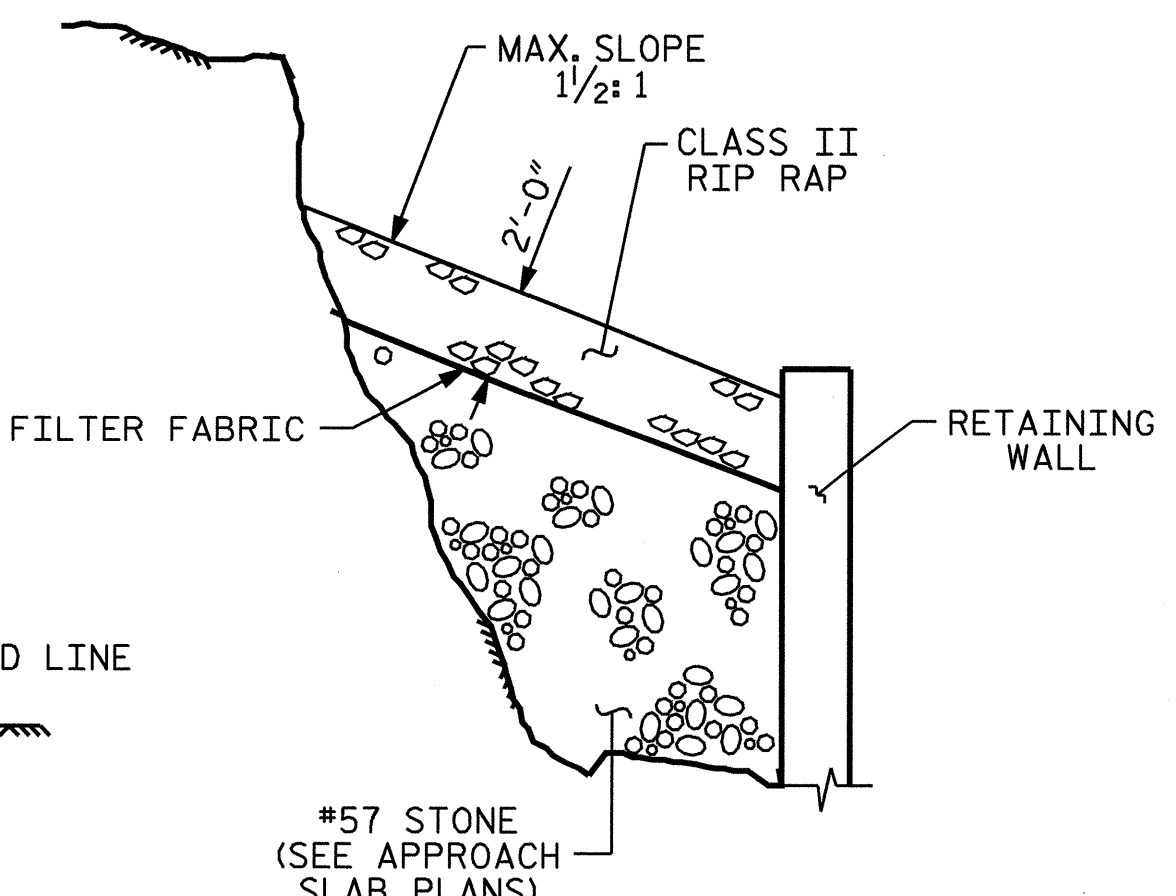
SECTION C-C

(END BENT 2)



SECTION H-H

(END BENT 2)



SECTION D-D

(END BENT 1)

DRAWN BY : J.B. WILSON DATE : 9/27/05  
 CHECKED BY : K.P. SEDAI DATE : 10/3/05

STATE OF NORTH CAROLINA  
 DEPARTMENT OF TRANSPORTATION  
 RALEIGH

RIP RAP DETAILS

REVISIONS						SHEET NO. S-23
NO.	BY:	DATE:	NO.	BY:	DATE:	
1			3			TOTAL SHEETS 26
2			4			